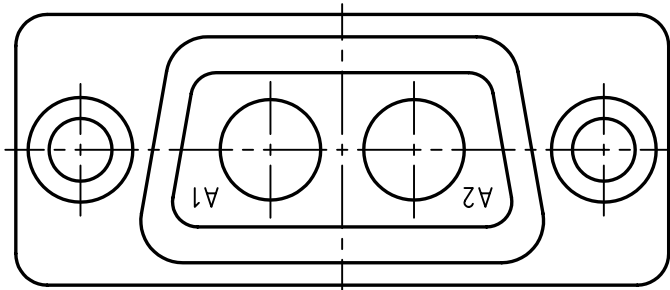
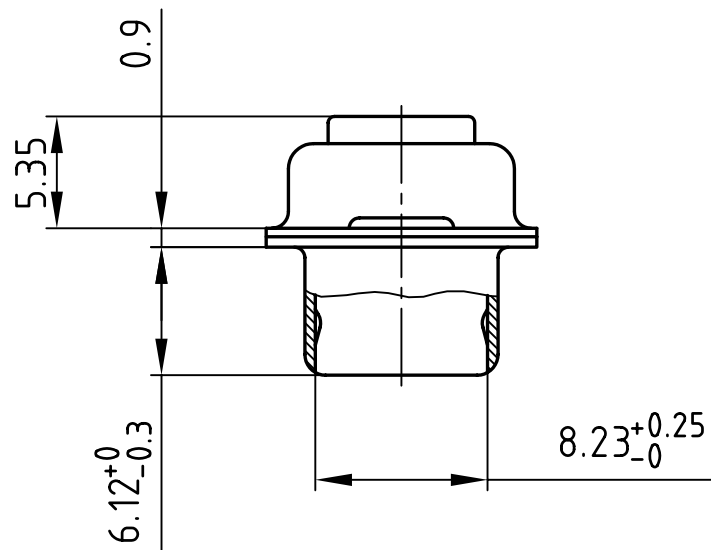
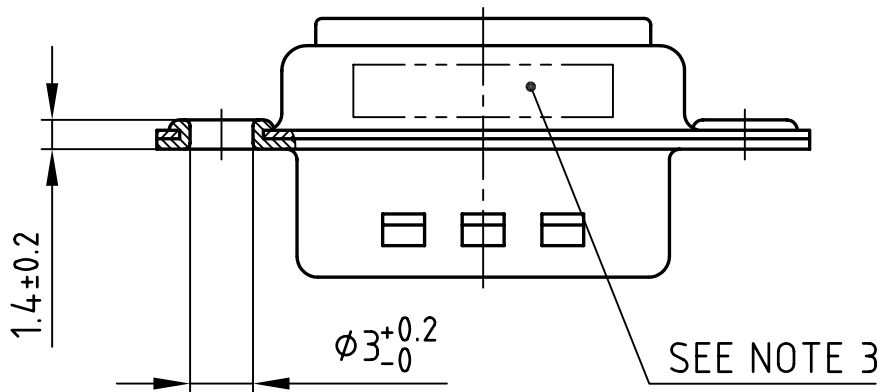
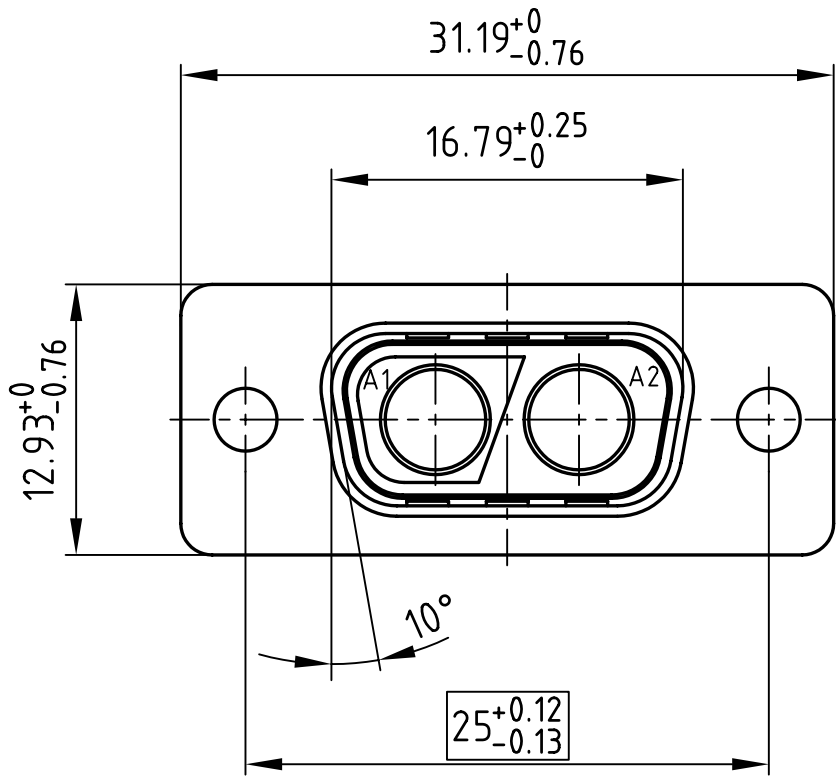


used for: D-SUB COMBINATION



NOTES:

1. METALSHELLS: STEEL: TIN PLATED
2. INSULATOR: PBTP GF UL 94 V-0; GREEN
3. CONNECTOR IS PART MARKED: PART-NO. CONEC Y/WW
4. = CRITICAL DIMENSION

Directive 2002/95/EC
„RoHS“
Compliant

THIS DRAWING MAY NOT BE COPIED OR REPRODUCED IN ANY WAY, AND MAY NOT BE PASSED ON TO A THIRD PARTY WITHOUT WRITTEN PERMISSION.
OWNERSHIP AND COPYRIGHT OF CONEC GmbH
DO NOT ALTER CAD DRAWING BY HAND

rev.	description	date	name	tolerance		
		1998	date		name	
		drawn	16.10.		Barcinski	
		appd.	16.10.		Mickenbecker	
		norm				
		d-old				
				CONEC®		

scale:	2:1	
material:	SEE NOTES	
title:	D-SUB COMBINATION MALE 2W2CP WITHOUT CONTACTS	
dwg no:	AutoCAD/REL.13	DIN-A
	13K1IJ8A	4
		sh: 1/1
part no:	302W2CPXX99A10X	

A

A

4

3

2

1

Mouser Electronics

Authorized Distributor

Click to View Pricing, Inventory, Delivery & Lifecycle Information:

[CONEC:](#)

[302W2CPXX99A10X](#)