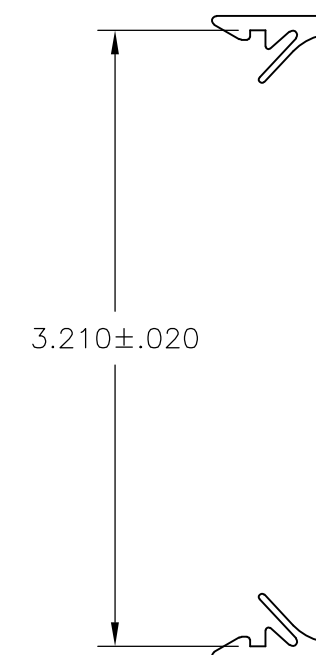
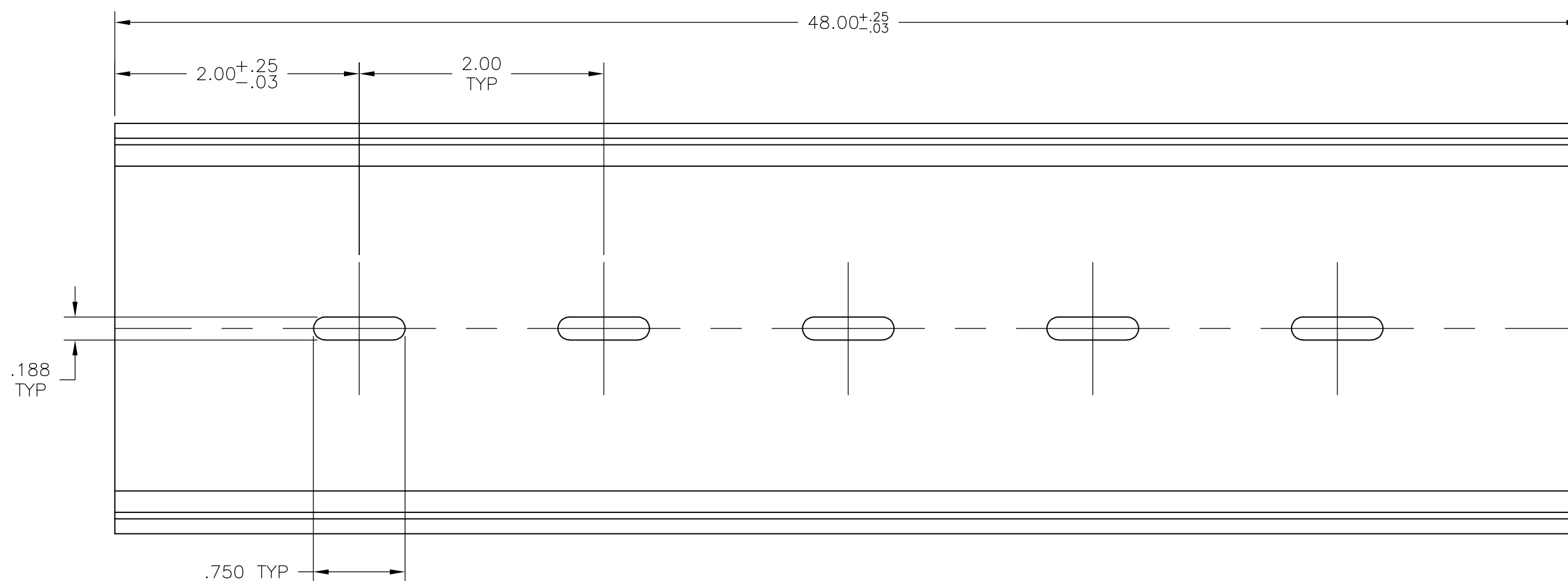


THIS DRAWING IS UNPUBLISHED. RELEASED FOR PUBLICATION
 © COPYRIGHT BY TYCO ELECTRONICS CORPORATION. ALL INTERNATIONAL RIGHTS RESERVED.

LOC		DIST		REVISIONS			
P	LTR	DESCRIPTION	DATE	DWN	APVD		
-	-	A	-	5/6/09	SS	CR	

1. ALL DIMENSIONS ARE ±.015 UNLESS OTHERWISE NOTED.
2. MATERIAL: RIGID, PVC, COLOR: GRAY
3. RECOMMENDED PC BOARD WIDTH 3.25".



3TK2-48	3-1437685-1
CATALOG NUMBER	PART NUMBER

THIS DRAWING IS A CONTROLLED DOCUMENT.		DWN	S SCHLEGEL	5/6/09	Tyco Electronics Corporation Harrisburg, PA 17105-3608	
DIMENSIONS: INCHES		CHK	C RICARD	5/6/09	NAME	
TOLERANCES UNLESS OTHERWISE SPECIFIED:		APVD	C RICARD	5/6/09	3TK2 SNAPTRACK	
0 PLC ± -		PRODUCT SPEC	-			
1 PLC ± -		APPLICATION SPEC	-			
2 PLC ± .02		WEIGHT	-	SIZE	A2	RESTRICTED TO
3 PLC ± .005		CUSTOMER DRAWING	-	CAGE CODE	00779	-
4 PLC ± -		SCALE	NTS	DRAWING NO	3-1437685-1	
ANGLES ± 1°		SHEET	1 of 1	REV	A	
FINISH		-				

Mouser Electronics

Authorized Distributor

Click to View Pricing, Inventory, Delivery & Lifecycle Information:

[TE Connectivity:](#)

[3TK2-48](#) [3-1437685-1](#)