

**Notes:**

1. Material and Finish:

- Coupler Ring: Polyester (Black); UL94 V-0
- Plug Housing: Polyester (Black); UL94 V-0
- Cable Gland: PA (Black), UL94 V-0
- Cable Gland Rubber Ring: NBR, Color: Black
- Cable Fitting: PA (Black), UL94 V-0
- Interfacial Seal: Silicone, Color: White

(f) Duplex LC Connector

- Housing: PEI, UL94 V-0,

(e) (b) Color: **SM Blue/MM Beige/APC SM Green**

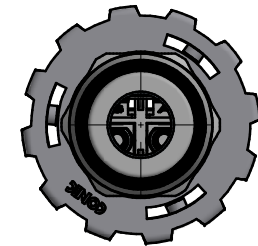
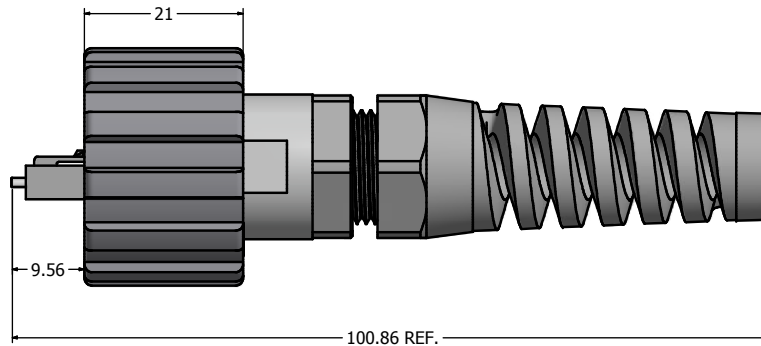
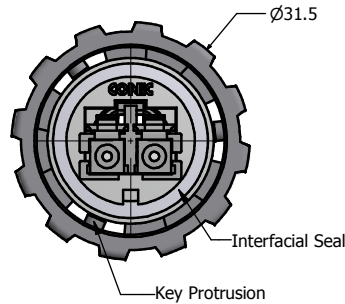
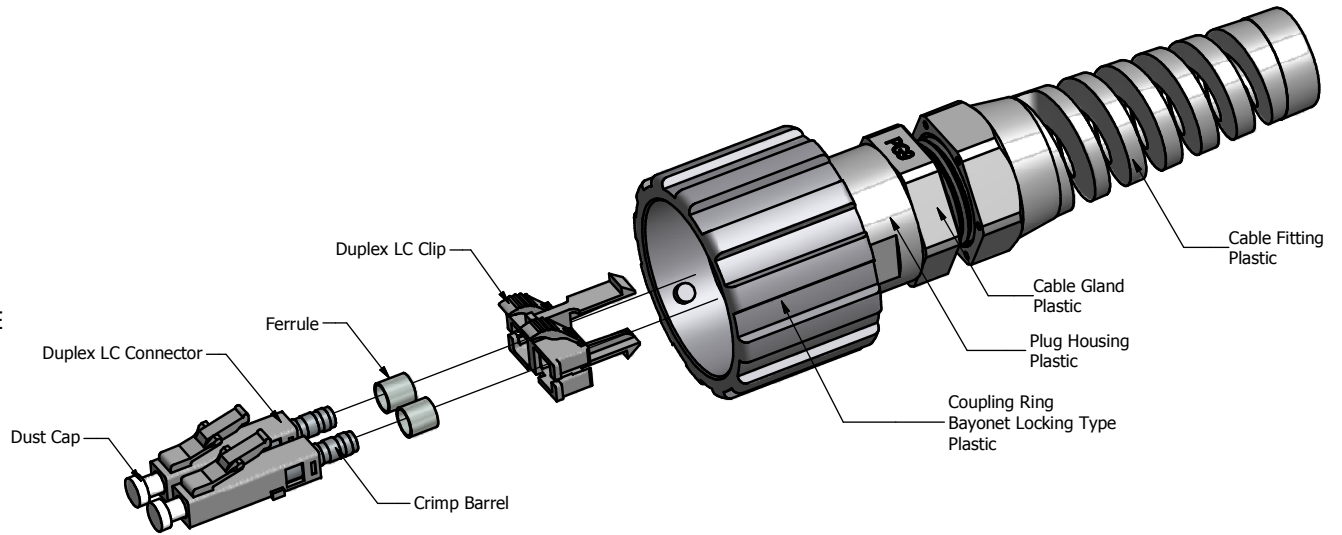
- Inner Sub Assembly: Zirconia, Metal and PTFE
- Crimp Barrel: Brass, Nickel Plated
- Ferrule: Brass, Nickel Plated
- Dust Cap: PC, Color: White

(c) Duplex LC Clip: PC, Color: Black

- Operating Temperature: -40°C to +85°C

2. IP67 rated when covered or fully mated with the appropriate mating connector

(d) 3. Accept 4.5mm to 8.0mm outside diameter fiber optic cable



Description	Part Number
Single Mode (SM)	17-300030
Multi Mode (MM)	17-300040
(e) APC Single Mode (APC SM)	17-300110

Directive 2002/95/EC RoHS Compliant

THIS DRAWING MAY NOT BE COPIED OR REPRODUCED IN ANY MANNER WITHOUT WRITTEN PERMISSION. OWNERSHIP AND COPYRIGHT OF CONEC CORPORATION. <b>DO NOT ALTER CAD DRAWING BY HAND</b>	Customer:			Tolerance Unless otherwise specified		Autodesk Inventor	Scale: 1.5:1	Dim. in mm
	Name	Title	Approval Date	0 PLC ±0.58	1 PLC ±0.38		Material: See Notes Title: IP67 Industrial Duplex LC Plug Kit Plastic Version	
	g 1 x g Sep/25/2013 Vincent Ke	2008	Date	2 PLC ±0.25	3 PLC ±0.10			
	f 1 x f Jul/12/2011 Vincent Ke	Draw.	Jun. 06	ANGLES ±.7	Drawing No.: 17K1A003 Part No.: SEE P/N ABOVE			
e 2 x e Nov/22/2010 Vincent Ke	Appd.	Jun. 06			DIN A3			
d 1 x d Nov/03/2010 Vincent Ke	Norm				Sheet 1/1			
c 1 x c Jul/19/2010 Vincent Ke	D-old							
b 1 x b May/28/2009 Vincent Ke								
a original								
Rev.	Changes	Date	Name	<b>CONEC®</b>				

# Mouser Electronics

Authorized Distributor

Click to View Pricing, Inventory, Delivery & Lifecycle Information:

[CONEC:](#)

[17-300030](#) [17-300110](#) [17-300040](#)