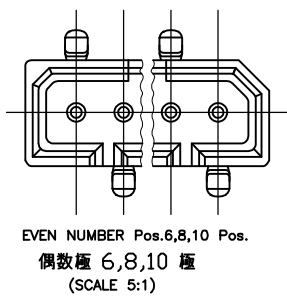
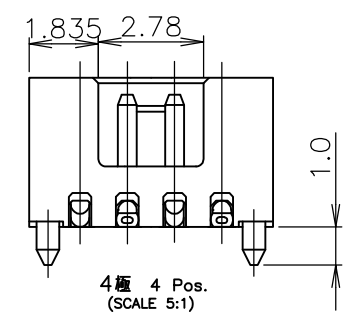


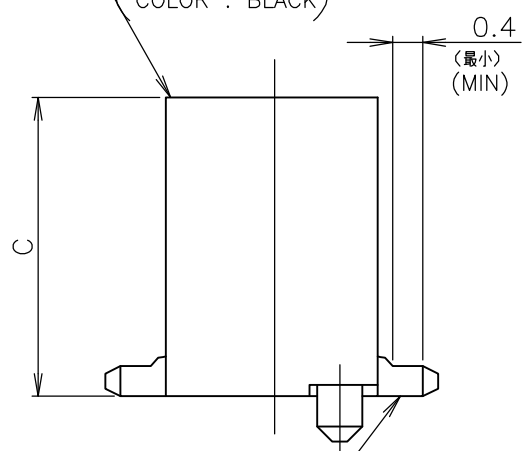
THIS DRAWING IS UNPUBLISHED. RELEASED FOR PUBLICATION
 © COPYRIGHT By - ALL RIGHTS RESERVED.

REVISIONS					
P	LTR	DESCRIPTION	DATE	DWN	APVD
M		REVISED PER ECR-16-011657	16AUG2016	WL	SY



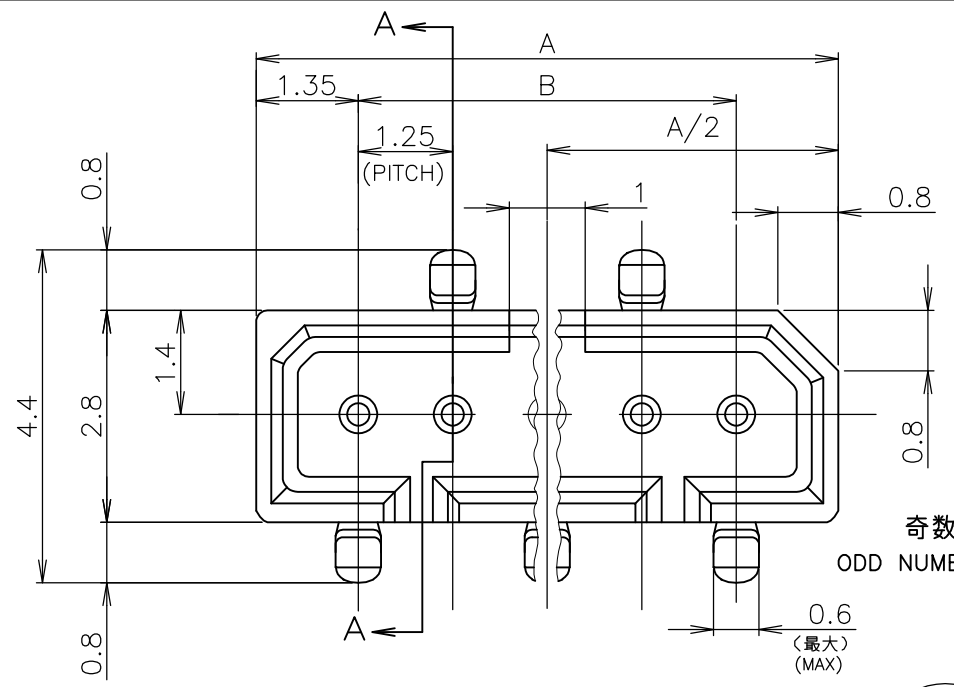
HEADER HOUSING
 ヘッダーハウジング

(PPS UL94V-0)
 COLOR : BLACK



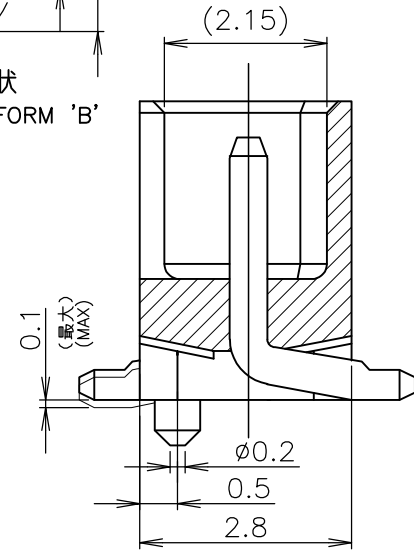
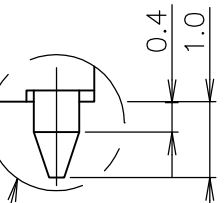
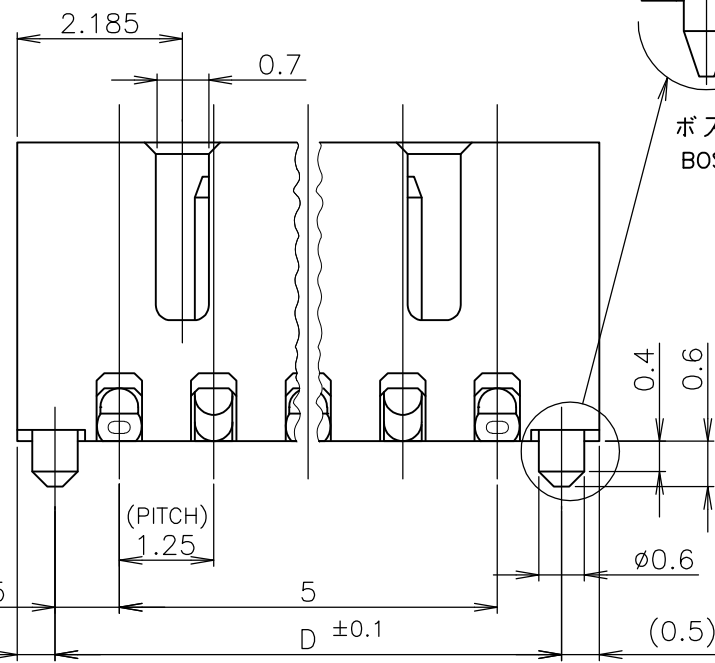
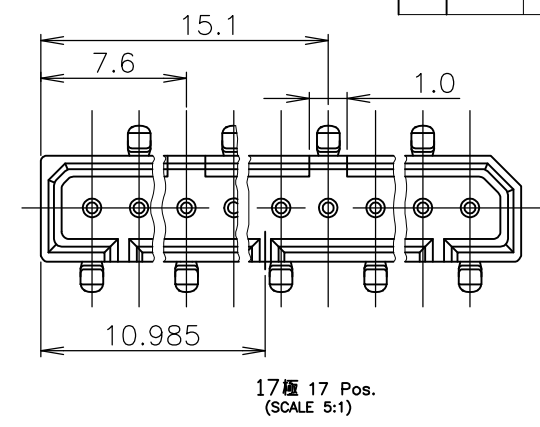
POST
 ポスト

ニッケル下地 錫めっき仕上げ黄銅線
 POST TIN PL.
 Ni UNDER PL. ALL OVER BRASS WIRE
 φ0.5



奇数極5,7極
 ODD NUMBER Pos.5,7 Pos.

0.6 (最大) (MAX)



SECT A-A

5極以上10極以下
 5 Pos. AND MORE, 10 Pos. > AND LESS

(非累積公差)
 (NON ACCUMULATE)

注記 1 嵌合相手製品型番及び、嵌合時寸法は
 MATING COUNTER PART NUMBER AND DIMENSIONS
 表-1 参照のこと。
 AFTER MATING: SEE TABLE 1.
 嵌合時寸法: 巾(mm) x 高さ(mm)
 DIMENSIONS AFTER MATING: WIDTH(mm) x HEIGHT(mm)

DIP TYPE	SMT TYPE	
	POST HDR ASSY	SMT TYPE
V TYPE X-174633-X	4.4(巾W) x 5.0(高H)	4.4(巾W) x 7.0(高H)
	H TYPE X-174634-X	4.4(巾W) x 5.0(高H) 7.0(高H)
V TYPE ボス無 WITHOUT BOSS X-174902-X ボス付 WITH BOSS X-174637-X	4.4(巾W) x 5.0(高H)	4.4(巾W) x 7.0(高H)
	H TYPE ボス無 WITHOUT BOSS X-174903-X ボス付 WITH BOSS X-174638-X	4.4(巾W) x 5.8(高H) 7.8(高H)

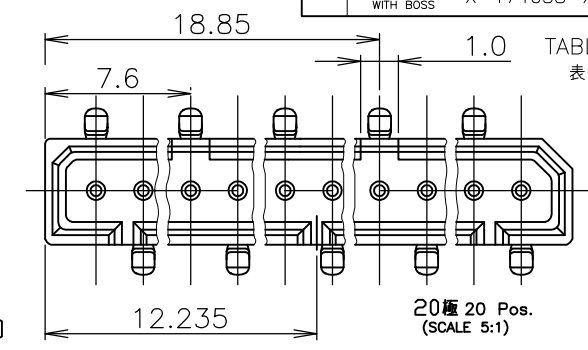
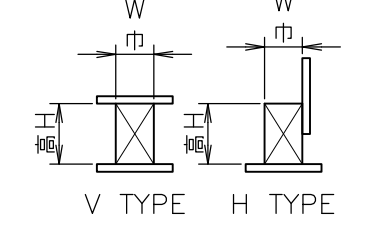
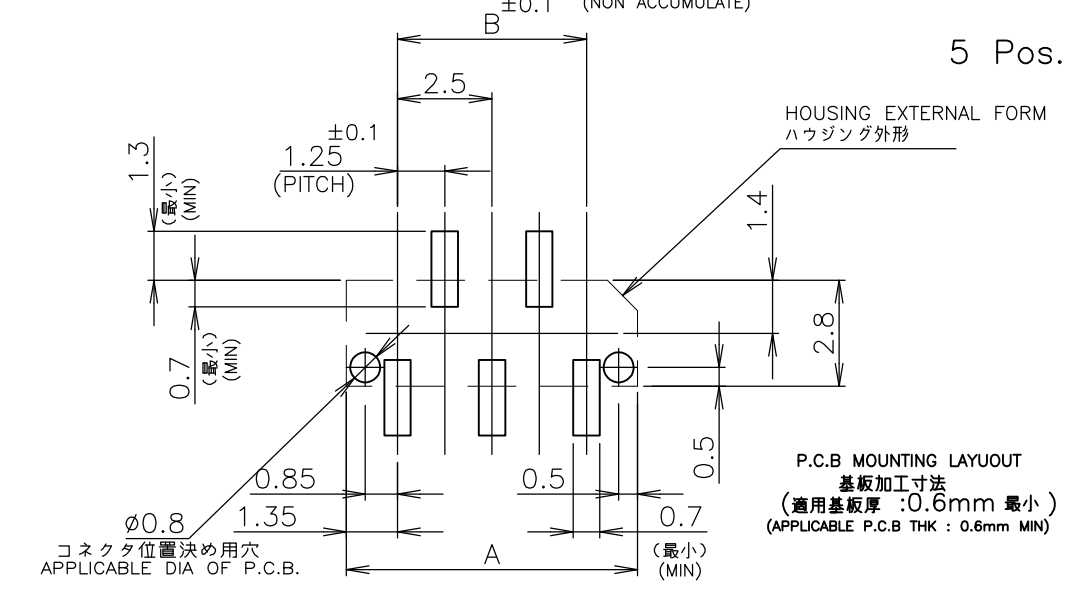


TABLE 1 SMT TYPEは、巾及び高さ寸法に
 SMT TYPE INCLUDE DIMENSIONS
 半田付タイプ部寸法を含みます。
 OF SOLDER DIP TYPE.



REACTIVE	25.45	23.75	26.45	20	8-	-0
OBsolete	'A' 10.45	5.95	8.75	11.45	8	6-8
	'B' 12.95	11.25	13.95	10	4-	-0
	'A' 10.45	8.75	11.45	8	3-	-8
	'A' 9.20	7.50	10.20	7	3-	-7
	'A' 7.95	6.25	8.95	6	3-	-6
	'A' 6.70	5.00	7.70	5	3-	-5
	'B' 5.45	3.95	6.45	4	3-174820-4	
ボス形状 BOSS TYPE	D	C	B	A	極数 Pos.	型番 P/N



△ OBSOLETE PARTS: OBSOLETE CIS STREAMLINING PER D.RENAUD/D.SINISI

THIS DRAWING IS A CONTROLLED DOCUMENT.

DIMENSIONS: 単位: 概 mm

TOLERANCES UNLESS OTHERWISE SPECIFIED: 一般公差

0-PLC ± 10以下: ±0.2
 1-PLC ± 10*概A 30以下: ±0.25
 2-PLC ± 30*概A 100以下: ±0.3
 3-PLC ± 角度: ±3'
 4-PLC ±

ANGLES ±

MATERIAL 材料 AS SHOWN 図中参照

FINISH 仕上 AS SHOWN 図中参照

DWN S.KANEKI 14SEP92
 CHK J.TANIGAWA 14SEP92
 APVD S.KUBOURCHI 17OCT92

NAME 名称
 PRODUCT SPEC 製品規格
 108-5246
 APPLICATION SPEC 取付適用規格

WEIGHT 0.000000

CUSTOMER DRAWING

SCALE 尺度 10:1

SHEET 1 OF 1

REV M

STE TE Connectivity

1.25 FP CONNECTOR (B-TO-B)
 SINGLE ROW POST HDR ASS'Y SMT TYPE WITH BOSS

SIZE A3 CAGE CODE 00779 DRAWING NO. G-174820

RESTRICTED TO

Mouser Electronics

Authorized Distributor

Click to View Pricing, Inventory, Delivery & Lifecycle Information:

[TE Connectivity:](#)

[4-174820-0](#)