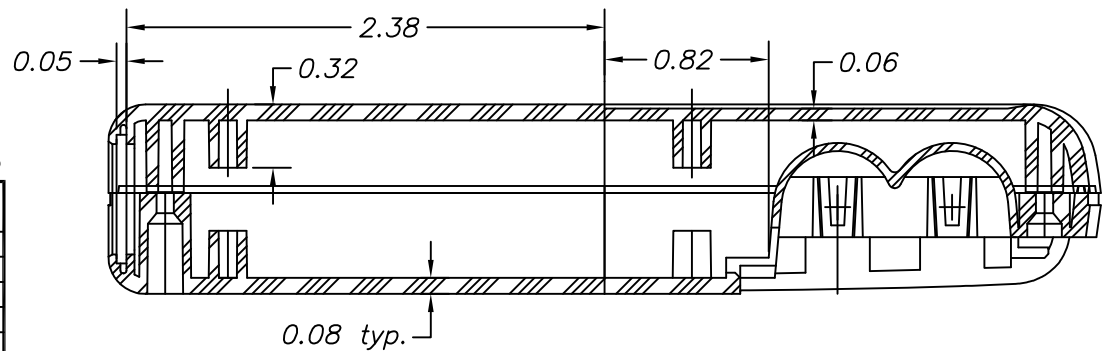
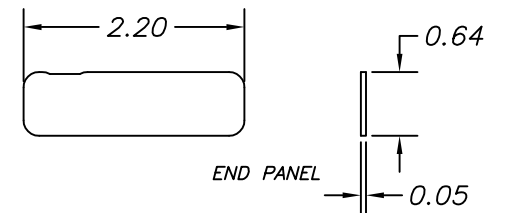
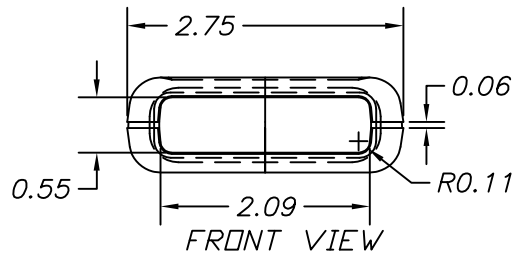
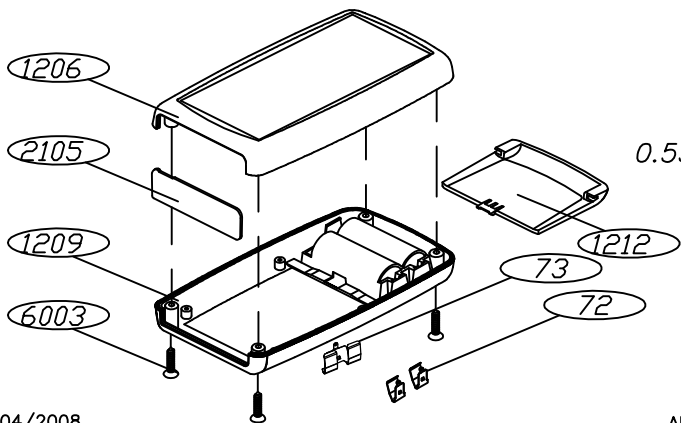
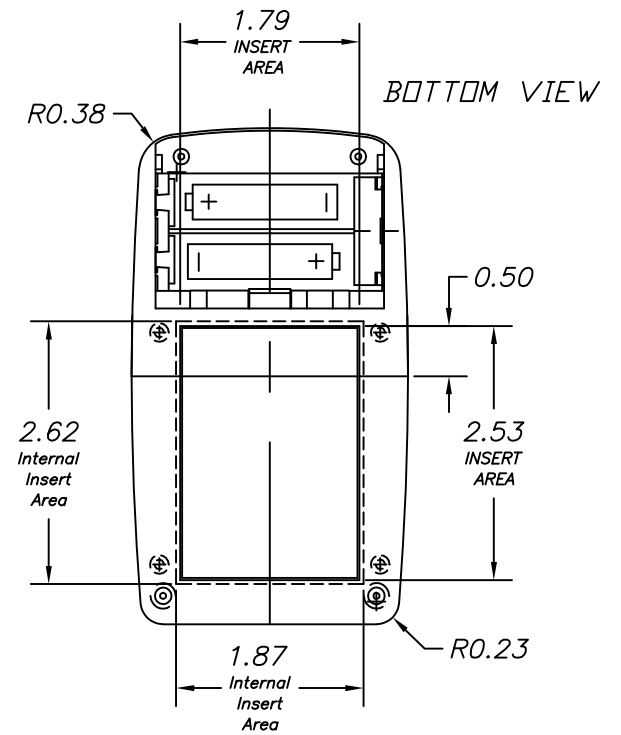
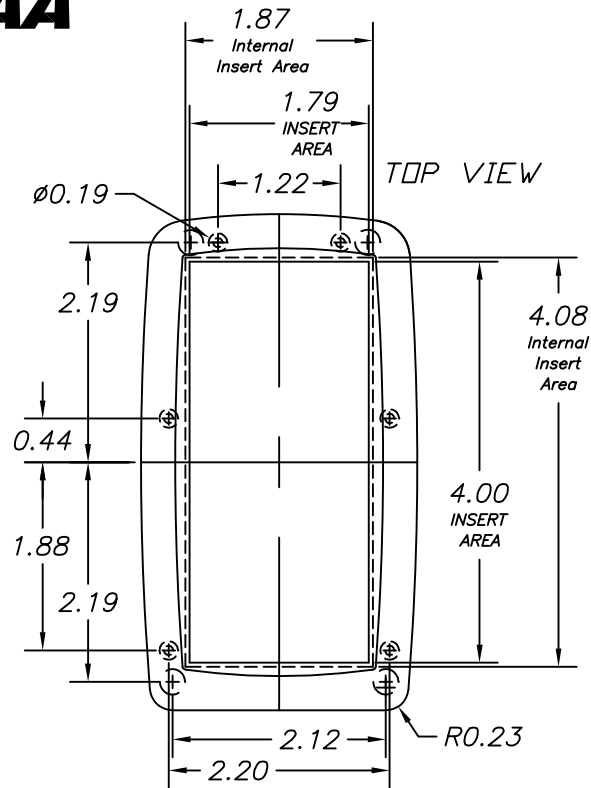
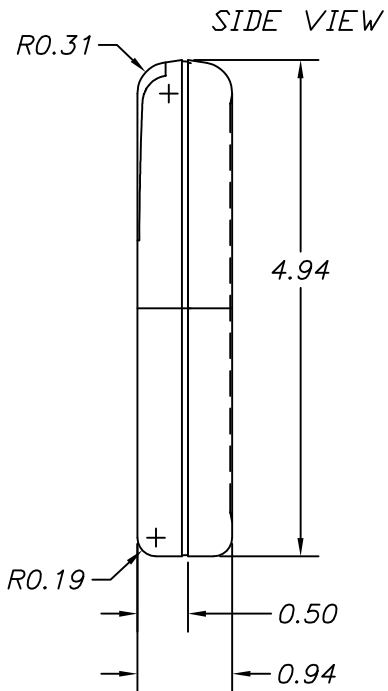


# SERPAC H-65,AA

Electronics Enclosures



8/04/2008.

ALL DIMENSIONS ±.010

PART NO.	DESCRIPTION	PART NO.	ACCESSORIES
1206	PLASTIC TOP	2105CL	CLEAR PANEL
2105	PLASTIC END PANEL	2105IR	INFRARED PANEL
1209	PLASTIC BOTTOM (AA)	2105R	TRANSPARENT RED PANEL
6003	SCREW (4)		
73	BATTERY CONTACT (double)		
1212	PLASTIC BATTERY COVER		
72	BATTERY CONTACT (single)		

# Mouser Electronics

Authorized Distributor

Click to View Pricing, Inventory, Delivery & Lifecycle Information:

SERPAC:

[H-65-AA-TR-BL](#) [H-65-AA-TR-GR](#) [H-65-AA-TR-GY](#) [H-65-AA-B](#) [H-65-AA-G](#) [H-65-AA-TR-RD](#) [H-65-AA-A](#) [H-65AA-G-PC](#)