

LOG	DIST	REV	DATE	APPD
G	14			

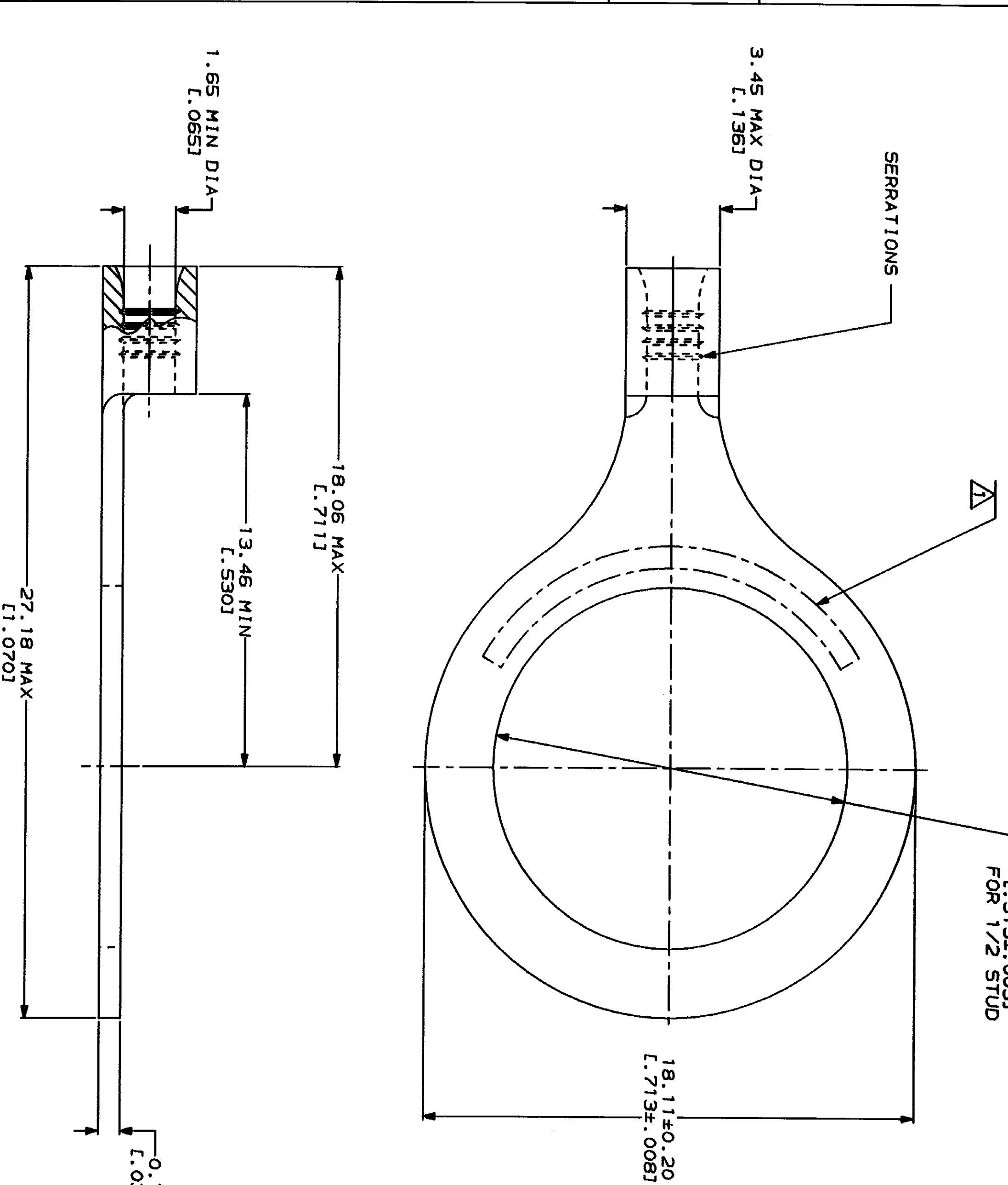
REV	DESCRIPTION	DATE	APPD
C	REVISED PER 0720-0230-93		

METRIC
DIMENSIONS LISTED IN mm [INCHES]

AMP WIRE RANGE 22-16 AWG STRAINED	UL E13288 Listed
---	-------------------------------

NOT CERTIFIED	MILITARY P/N AND CLASS	NOT APPLICABLE
------------------	---------------------------	----------------

STAMP AMP 22-18* APPROX AS SHOWN
22-16 TERMINALS ARE STAMPED 22-18 IN
ACCORDANCE WITH MILITARY SPECIFICATION
MIL-T-7928, COMMERCIAL WIRE RANGE IS 22-16



AMP INCORPORATED
CUSTOMER SERVICE SYSTEMS

FOR ADDITIONAL
PRODUCT INFORMATION OR
COPIES OF DRAWINGS
AND TECHNICAL DOCUMENTS

FOR APPLICATION
TOOLING INFORMATION
FOR ORDER ENTRY

MAX RECOMMENDED OPERATING
TEMPERATURE: 170°C MAX

VOLTAGE RATING:
NOT APPLICABLE

WIRE CROSS SECTIONAL AREA RANGE:
0.26-1.65mm² [509-3,260] CIR MILS
STRAINED

DO NOT SCALE PRINT.
UNLESS SPECIFIED
DIMENSIONS IN mm [INCHES]
TOLERANCES ON:
2 PLC DEC # -
3 PLC DEC # -
ANGLES -

MATERIAL
COPPER PER
ASTM B-152
ANNEALED

FINISH
TIN PLATE
0.00254 [L.000100] MIN
THK PER MIL-T-10727

DR 2-4-93
TA BRINKMAN

CHK 2-4-93
DA PATTERSON

APPO 2-4-93
DE MILLER

AMP INCORPORATED
Harrisburg, PA 17105-3508

TERMINAL, RING TONGUE,
BUDGET

SIZE CAGE CODE DRAWING NO
SCALE 8:1 00779 C-328970

CUSTOMER DRAWING

Mouser Electronics

Authorized Distributor

Click to View Pricing, Inventory, Delivery & Lifecycle Information:

[TE Connectivity:](#)

[328970](#)