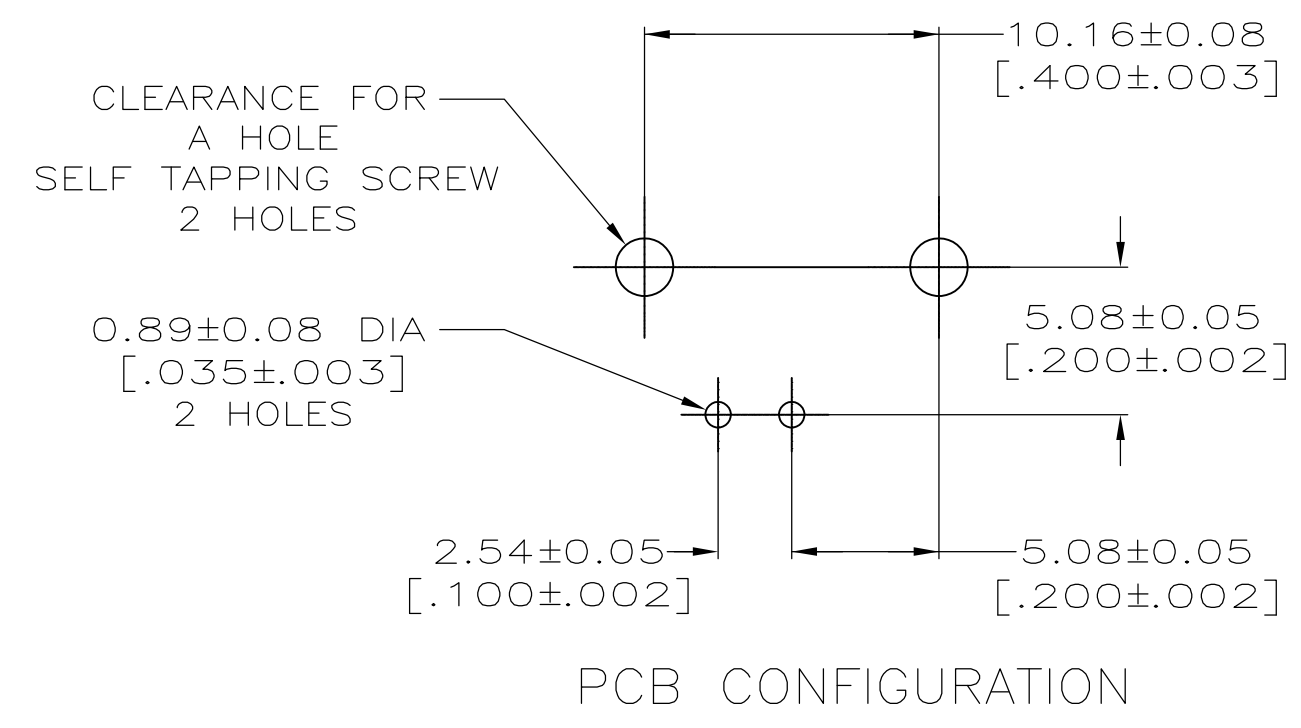
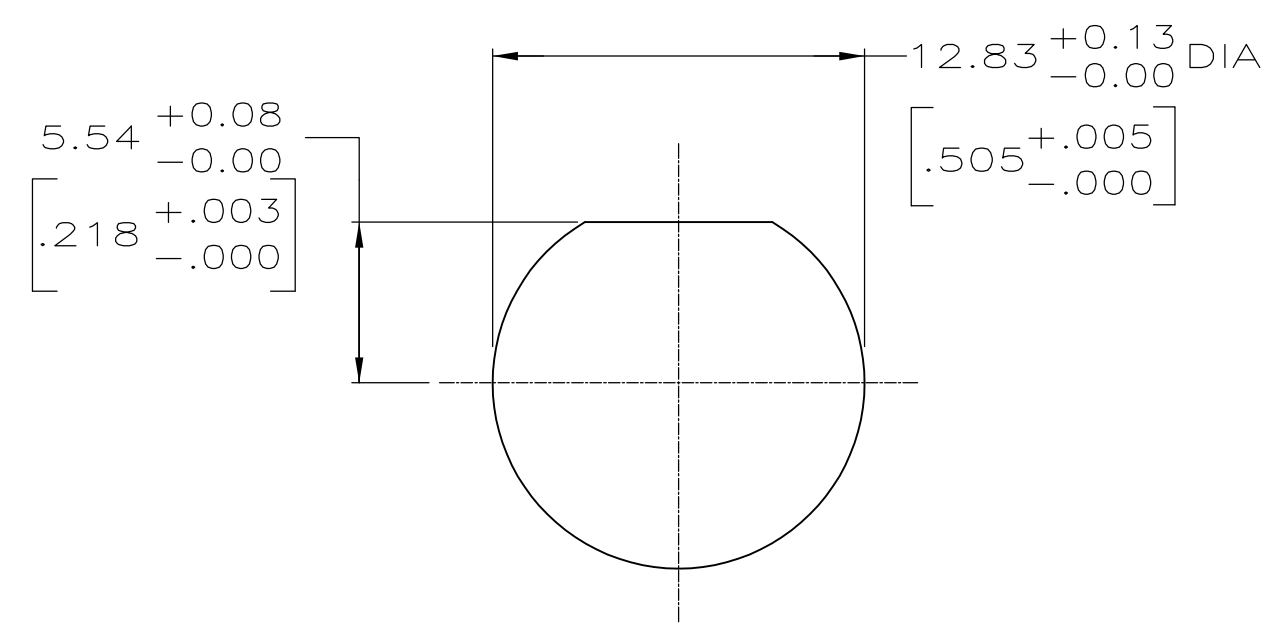
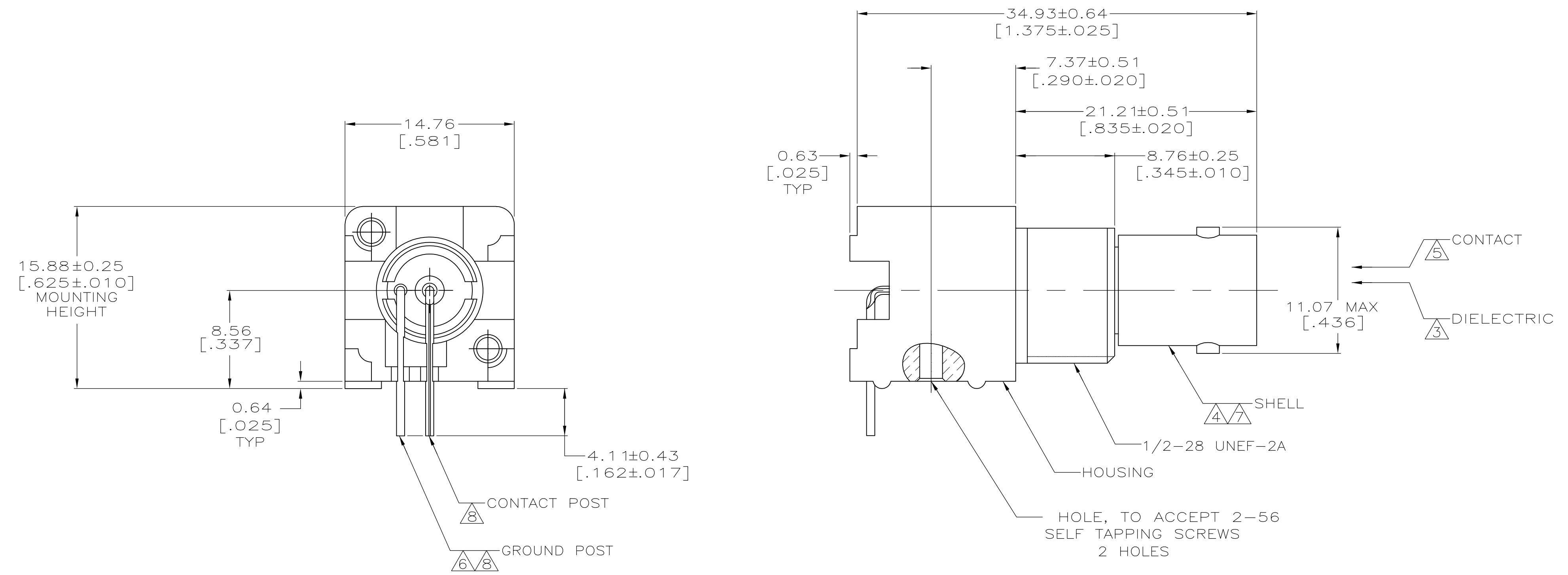


LOC	DIST	REVISIONS			
P	LR	DESCRIPTION	DATE	DWN	APPD
AJ	16	B1	REVISED PER ECO-11-005030	11MAR11	RK HMR

- ① POLYESTER PBT PER MIL-M-24519, TYPE GPT-15F, UL94V-O RATED, COLOR:NATURAL
 - ② POLYESTER PBT PER MIL-M-24519, TYPE GPT-15F, UL94V-O RATED, COLOR:BLACK
 - ③ POLYMETHYLPENTENE, GENERAL PURPOSE.
 - ④ ZINC PER QQ-Z-363.
 - ⑤ PHOSPHOR BRONZE PER QQ-B-750.
 - ⑥ BRASS PER ASTM-B-453.
 - ⑦ NICKEL PLATE PER QQ-N-290, 3.81 μm [.000150] MINIMUM THICK.
 - ⑧ TIN PLATE PER ASTM-B-545, 3.81 μm [.000150] MINIMUM THICK.
 - ⑨ GOLD PLATE PER MIL-G-45204, 0.76 μm [.000030] MINIMUM THICK.
10. SEE INSTRUCTION SHEET 408-2769.



CONTACT PLATING	HOUSING MATERIAL	PART NUMBER
⑨	②	5226990-6
⑨	①	5226990-3
⑧	①	5226990-1

THIS DRAWING IS A CONTROLLED DOCUMENT.

DWN: L. VARELA - DOCKS 20APR2005
 CHK: J. HAVENER 20APR2005

APVD: S. BURKHOLDER 20APR2005

NAME: JACK, PANEL, RIGHT ANGLE, 50 OHM, PCB, SERIES BNC

PRODUCT SPEC: 108-12078

APPLICATION SPEC: -

SIZE: A1 CAGE CODE: 00779 DRAWING NO: 5226990

MATERIAL: 1 THRU 6 FINISH: 7 THRU 9 WEIGHT: -

CUSTOMER DRAWING SCALE: 4:1 SHEET: 1 OF 1 REV: B1

RESTRICTED TO: -

Mouser Electronics

Authorized Distributor

Click to View Pricing, Inventory, Delivery & Lifecycle Information:

[TE Connectivity:](#)

[5226990-6](#)