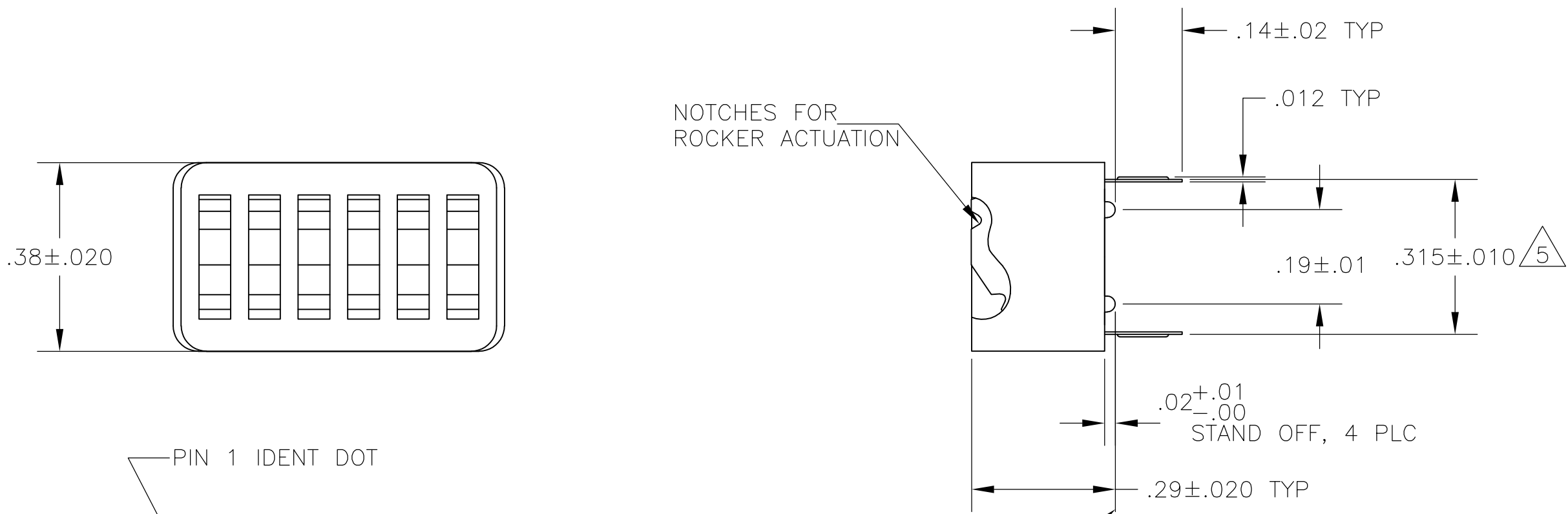
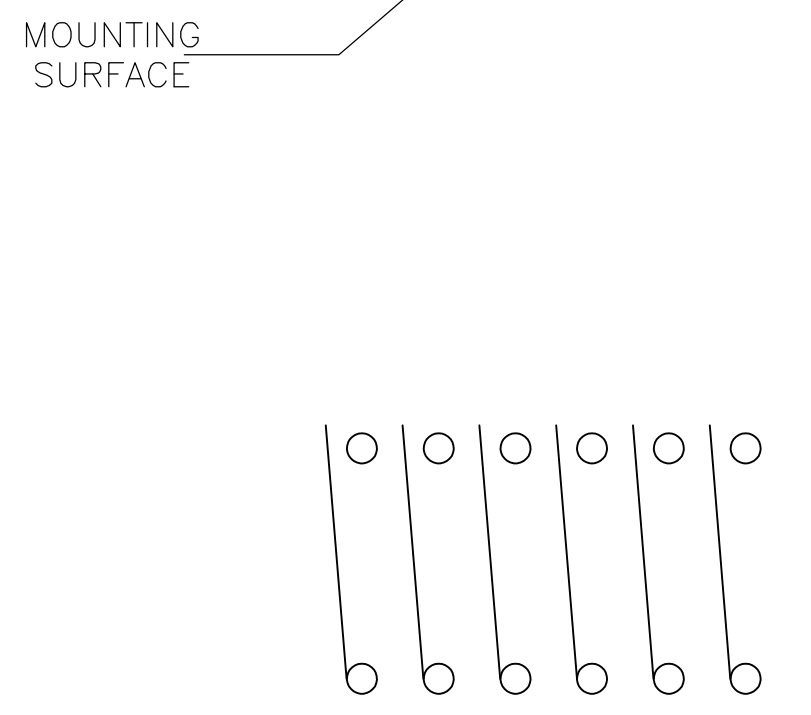
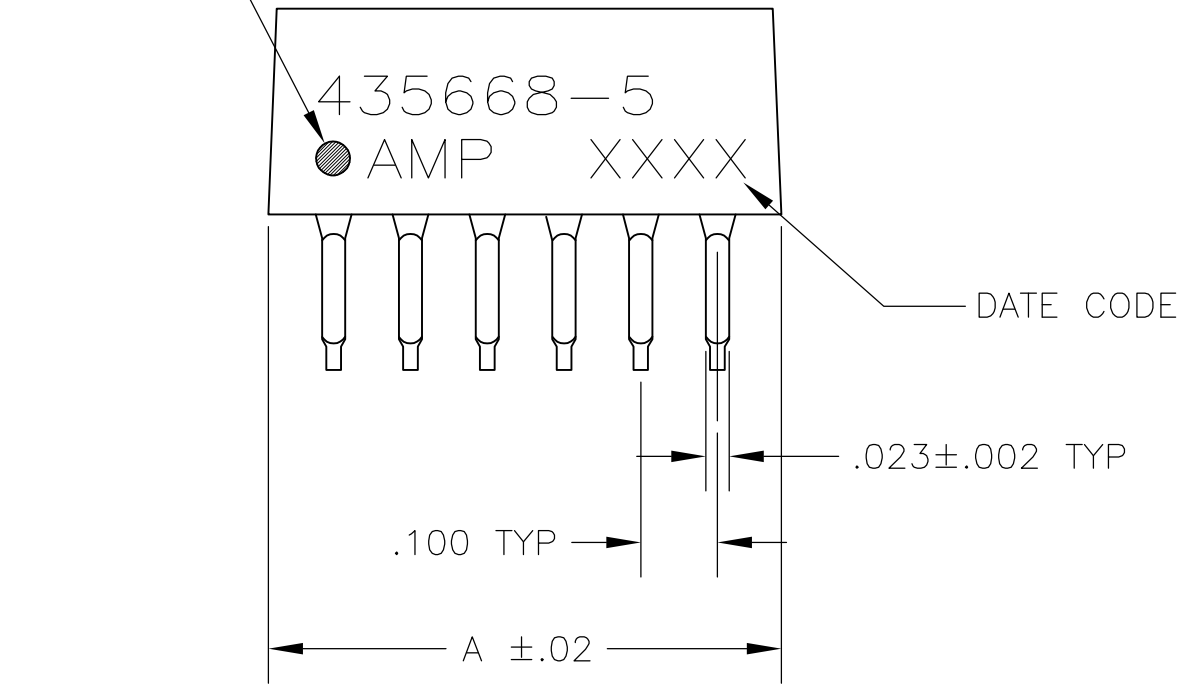


THIS DRAWING IS UNPUBLISHED. RELEASED FOR PUBLICATION  
 © COPYRIGHT - By - ALL RIGHTS RESERVED.

LOC		DIST		REVISIONS			
P	LTR	DESCRIPTION	DATE	DWN	APVD		
AD	00	AM2	REVISD PER ECO-11-004587	11MAR11	RK	HMR	



- FOR ADDITIONAL SPECIFICATIONS SEE AMP PRODUCT SPEC 108-7532.
  - SWITCH SHOWN IN OPEN POSITION.
  - ALL CHARACTERS AND ROCKERS ARE WHITE, HOUSING IS BLUE.
  - STAMPING WILL VARY ON 2 AND 3 POSITION SIDES DUE TO SPACE RESTRICTIONS.
- △5 .315 DIMENSION APPLIES AT TERMINAL TIPS. TERMINALS ARE  $.300^{+.010}_{-.000}$  AT MOUNTING SURFACE.
- △6 OBSOLETE PARTS: OBSOLETE CIS STREAMLINING PER D.RENAUD/D.SINISI



CONTACT ARRANGEMENT

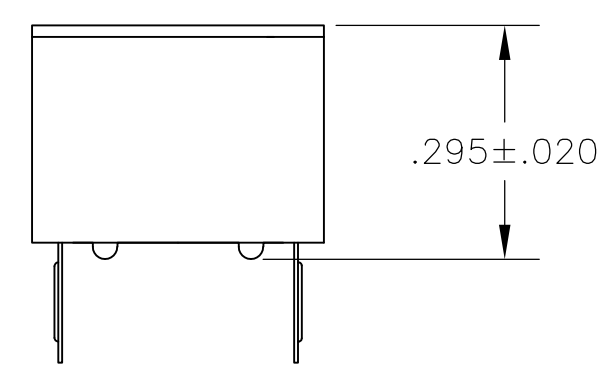
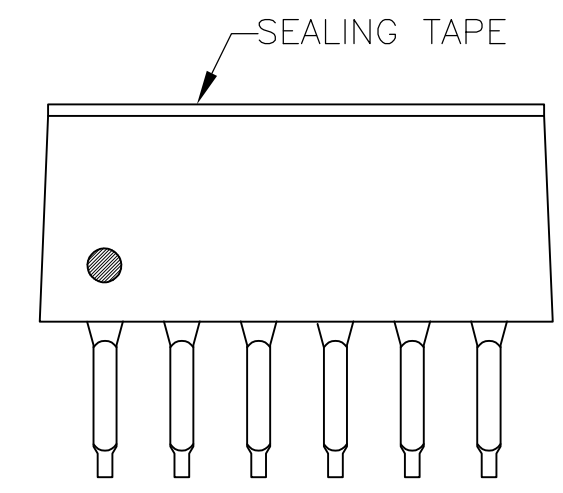


FIG1

435668-5 SHOWN

FIG	DESCRIPTION	NO OF POSN	PART NO
△6	OBSOLETE	5	8-435668-7
	OBSOLETE	12	8-435668-6
	OBSOLETE	6	8-435668-5
	OBSOLETE	4	8-435668-3
	OBSOLETE	4	8-435668-0
	OBSOLETE	5	3-435668-5
	OBSOLETE	4	3-435668-4
	OBSOLETE	3	3-435668-3
	OBSOLETE	12	3-435668-2
	OBSOLETE	11	3-435668-1
	OBSOLETE	10	3-435668-0
	OBSOLETE	9	2-435668-9
	OBSOLETE	8	2-435668-8
	OBSOLETE	7	2-435668-7
	OBSOLETE	2	2-435668-6
	OBSOLETE	6	2-435668-5
	OBSOLETE	12	1-435668-1
	OBSOLETE	10	435668-9
	OBSOLETE	9	435668-8
	OBSOLETE	8	435668-7
	OBSOLETE	7	435668-6
	OBSOLETE	6	435668-5
	OBSOLETE	5	435668-4
	OBSOLETE	4	435668-3
	OBSOLETE	3	435668-2
	OBSOLETE	2	435668-1

DIMENSIONS: INCHES		TOLERANCES UNLESS OTHERWISE SPECIFIED:		MATERIAL		FINISH		MARKING		SEALING TAPE		NO OF POSN		PART NO	
0 PLC	± -	0 PLC	± -	HOUSING & ROCKERS: POLYESTER	CONTACTS: PLATED .00030 MIN GOLD IN CONTACT AREA OVER .00050 MIN NICKEL	APVD	H.LEITER	APVD	H.LEITER	SIZE	A2	CAGE CODE	00779	DRAWING NO	C=435668
1 PLC	± -	1 PLC	± -			PRODUCT SPEC	-	APPLICATION SPEC	-	SCALE	4:1	SHEET	1 of 2	REV	AM2
2 PLC	± -	2 PLC	± -			WEIGHT	-	CUSTOMER DRAWING							
3 PLC	± .005	3 PLC	± .005												
4 PLC	± -	4 PLC	± -												
ANGLES	± -														

THIS DRAWING IS UNPUBLISHED. RELEASED FOR PUBLICATION  
 © COPYRIGHT - By - ALL RIGHTS RESERVED.

LOC	DIST	REVISIONS					
AD	00	P	LTR	DESCRIPTION	DATE	DWN	APVD
		-	-	SEE SHEET 1	-	-	-

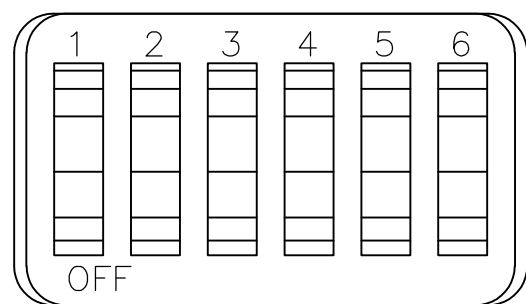


FIG 2

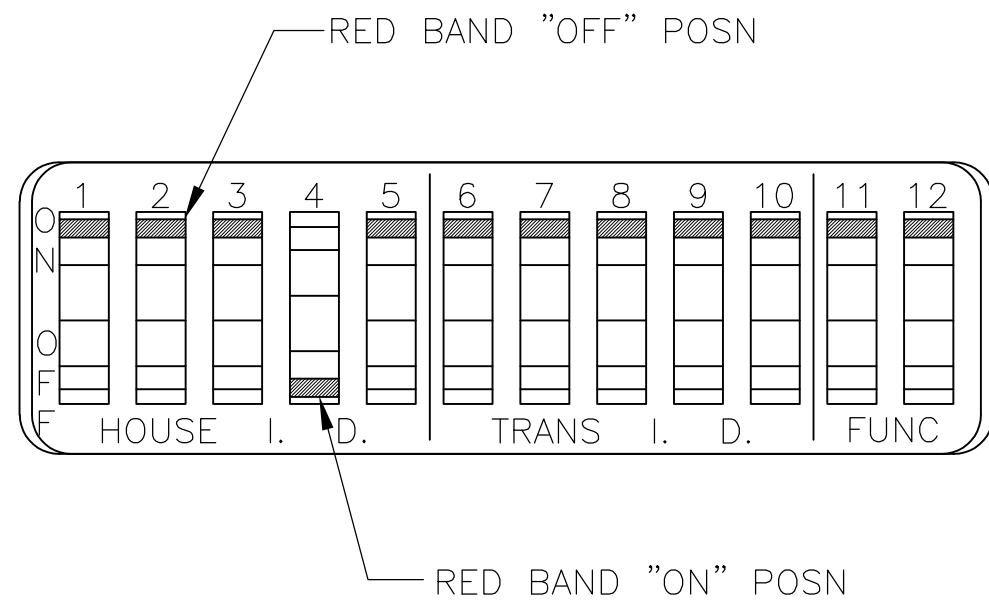


FIG 5

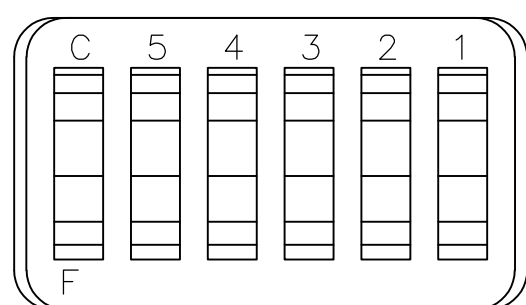


FIG 3

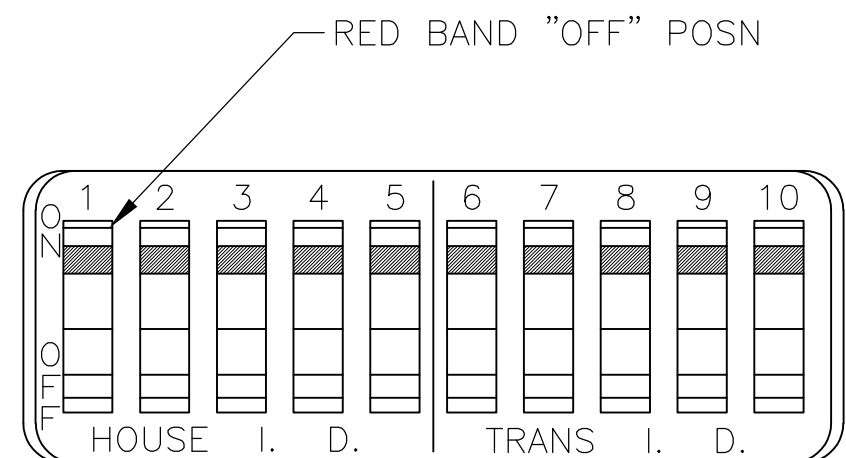


FIG 6

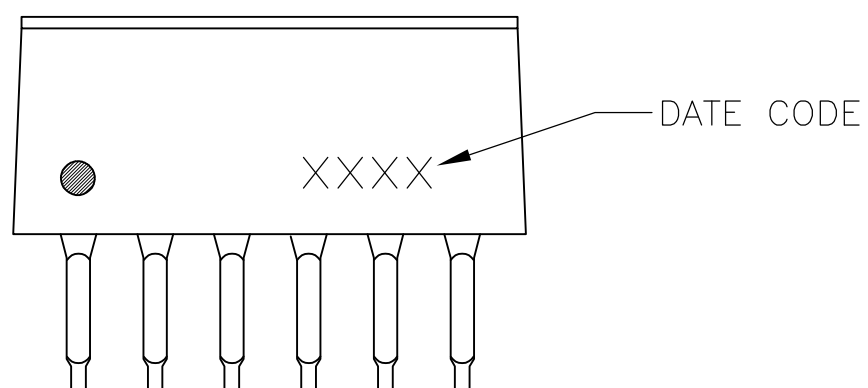


FIG 4

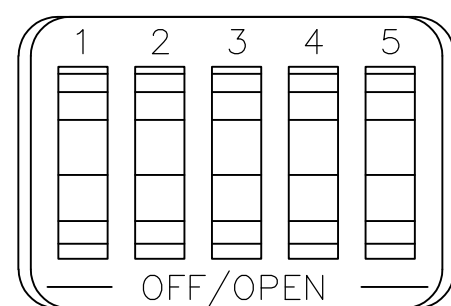


FIG 7

THIS DRAWING IS A CONTROLLED DOCUMENT.		DWN	R.TALLEY	02JAN90		TE Connectivity				
DIMENSIONS: INCHES		CHK	R.MILLER	03JAN90		NAME				
TOLERANCES UNLESS OTHERWISE SPECIFIED:		APVD	H.LEITER	03JAN90		SWITCH ASSY, DIP, TYPE C, 7100 SERIES, SPST, LOW PROFILE				
		PRODUCT SPEC	-			SIZE	CAGE CODE	DRAWING NO	RESTRICTED TO	
MATERIAL		FINISH	WEIGHT		-	A2	00779	C=435668	-	
			CUSTOMER DRAWING		SCALE	4:1	SHEET	2 of 2	REV	AM2

# Mouser Electronics

Authorized Distributor

Click to View Pricing, Inventory, Delivery & Lifecycle Information:

[TE Connectivity:](#)

[2-435668-8](#)