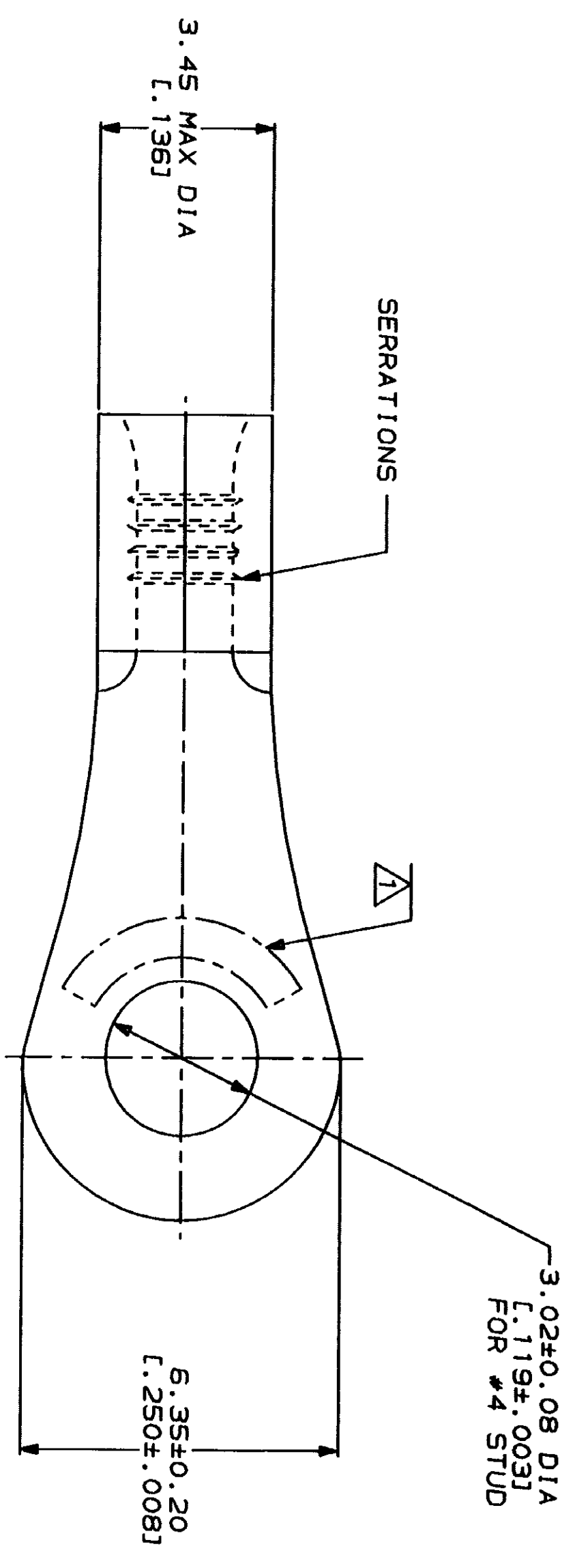
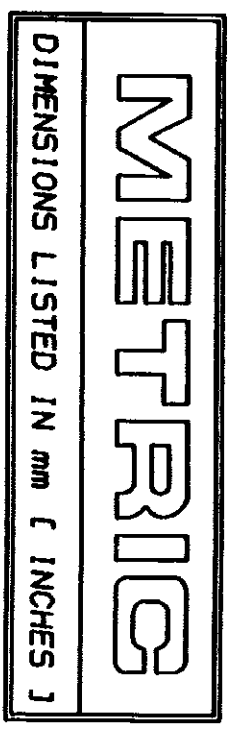
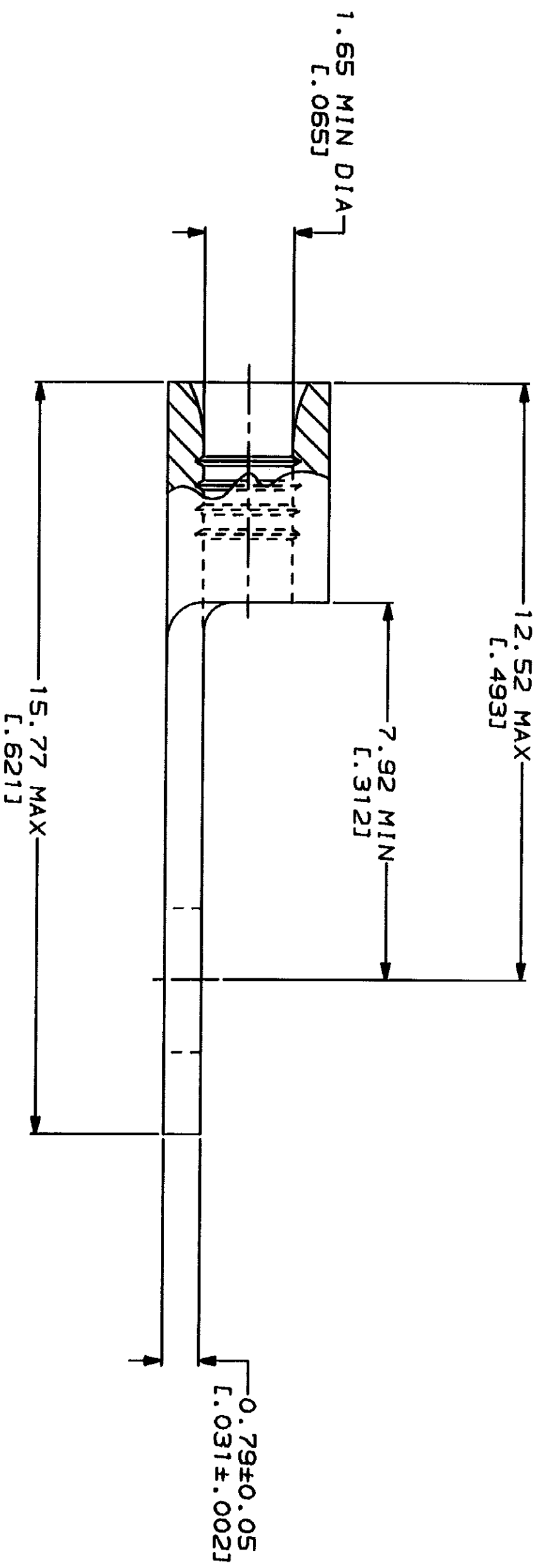


LOC	DIST	REV	DESCRIPTION	DATE	APP'D
G	14	P	REVISED PER 0720-0230-93	2/28/94	DAW



AMP WIRE RANGE 22-16 AWG STRANDED	UL E13288 Listed
LR2189 Certified	MILITARY P/N AND CLASS
NOT CERTIFIED	NOT APPLICABLE

⚠ STAMP AMP 22-18* APPROX AS SHOWN
 22-16 TERMINALS ARE STAMPED 22-18 IN
 ACCORDANCE WITH MILITARY SPECIFICATION
 MIL-T-7928, COMMERCIAL WIRE RANGE IS 22-16



AMP INCORPORATED CUSTOMER SERVICE SYSTEMS		MAX RECOMMENDED OPERATING TEMPERATURE: 170°C MAX	
FOR ADDITIONAL PRODUCT INFORMATION OR COPIES OF DRAWINGS AND TECHNICAL DOCUMENTS	PRODUCT INFORMATION CENTER 1-800-522-6752	VOLTAGE RATING: NOT APPLICABLE	
FOR APPLICATION TOOLING INFORMATION	TOOLING ASSISTANCE CENTER 1-800-722-1111	WIRE CROSS SECTIONAL AREA RANGE: 0.26-1.65mm ² [509-3,260] CIR MILS STRANDED	
FOR ORDER ENTRY	1-800-526-5142	THIS DRAWING IS A GENERALIZED REPRESENTATION FOR REFERENCE ONLY. THE CUSTOMER SHOULD CONSULT THE SPECIFICATIONS FOR THE LATEST REVISION.	

DO NOT SCALE PRINT. UNLESS SPECIFIED DIMENSIONS IN MILLIMETERS TOLERANCES ON: 2 PLC DEC # - 3 PLC DEC # - ANGLES # -		DR 2-3-93 TA BRINKMAN	 AMP Incorporated Harrisburg, PA 17105-3608
FINISH: TIN PLATE 0.00254[L.000100] MIN THK PER MIL-T-10727		CHK 2-3-93 DA PATTERSON	
MATERIAL: COPPER PER ASTM B-152 ANNEALED		APPD 2-3-93 DE HILLER	
APPLICATION SPEC		APPD 2-3-93 JL HECKLEY	
NAME: TERMINAL, RING TONGUE, BUDGET		SCALE: 10:1	
CAGE CODE: 00779		DRAWING NO: 322418	
WEIGHT: -		SHEET: 1 OF 1	

Mouser Electronics

Authorized Distributor

Click to View Pricing, Inventory, Delivery & Lifecycle Information:

[TE Connectivity:](#)

[322418](#)