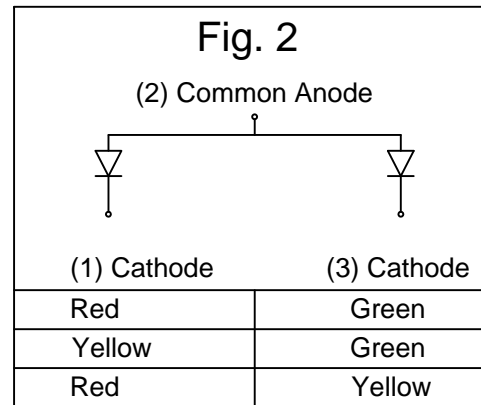
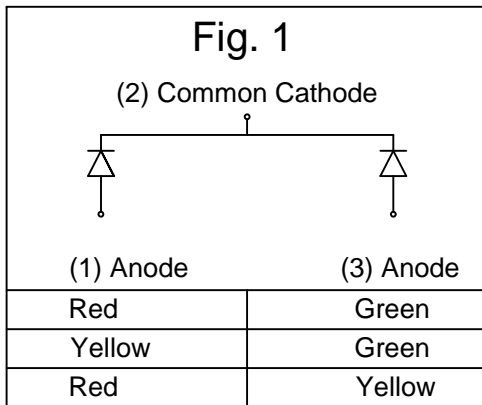
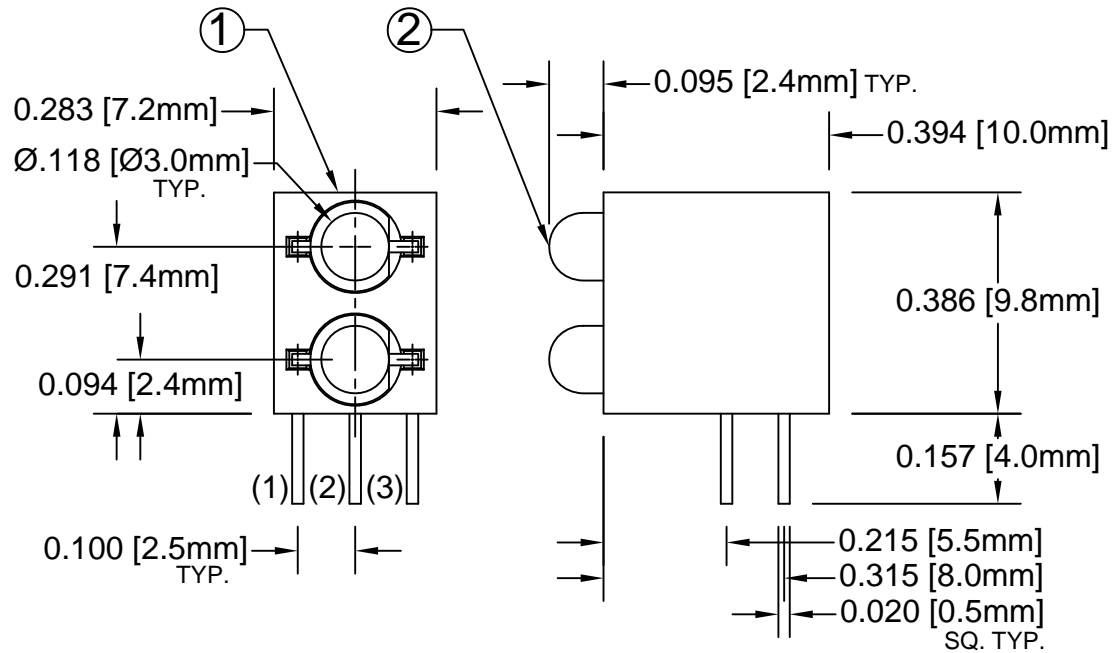
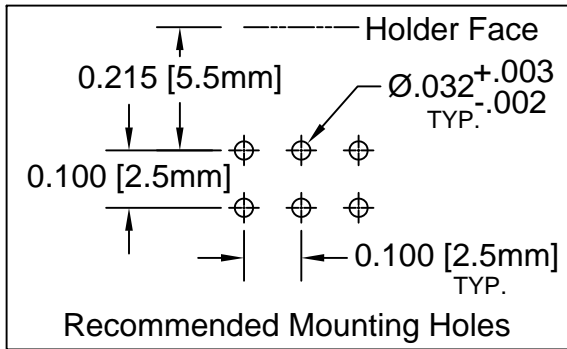


ITEM	Q'TY	PART NUMBER	PART DESCRIPTION
1	1	H-280C	T-1 (3mm) Bi-Level Tri-Lead LED Holder, 90° Mount
2	2	3BC-3-XXXX-F	T-1 (3mm) Bi-Color/Tri-Color Flanged LED, See Page 2

REV.	DESCRIPTION	DATE	APPROVED
A	Engineering Update w/o Changes	03/05/04	M. C.
B	Removed Fig. 3	04/05/05	M. C.
C	Engineering Update w/o Changes	06/22/16	J. C.





ABSOLUTE MAXIMUM RATINGS (Ta=25° C)

REVERSE VOLTAGE _____	5V
REVERSE CURRENT _____	100uA
OPERATING TEMPERATURE RANGE _____	-25° C - 85° C
STORAGE TEMPERATURE _____	-30° C - 100° C
LEAD SOLDERING TEMPERATURE(1/16" FROM BODY) _____	260° C FOR 5 SECONDS

STANDARD TOLERANCE (UNLESS OTHERWISE SPECIFIED)		BIVAR®	
DECIMALS	ANGULAR	4 THOMAS, IRVINE, CA. 92618 TEL: (949) 951-8808 FAX: (949) 951-3974	
.X ± .1	X° ± 1°	TITLE: T-1 (3MM) BI-COLOR 3 LEAD 90° BI-LEVEL LED ASSY	
.XX ± .02			
.XXX ± .010			
DESIGNED: D. Green	DATE: 03/05/04	PART NO: H280CBCXXXX	REVISION: C
CHECKED: M. Chen	DATE: 03/05/04	CAGE CODE : 32559	SHEET # 1 OF 2
CAD GENERATED DOCUMENT. DO NOT MEASURE DRAWING.			

REV.	DESCRIPTION	DATE	APPROVED
	SEE SHEET #1		

LED Assy. No.	Peak Wave Length λ_p (nm)	Emitted Color	Lens Appearance	Abs. Max. Rating	Electro-Optical Data @ 20m A			Viewing Angle $2\theta_{1/2}$ (Deg)	LED P/N
				If (mA)	Vf (V)		Iv (mcd)		
					TYP	MAX	TYP		
H280CBC (Fig. 1)	635	HE RED	WHITE DIFFUSED	30	2.0	2.6	35.0	40	3BC-3-F
	568	GREEN		30	2.2	2.6	35.0		
H280CBC-Y/G (Fig. 1)	585	YELLOW	WHITE DIFFUSED	30	2.1	2.6	30.0	40	3BC-3-Y/G-F
	568	GREEN		30	2.2	2.6	35.0		
H280CBC-CA (Fig. 2)	635	HE RED	WHITE DIFFUSED	30	2.0	2.6	35.0	40	3BC-3-CA-F
	568	GREEN		30	2.2	2.6	35.0		
H280CBC-Y/G-CA (Fig. 2)	585	YELLOW	WHITE DIFFUSED	30	2.1	2.6	30.0	40	3BC-3-Y/G-CA-F
	568	GREEN		30	2.2	2.6	35.0		

STANDARD TOLERANCE (UNLESS OTHERWISE SPECIFIED) $\pm 10\%$ ALL VALUES ANGULAR		 4 THOMAS, IRVINE, CA. 92618 TEL: (949) 951-8808 FAX: (949) 951-3974	
		 TITLE: T-1 (3MM) BI-COLOR 3 LEAD 90° BI-LEVEL LED ASSY	
DESIGNED: T. Yin	DATE: 03/05/04	PART NO: H280CBCXXXX	REVISION: C
CHECKED: D. Green	DATE: 03/05/04	CAGE CODE : 32559	SHEET # 2 OF 2
CAD GENERATED DOCUMENT. DO NOT MEASURE DRAWING.			

Mouser Electronics

Authorized Distributor

Click to View Pricing, Inventory, Delivery & Lifecycle Information:

[BIVAR:](#)

[H280CBC-CA](#) [H280CBC-Y/G](#) [H280CBC-Y/G-CA](#)