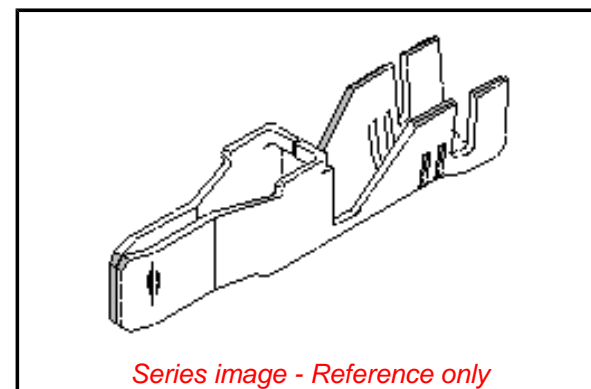


PLEASE CHECK WWW.MOLEX.COM FOR LATEST PART INFORMATION

Part Number: [0428170041](#)
Status: **Active**
Overview: [Mini-Fit Sr.™ Power Connectors](#)
Description: Mini-Fit Sr.™ Crimp Terminal, Male, 14-16 AWG, Tin (Sn)
Replacement Part Number: <http://www.molex.com/molex/products/listview.jsp?channel=Products&sType=p&query=042817004242817-0042> (Gold)

Documents:

[Drawing \(PDF\)](#) [Packaging Specification PK-42815-001 \(PDF\)](#)
[Product Specification PS-42815-001 \(PDF\)](#) [RoHS Certificate of Compliance \(PDF\)](#)
[Application Specification AS-42815-001 \(PDF\)](#)



General

Product Family	Crimp Terminals
Series	42817
Application	Power
Comments	High Current/Low Force See Product Specification for maximum current rating by circuit size and application.
Crimp Quality Equipment Overview	Yes
Product Name	Mini-Fit Sr.™ Power Connectors
Replacement Part Number	Mini-Fit Sr.™
Replacement Part Number	42817-0042 (Gold)
UPC	42817-1044 (Silver)
	756054457092

Physical

Gender	Male
Material - Metal	High Performance Alloy (HPA)
Material - Plating Mating	Tin over Nickel
Material - Plating Termination	Tin over Nickel
Net Weight	1.340/g
Packaging Type	Reel
Plating min - Mating	2.540µm
Plating min - Termination	2.540µm
Termination Interface: Style	Crimp or Compression
Wire Insulation Diameter	4.57mm max.
Wire Size AWG	14, 16
Wire Size mm²	N/A

Electrical

Current - Maximum per Contact	50.0A
-------------------------------	-------

Solder Process Data

Lead-freeProcess Capability	N/A
-----------------------------	-----

Material Info

Reference - Drawing Numbers

Application Specification	AS-42815-001
Packaging Specification	PK-42815-001
Product Specification	PS-42815-001, RPS-42815-011, RPS-42815-012, RPS-42815-013, RPS-42815-014
Sales Drawing	SD-42817-020

EU ELV

Not Relevant

EU RoHS

Compliant

China RoHS

REACH SVHC

Contains SVHC(2015 June 15): No

Halogen-Free

Status

Low-Halogen

Need more information on product environmental compliance?

Email productcompliance@molex.com
Please visit the [Contact Us](#) section for any non-product compliance questions.

China ROHS
ELV

Green Image
Not Relevant

Search Parts in this Series

[42817 Series](#)

Use With

Mini-Fit Sr.™ Plug Housings [42818](#) , [43938](#)

Application Tooling | FAQ

Tooling specifications and manuals are found by selecting the products below. Crimp Height Specifications are then contained in the Application Tooling Specification document.

Global

Description	Product #
Hand Crimp Tool	0638113800
Mini-Mac™ Applicator	0638912000
Manual Extraction Tool	0638130400

PLEASE CHECK WWW.MOLEX.COM FOR LATEST PART INFORMATION

Mouser Electronics

Authorized Distributor

Click to View Pricing, Inventory, Delivery & Lifecycle Information:

[Molex:](#)

[42817-0041](#) [42817-0041 \(Cut Strip\)](#) [42817-0041 \(Mouser Reel\)](#) [42817-0041 \(Loose Piece\)](#)