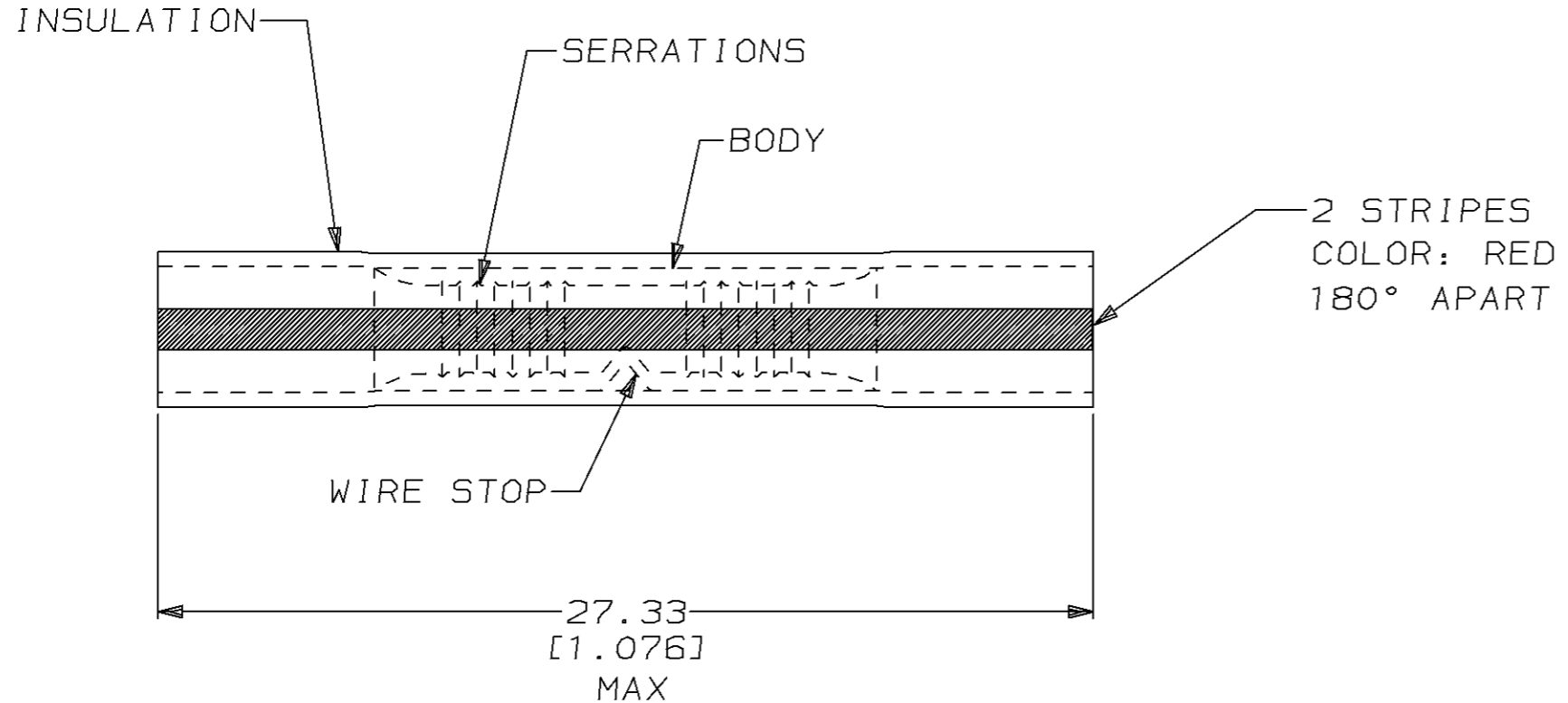


THIS DRAWING IS UNPUBLISHED. RELEASED FOR PUBLICATION, 19 .
 © COPYRIGHT 19 BY AMP INCORPORATED. ALL INTERNATIONAL RIGHTS RESERVED.

LOC	DIST	P	F	ZONE	LTR	DESCRIPTION	DATE	APPD
G	14				E	REV/ 0720-0612-95	31MAY95	ME SB

PART NO	PACKAGE TYPE	QTY
8-55792-1	LOOSE PIECE, BOX	100
8-55792-4	LOOSE PIECE, BLS	5
8-55792-5	LOOSE PIECE, BAG	25
9-55792-4	LOOSE PIECE, BLS	25

1. WIRE INSUL DIA, 2.67-3.56 [.105-.140]



2500	ON TAPE, REEL	BODY: COPPER PER ASTM B-152 TIN PL 0.00254 [.000100] MIN THK PER MIL-T-10727	55792-2
1000	LOOSE PIECE	INSULATION: VINYL COLOR: TRANSPARENT	55792-1
QTY	PACKAGE TYPE	MATERIAL & FINISH	PART NO
DO NOT SCALE PRINT. UNLESS SPECIFIED DIMENSIONS IN mm [INCHES] TOLERANCES ON: 2 PLC DEC ± - 3 PLC DEC ± - ANGLES ± -		DR 9/14/90 DK SCHRUM CHK 9/14/90 MS FEHER APPD 9/14/90 PJ RUELIUS APPD 9/19/90 TL SHUTTER PRODUCT SPEC UL 486A	AMP AMP Incorporated Harrisburg, PA 17105-3608 NAME SPLICE, BUTT, PLASTI-GRIP™ WIRE SIZE, 22-16 AWG
MATERIAL SEE TABLE		APPLICATION SPEC -	
FINISH SEE TABLE		WEIGHT -	SIZE B CAGE CODE 00779 DRAWING NO C-55792 SCALE 5:1 SHEET 1 OF 1

THIS DRAWING IS A CONTROLLED DOCUMENT FOR AMP INCORPORATED. IT IS SUBJECT TO CHANGE AND THE CONTROLLING ENGINEERING ORGANIZATION SHOULD BE CONTACTED FOR THE LATEST REVISION.

Mouser Electronics

Authorized Distributor

Click to View Pricing, Inventory, Delivery & Lifecycle Information:

[TE Connectivity:](#)

[8-55792-1](#)