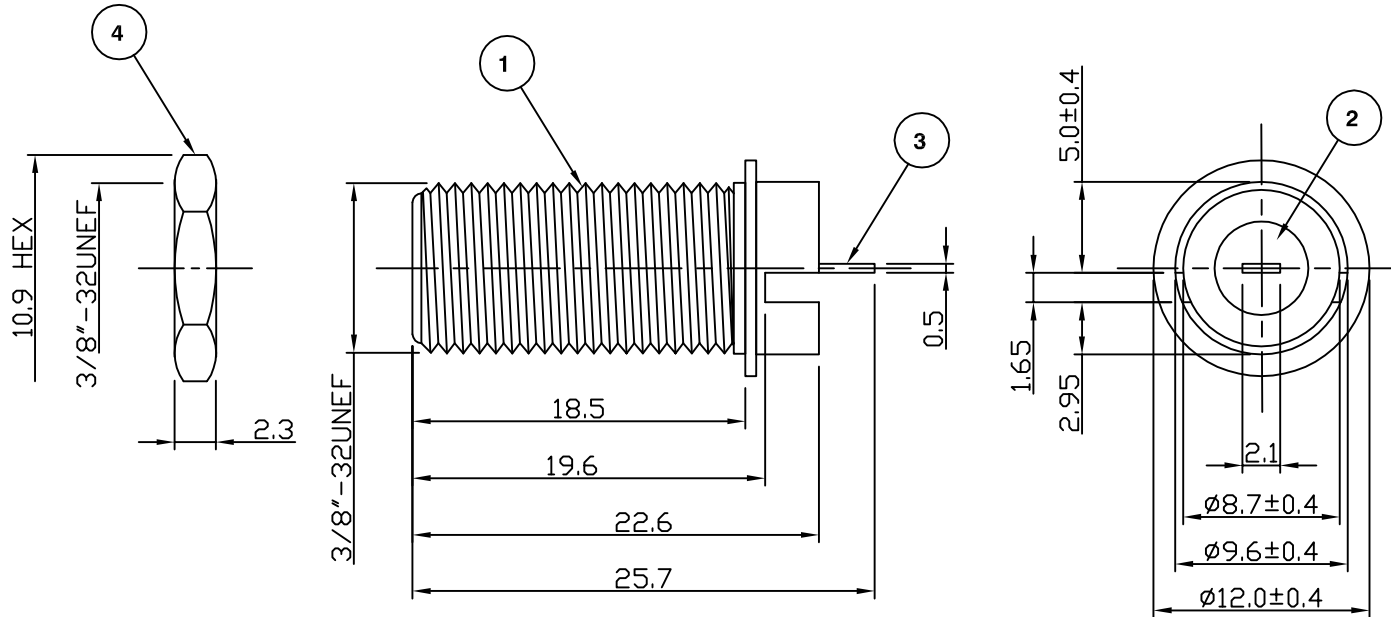


RoHS COMPLIANT



**Electrical Characteristics**

Nominal Impedance: 75 ohms  
 Frequency Range: DC to 2 GHz  
 Operating Voltage (rms): 250 V maximum at sea level

**Mechanical Characteristics**

Mating Cycles: 200 cycles minimum  
 Interface Dimensions: Conform to MIL-C-39012

**Environmental Characteristics**

Temperature Range: -55 °C to +85 °C

PART	DESCRIPTION
1	Body Brass, tin plated
2	Dielectric Polypropylene
3	Contact Brass, tin plated
4	Nut Steel, nickel plated

Up Issue	LB	4	20 Oct 11
CAD Issue	SN	3	26 Sep 02
Up Issue	DW	2	02 Jul 99
First Issue	AT	1	26 Oct 98
DESCRIPTION OF REVISION	APPVD	ISS	DATE



Cinch Connectivity Solutions  
 7-13 Russel Way,  
 Widford Industrial Estate,  
 Chelmsford, Essex,  
 CM1 3AA, UK.  
 Tel: +44 (0) 1245 359515  
 Fax: +44 (0) 1245 358938

SCALE: Not To Scale

DIMENSIONS: mm

TOLERANCES:  
 ± 0.2mm unless  
 otherwise stated

DRAWN BY:

S Nash

CHECKED BY:

P Couzens

APPROVED BY:

P Couzens

DATE:

26 Sep 02

TITLE:

F Edge Mount PCB Jack

PART NUMBER:

**VF312**

PAGE: 1 of 1

# Mouser Electronics

Authorized Distributor

Click to View Pricing, Inventory, Delivery & Lifecycle Information:

[Cinch Connectivity Solutions:](#)

[VF312](#)