

SCALA NON IMPERATIVA  
(DO NOT SCALE)  
DIMENSIONI IN mm  
(DIMENSIONS IN mm)

**METRIC**

PROIEZIONE EUROPEA  
(EUROPEAN PROJECTION)

A

B

C

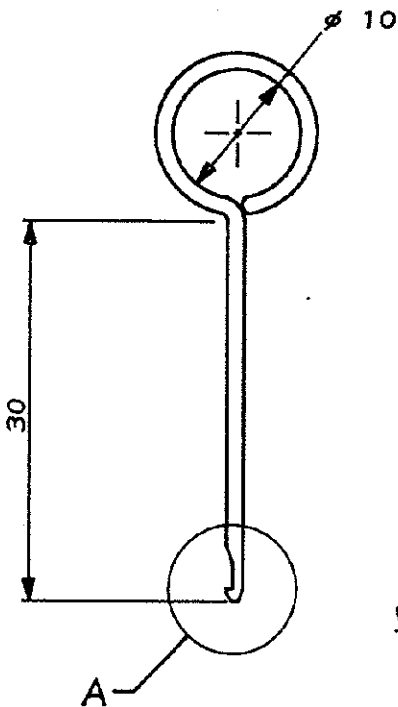
D

A

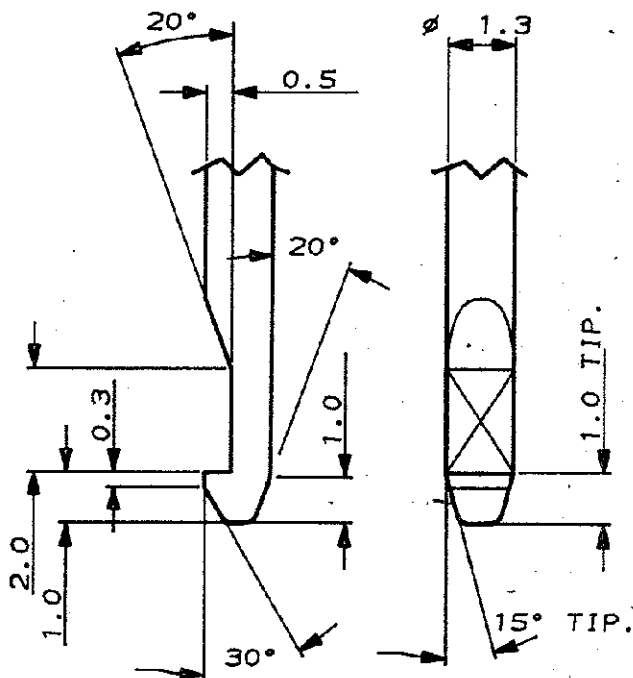
B

C

D



**DETTAGLIO A**



E

E

		ACCIAIO	785084-1
FINITURA / COLORE (FINISH / COLOUR)	MATERIALE (MATERIAL)	NUMERO (PART NUMBER)	
CUSTOMER DWG. FOR REFERENCE ONLY		DISEGNO PER CLIENTE SOLO PER RIFERIMENTO	
<del>THIS DRAWING IS UNPUBLISHED</del>		RELEASE FOR PUBLICATION	1991
© COPYRIGHT 1991 BY AMP INCORPORATED, HARRISBURG, PA. ALL INTERNATIONAL RIGHTS RESERVED. AMP PRODUCTS MAY BE COVERED BY U.S. AND FOREIGN PATENT AND/OR PATENT PENDING.			
TOLLERANZA, SE NON DIVERSAMENTE SPECIFICATO	DIAM. ISOLANTE (INS. DIA. RANGE)	RANGO FILE (WIRE RANGE)	SCALA (SCALE)
± 0.3	-	-	2:1
ANGOLI (ANGLES)	AMP ITALIA S.p.A. Corso F.lli Cervi, 15 COLLENO (TORINO)		
DIS. BASSANO (DR.)	DESCRIZIONE (DESCRIPTION)		
27 MAR. 91	ESTRATTORE PER SECONDARY LOCK		
CONT. - CONT. -	AMP SUPERSEAL 1.5 SRS MALE CONN.		
APP. CAPP. 2	LOC. SIZE	NUMERO (CODE NO)	REV. FORNITORE (DI COPY)
	IA4C	-785084	0

DISTRIBUZIONE  
PRINT DIST.

# Mouser Electronics

Authorized Distributor

Click to View Pricing, Inventory, Delivery & Lifecycle Information:

[TE Connectivity:](#)

[785084-1](#)