



BOARD LEVEL COOLING – Screw On 3210

Screw On 3210 is a series of two piece board level heat sinks designed to cool TO-5 and TO-39 devices. Representative image only.



ORDERING INFORMATION

Part Number	Device Type
321127B00000G	TO-5
321527A00000G	TO-5, TO-39
321527B00000G	TO-5, TO-39

HEAT SINK DETAILS

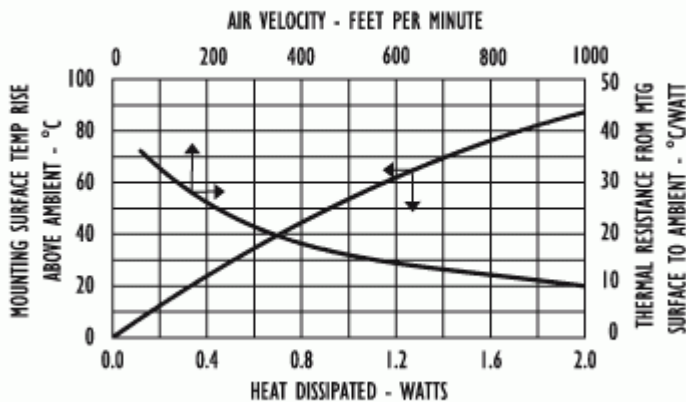
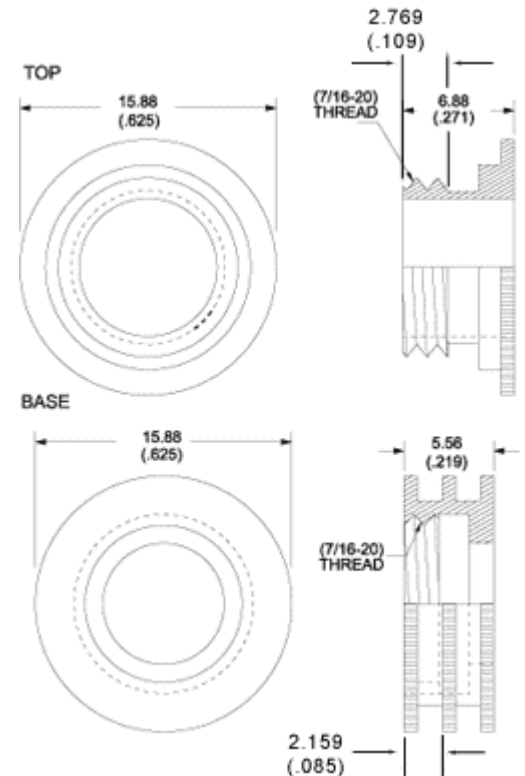
Property	Details
<i>Material</i>	Aluminum
<i>Finish: 321127B00000G</i>	Black Anodize
<i>Finish: 321527B00000G</i>	Black Anodize
<i>Finish: 321527A00000G</i>	Hard Black Anodize
<i>Device Attachment Options</i>	Screw-On
<i>Thermal Interface Material</i>	-
<i>Heat Sink Mounting Direction</i>	Horizontal, Vertical

MECHANICAL & PERFORMANCE

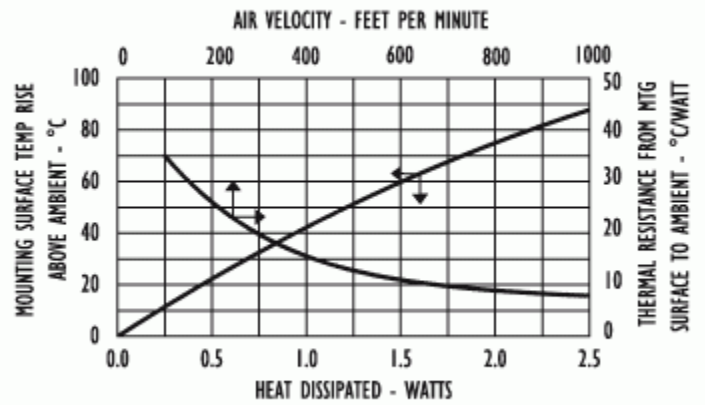
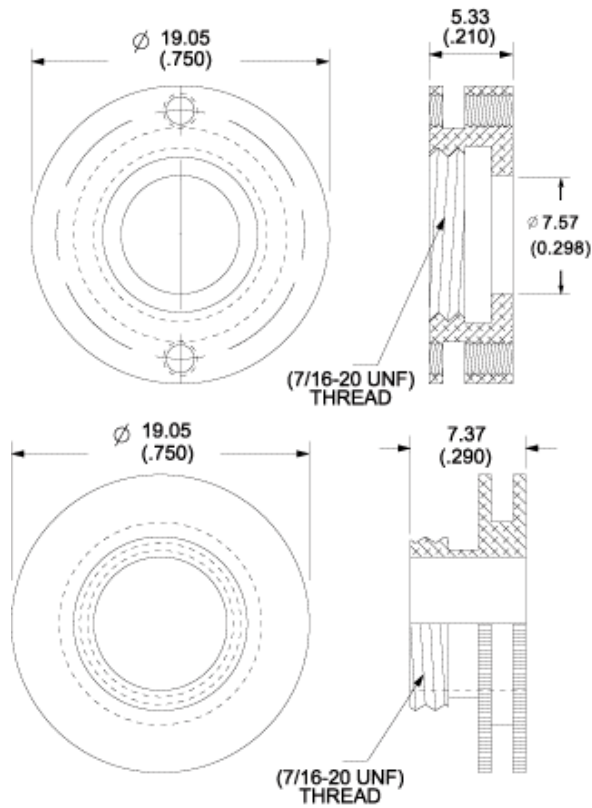
Drawing dimensions are shown in mm, (in)

Part Number	Heat Sink Length	Heat Sink Width	Heat Sink Height
321127B00000G	15.88	15.88	10.28
321527A00000G	19.05	19.05	10.55
321527B00000G	19.05	19.05	10.55

Part Number: 321127B00000G



Part Number: 321527A00000G, 321527B00000G



Mouser Electronics

Authorized Distributor

Click to View Pricing, Inventory, Delivery & Lifecycle Information:

[Aavid:](#)

[321527A00000G](#)

[Aavid Thermalloy:](#)

[321527B00000G](#) [321127B00000G](#)