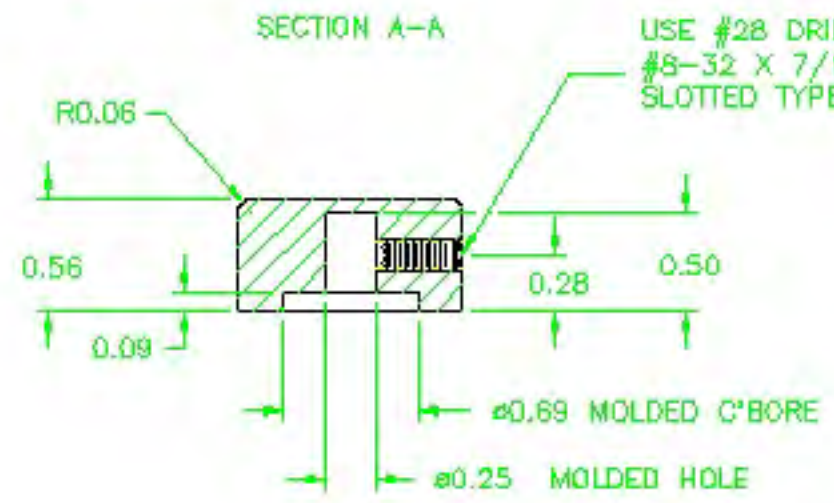
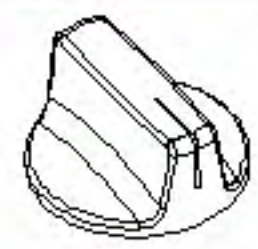


PAD PRINTED INDICATOR LINE (0.020 WIDE) IN-WHITE.  
 Ⓟ

SECTION A-A



USE #28 DRILL (0.140), #8-32 TAP, #8-32 X 7/16 LG. CUP POINTED, SLOTTED TYPE, SET SCREW 10022.



NOT TO SCALE/ FOR REFERENCE

MATERIAL: #2311 PLENCO PHENDLIC (B11)  
 COLOR: BLACK

Ⓐ

TOLERANCES: UNLESS OTHERWISE SPECIFIED	DO NOT SCALE DRAWING			
DECIMALS: X.XXX ± .005 X.XX ± .015	MM: X.XX ± 0.15MM X.X ± 0.4MM	B	DELETED "FLEED" FROM NAME	RF 7/31/02
FRACTIONS ± 1/64	ANG. ± 1'	-	UPDATED/140 TOOLBOOK	ST 4/25/01
		A	ADDED NEW TOOL BRUSH	HD 2/24/98
CHANGES				

# Mouser Electronics

Authorized Distributor

Click to View Pricing, Inventory, Delivery & Lifecycle Information:

[Davies Molding:](#)

[1500AU BLACK, LINED](#)