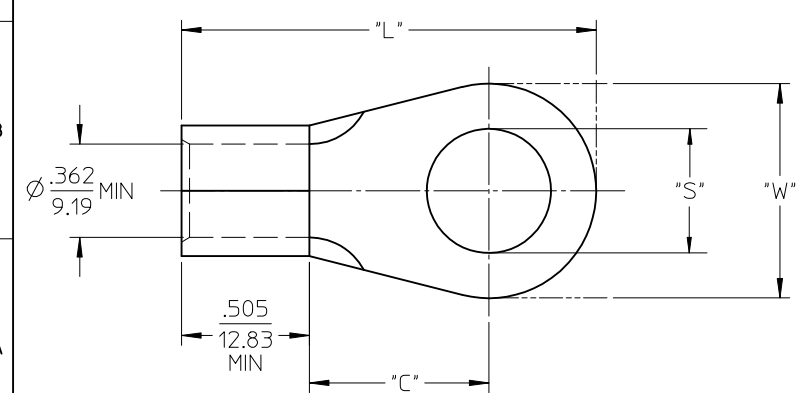
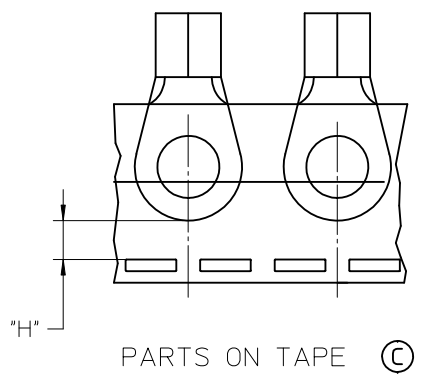


| | 10 | 9 | 8 | 7 | 6 | 5 | 4 | 3 | 2 | 1 |
|---|-----------------------------|--------------------------|------------------------------|--------------------------|--------------|-------------------|-------------|-------------|-------------|------------------|
| | MATERIAL NO. LOOSE PIECE | ENGINEERING P/N LOOSE | MATERIAL NO. TAPE MOUNTED | ENGINEERING P/N TAPED | STUD SIZE | "S" ±.005/0.13 | "W" MAX. | "C" MIN. | "L" MAX. | "H" ±.02 /0.5 |
| F | 191930303 | G-375-10 | 191930958 | G-375-10T | 10 | .198/5.03 | .645/16.38 | .703/17.86 | 1.583/40.21 | .43/10.9 |
| F | 191930305 | G-375-14 | 191930959 | G-375-14T | 1/4" | .265/6.73 | .645/16.38 | .703/17.86 | 1.583/40.21 | .43/10.9 |
| F | 191930309 | G-375-56 | 191930960 | G-375-56T | 5/16" | .328/8.33 | .645/16.38 | .703/17.86 | 1.583/40.21 | .43/10.9 |
| F | 191930307 | G-375-38 | 191930961 | G-375-38T | 3/8" | .390/9.91 | .645/16.38 | .703/17.86 | 1.583/40.21 | .43/10.9 |
| F | 191930311 | G-375-76 | - | - | 7/16" | .453/11.51 | .645/16.38 | .703/17.86 | 1.583/40.21 | - |
| F | 191930297 | G-374-14 | - | - | 1/4" | .265/6.73 | .879/22.33 | .703/17.86 | 1.700/43.18 | - |
| F | 191930299 | G-374-56 | - | - | 5/16" | .328/8.33 | .879/22.33 | .703/17.86 | 1.700/43.18 | - |
| F | 191930298 | G-374-38 | - | - | 3/8" | .390/9.91 | .879/22.33 | .703/17.86 | 1.700/43.18 | - |
| E | 191930302 | G-374-76 | 191930991 | G-374-76T | 7/16" | .453/11.51 | .879/22.33 | .703/17.86 | 1.700/43.18 | .31/7.9 |
| E | 191930296 | G-374-12 | 191930962 | G-374-12T | 1/2" | .515/13.08 | .879/22.33 | .703/17.86 | 1.700/43.18 | .31/7.9 |
| E | 191930301 | G-374-58 | 191930963 | G-374-58T | 5/8" | .653/16.59 (C) | .879/22.33 | .703/17.86 | 1.700/43.18 | .31/7.9 |
| E | 191930313 | G-376-14 | - | - | 1/4" | .265/6.73 | .895/22.73 | .990/25.15 | 1.995/50.67 | - |
| E | 191930315 | G-376-56 | - | - | 5/16" | .328/8.33 | .895/22.73 | .990/25.15 | 1.995/50.67 | - |
| E | 191930314 | G-376-38 | - | - | 3/8" | .390/9.91 | .895/22.73 | .990/25.15 | 1.995/50.67 | - |
| E | 191930317 | G-376-76 | - | - | 7/16" | .453/11.51 | .895/22.73 | .990/25.15 | 1.995/50.67 | - |
| D | 191930312 | G-376-12 | - | - | 1/2" | .515/13.08 | .895/22.73 | .990/25.15 | 1.995/50.67 | - |
| D | 191930316 | G-376-58 | - | - | 5/8" | .656/16.66 | .895/22.73 | .990/25.15 | 1.995/50.67 | - |
| D | 191930319 | G-377-14 | - | - | 1/4" | .265/6.73 | 1.270/32.26 | .990/25.15 | 2.183/55.45 | - |
| D | 191930322 | G-377-56 | - | - | 5/16" | .328/8.33 | 1.270/32.26 | .990/25.15 | 2.183/55.45 | - |
| D | 191930321 | G-377-38 | - | - | 3/8" | .390/9.91 | 1.270/32.26 | .990/25.15 | 2.183/55.45 | - |
| D | 191930324 | G-377-76 | - | - | 7/16" | .453/11.51 | 1.270/32.26 | .990/25.15 | 2.183/55.45 | - |
| D | 191930318 | G-377-12 | - | - | 1/2" | .515/13.08 | 1.270/32.26 | .990/25.15 | 2.183/55.45 | - |
| C | 191930611 | G-377-58 | - | - | 5/8" | .656/16.66 | 1.270/32.26 | .990/25.15 | 2.183/55.45 | - |
| C | 191930320 | G-377-34 | - | - | 3/4" | .781/19.84 | 1.270/32.26 | .990/25.15 | 2.183/55.45 | - |



- NOTES:
1. MATERIAL: MATTE-TIN PLATED COPPER
 2. WIRE SIZE: 2 AWG/ 26.6-42.4 mm²
 3. PARTS ARE ROHS COMPLIANT.

SALES DRAWING

REDRAWN FROM SD-19193-007, -028, -029, -030
DRAWN BY DLM 07/2003

| CONSOL. ADD TAPE EC NO: WNA2011-0538 DRAWN: ETHRODAHL 2011/05/05 CHKD: JMACNEIL 2011/05/05 APPR: JMACNEIL 2011/06/03 | DESCRIPTION REV | QUALITY SYMBOLS ▽=0 ▽=0 | GENERAL TOLERANCES (UNLESS SPECIFIED) <table border="1"> <tr> <th></th> <th>mm</th> <th>INCH</th> </tr> <tr> <td>4 PLACES</td> <td>± ---</td> <td>± ---</td> </tr> <tr> <td>3 PLACES</td> <td>± ---</td> <td>± .005</td> </tr> <tr> <td>2 PLACES</td> <td>± 0.13</td> <td>± .010</td> </tr> <tr> <td>1 PLACE</td> <td>± 0.25</td> <td>± .020</td> </tr> </table> | | mm | INCH | 4 PLACES | ± --- | ± --- | 3 PLACES | ± --- | ± .005 | 2 PLACES | ± 0.13 | ± .010 | 1 PLACE | ± 0.25 | ± .020 | DIMENSION STYLE IN/MM | SCALE --- | DESIGN UNITS INCH | THIRD ANGLE PROJECTION |
|--|--------------------|-------------------------------|---|--------------------|--|------------------------------|---------------------|-------|-------|----------|-------|--------|----------|--------|--------|---------|--------|--------|--------------------------|--------------|----------------------|------------------------|
| | | | mm | INCH | | | | | | | | | | | | | | | | | | |
| | | 4 PLACES | ± --- | ± --- | | | | | | | | | | | | | | | | | | |
| | | 3 PLACES | ± --- | ± .005 | | | | | | | | | | | | | | | | | | |
| 2 PLACES | ± 0.13 | ± .010 | | | | | | | | | | | | | | | | | | | | |
| 1 PLACE | ± 0.25 | ± .020 | | | | | | | | | | | | | | | | | | | | |
| DRAFT WHERE APPLICABLE MUST REMAIN WITHIN DIMENSIONS | | | DRAWN BY ETHRODAHL 2011/05/05 | DATE 2011/05/05 | TITLE RING TONGUE TERMINAL VERSAKRIMP, 2 AWG | | | | | | | | | | | | | | | | | |
| | | | CHECKED BY JMACNEIL 2011/05/05 | DATE 2011/05/05 | Molex MOLEX INCORPORATED | | | | | | | | | | | | | | | | | |
| | | | APPROVED BY JMACNEIL 2011/06/03 | DATE 2011/06/03 | MATERIAL NO. SEE CHART | DOCUMENT NO. SD-19193-038 | SHEET NO. 1 OF 1 | | | | | | | | | | | | | | | |

Mouser Electronics

Authorized Distributor

Click to View Pricing, Inventory, Delivery & Lifecycle Information:

[Molex:](#)

[19193-0315](#)