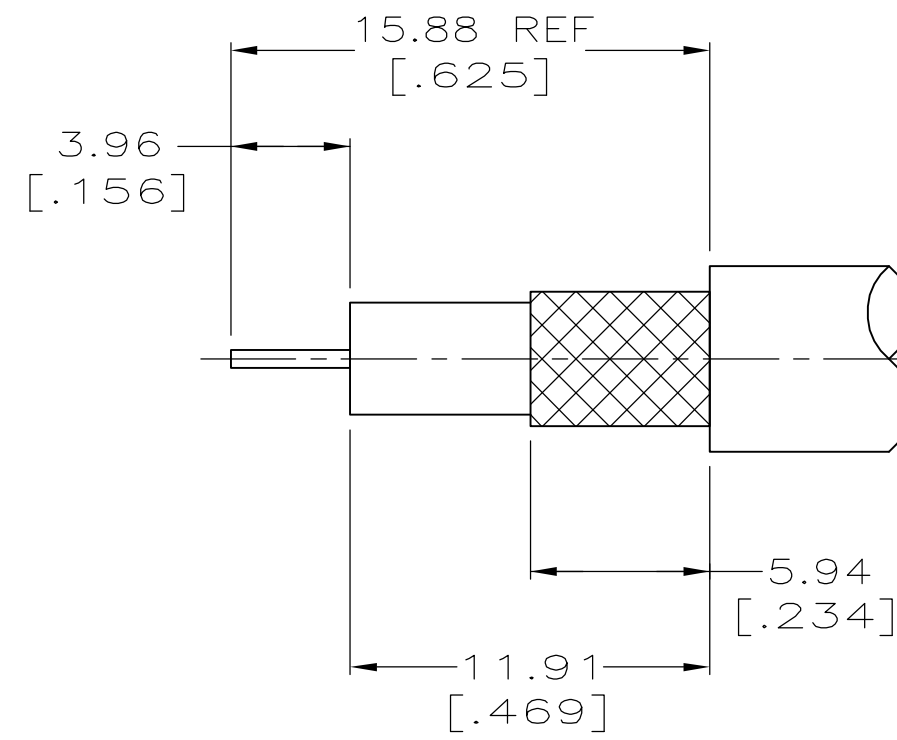
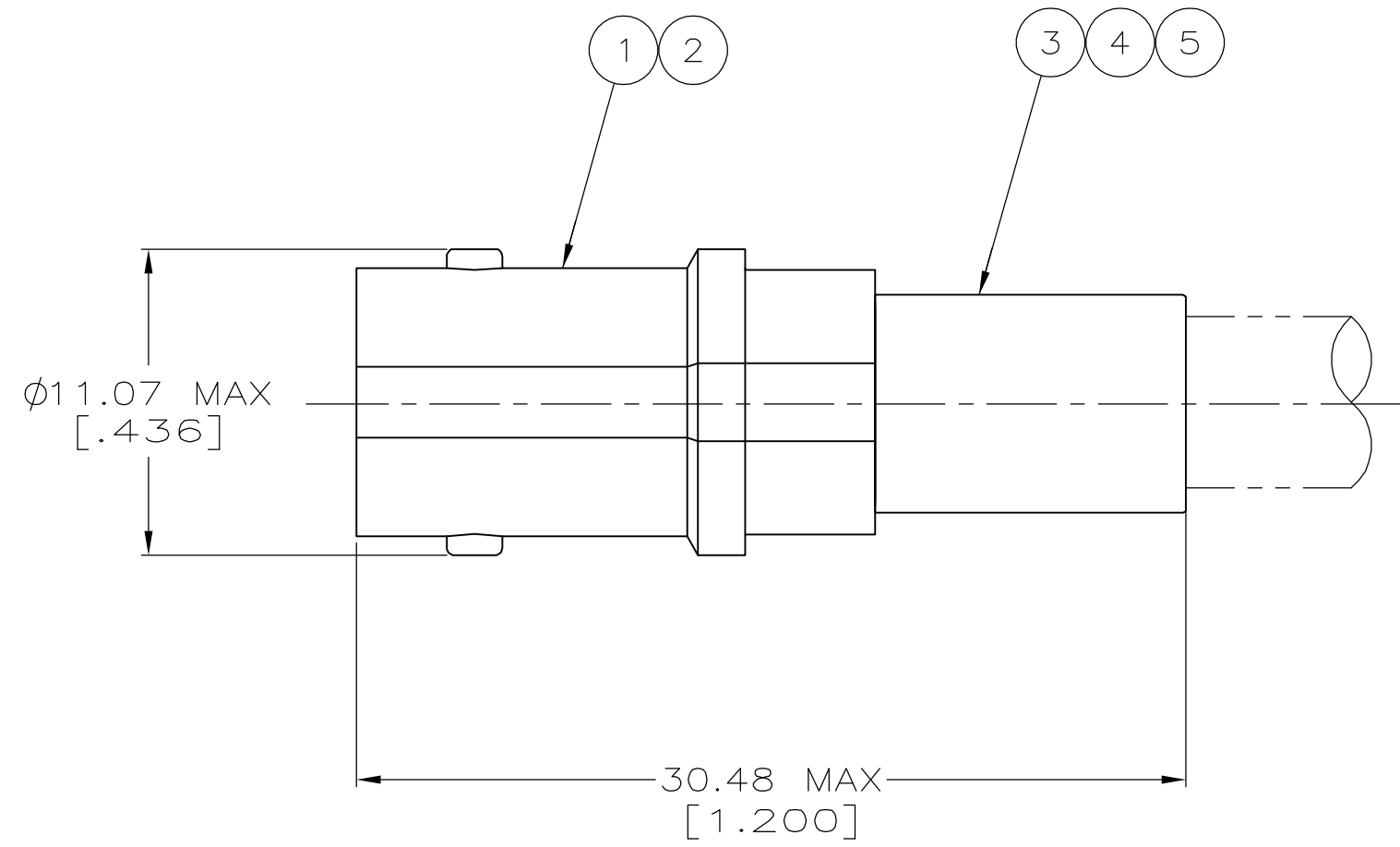


THIS DRAWING IS UNPUBLISHED. RELEASED FOR PUBLICATION
 © COPYRIGHT BY TYCO ELECTRONICS CORPORATION. ALL RIGHTS RESERVED.

LOC	DIST	REVISIONS			
P	LTR	DESCRIPTION	DATE	DWN	APVD
AJ	17	A	REVISED PER EC OS14-0150-05	30AUG05	BM JL



RECOMMENDED STRIP LENGTH

- 1. USE WITH PRO-CRIMPER 354940-1.
- 2. USE INSTRUCTION SHEET 408-9090.
- 3. DIELECTRIC MUST WITHSHAND A 5 LB PUSH OUT FORCE.

RG-179	58304-1	222001-8	227194-2	9-328666-0	2-221200-0	221202-3	5221199-5
RG-59/U,59A/U & 59B/U	58085-1	-	-	9-50428-0	221200-3	221202-2	5221199-2
BELDEN 9248, MADISON 18AWG	58086-1	-	-	9-50427-0	3-221200-2	221202-1	5221199-1
FOR USE WITH CABLE	DIE SET	5 TUBING, METAL QTY=1	4 TUBING, PLASTIC QTY=1	3 FERRULE QTY=1	2 CONTACT QTY=1	1 JACK ASSEMBLY QTY=1	PART NUMBER

THIS DRAWING IS A CONTROLLED DOCUMENT.

DWN	J. HAVENER	24JAN2005
CHK	J. HAVENER	25JAN2005
APVD	J. LIPPERT	25JAN2005

Product Name: JACK, 75 OHM, BNC

Part Number: 108-12095

Customer Drawing: A2 00779 C=5221199

Scale: 4:1, Sheet 1 of 1, Rev A

Mouser Electronics

Authorized Distributor

Click to View Pricing, Inventory, Delivery & Lifecycle Information:

[TE Connectivity:](#)

[5221199-5](#)