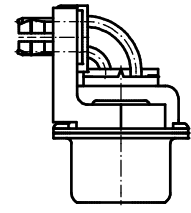
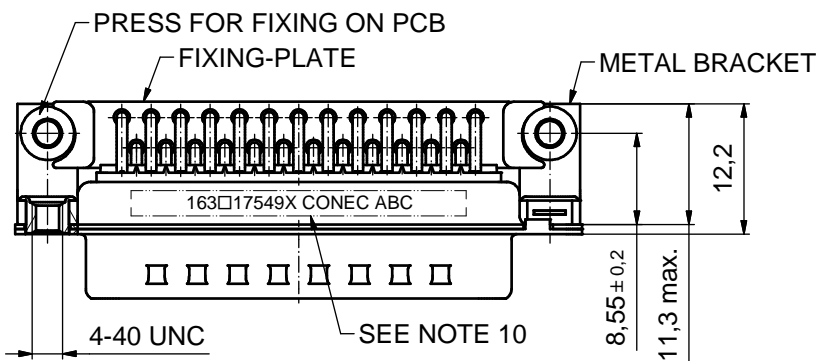
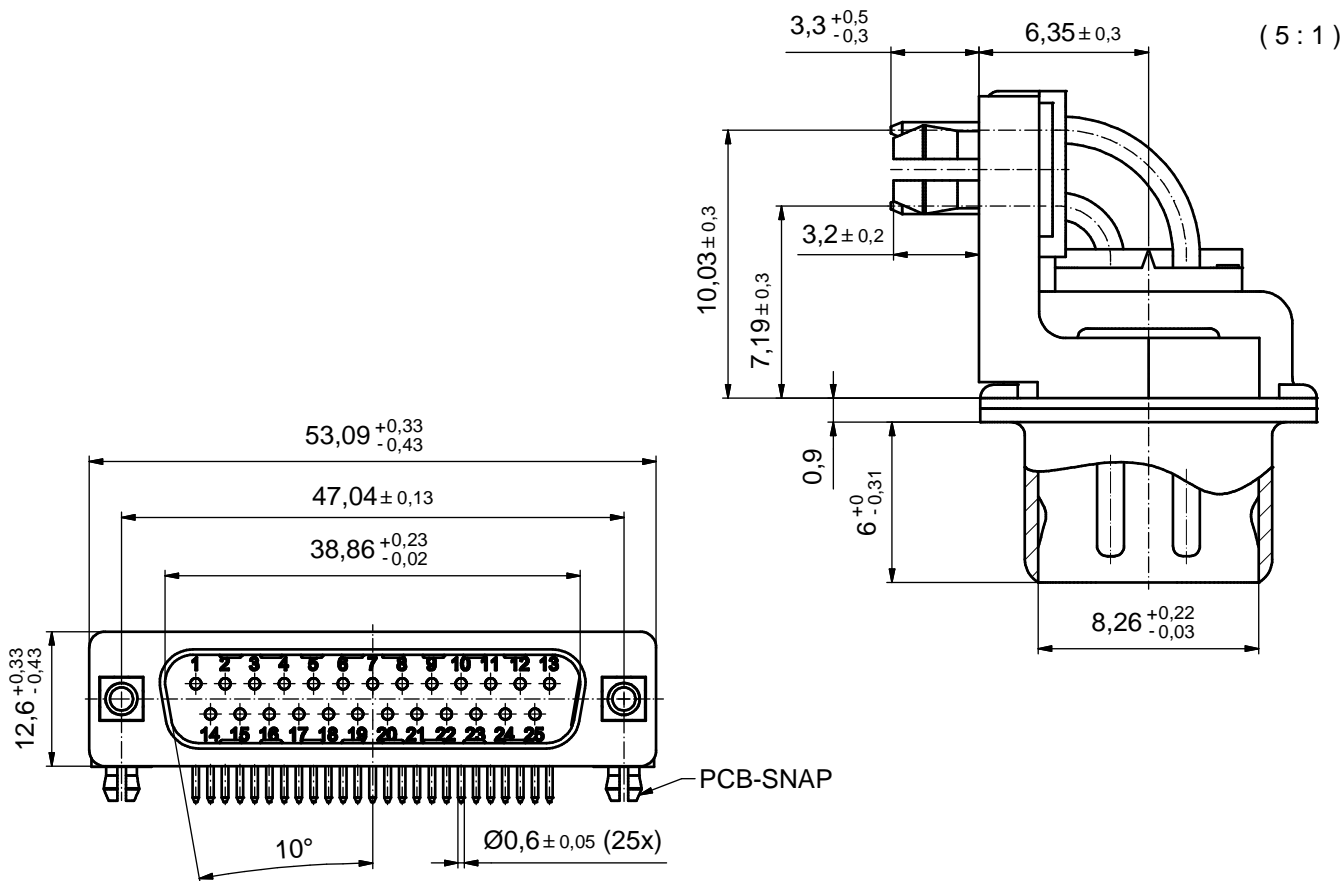
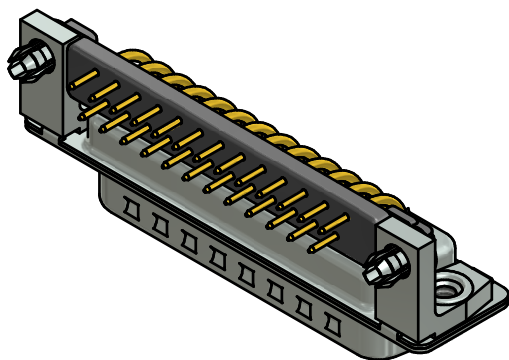


6 5 4 3 2 1



NOTES:

1. METALSHELLS: STEEL; min. 315µm TIN over 40-80µm NICKEL
2. INSULATORS: PBT GF UL 94 V-0, BLACK
3. SIGNAL CONTACTS: COPPER ALLOY; PLATING (SEE PART NO.):
 - (b) □ PLEASE ADD A for GOLD FLASH over NICKEL (PREFERRED TYPE)
 - PLEASE ADD B for 20µm HARD GOLD over min. 50µm NICKEL
 - PLEASE ADD C for 30µm HARD GOLD over min. 50µm NICKEL
 - PLEASE ADD J for 50µm HARD GOLD over min. 50µm NICKEL
4. METAL BRACKETS: ZINC DIE CAST; 300µm COPPER/40-120µm NICKEL/120-200µm TIN
5. THREADED INSERTS: COPPER ALLOY; min. 200µm TIN over 80µm NICKEL
6. PCB-SNAPS: COPPER ALLOY; min. 200µm TIN over 80µm NICKEL
PCB-HOLE: Ø3.1±0.1; PCB THICKNESS 1.6mm
7. FIXING-PLATE: PBT GF UL 94 V-0, BLACK
8. MAXIMUM TORQUE VALUE FOR THREAD: 6 in.LB
9. P.C.B. HOLE DRILLINGS ON SHEET 2
10. CONNECTOR IS PART MARKED: 163□17549X CONEC ABC (see note 3)



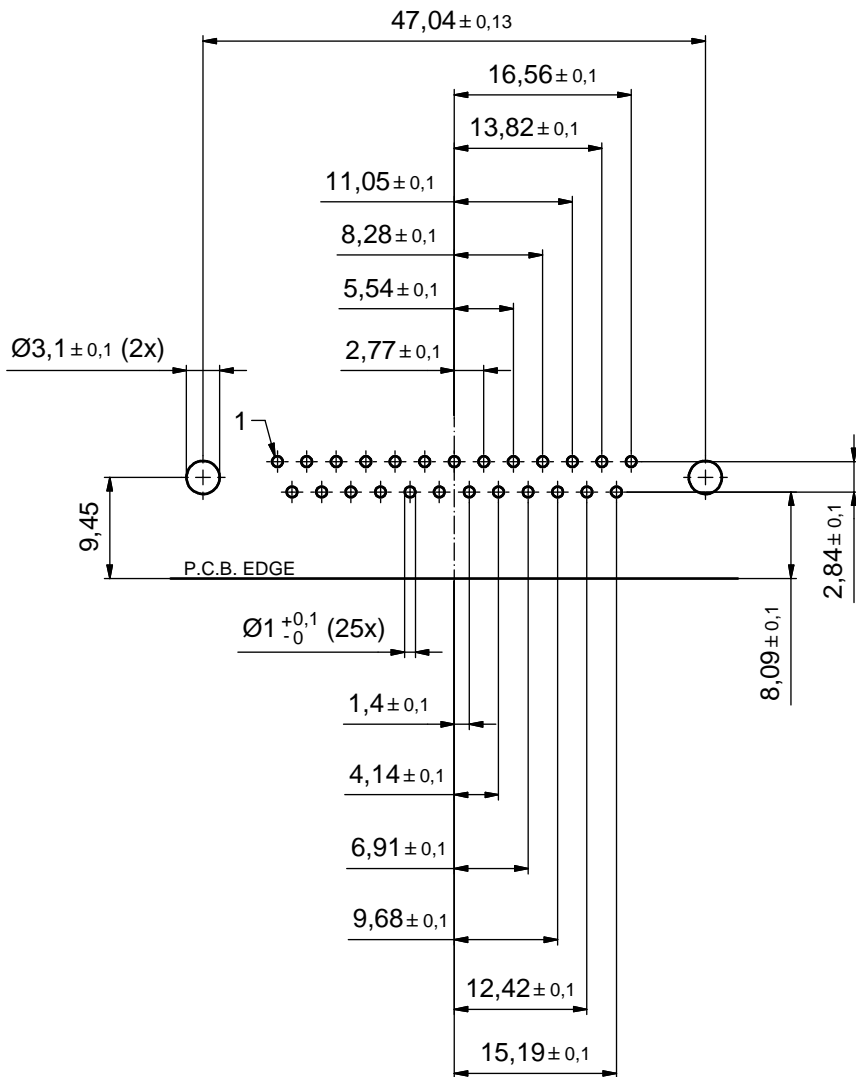
Directive 2002/95/EC RoHS compliant

THIS DRAWING MAY NOT BE COPIED OR REPRODUCED IN ANY WAY, AND MAY NOT BE PASSED ON TO A THIRD PARTY WITHOUT WRITTEN PERMISSION. OWNERSHIP AND COPYRIGHT OF CONEC GmbH DO NOT ALTER CAD DRAWING BY HAND	tolerance		dim. in mm		scale: 2:1 (5:1)	
					material: SEE NOTES	
			date		title:	
			name		D-SUB MALE 90° 25pos. SOLDER PIN ANGLED 0.318inch threaded insert, metal bracket, fixing-plate, snap	
			drawn 05.11.13 Henneboel			
			appd. 05.11.13 Lehmenkühler			
			norm			
			d-old 16K1A022A/16K1A682/16K2A682		dwg no:	
	3 x b		Ä4946		DIN-A3	
	a		Original		sh: 1/2	
rev. description		date		part no: (b) 163□17549X (see note 3)		

6 5 4 3 2 1

P.C.B. HOLE DRILLINGS

(P.C.B. TOP SIDE)



<p style="writing-mode: vertical-rl; transform: rotate(180deg);"> THIS DRAWING MAY NOT BE COPIED OR REPRODUCED IN ANY WAY AND MAY NOT BE PASSED ON TO A THIRD PARTY WITHOUT WRITTEN PERMISSION. OWNERSHIP AND COPYRIGHT OF CONEC GmbH DO NOT ALTER CAD DRAWING BY HAND </p>				tolerance		scale: 2:1	
				date	name	material: see sheet 1	
				drawn	05.11.13	Henneboel	title: P.C.B. HOLE DRILLINGS D-SUB MALE 90°25pos. solder pin angled threaded insert, metal bracket, fixing-plate, snap
				appd.	05.11.13	Lehmenkühler	
				norm			
			d-old			dwg no:	
	a	Original				16K1A3319	DIN-A3
rev.	description	date				name	part no: SEE SHEET 1

Mouser Electronics

Authorized Distributor

Click to View Pricing, Inventory, Delivery & Lifecycle Information:

[CONEC:](#)

[163A17549X](#)