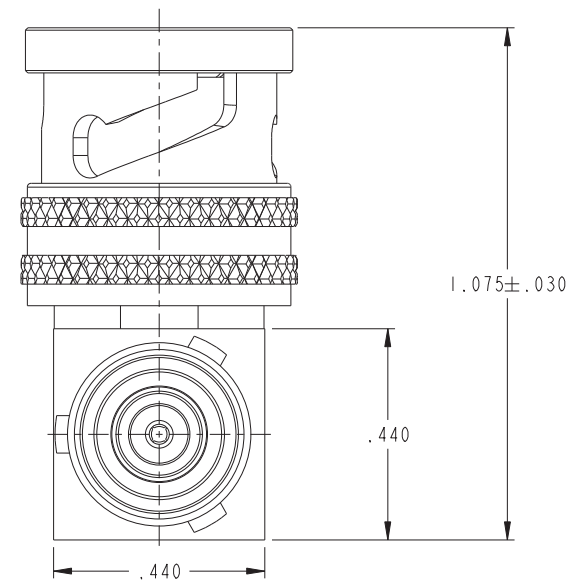
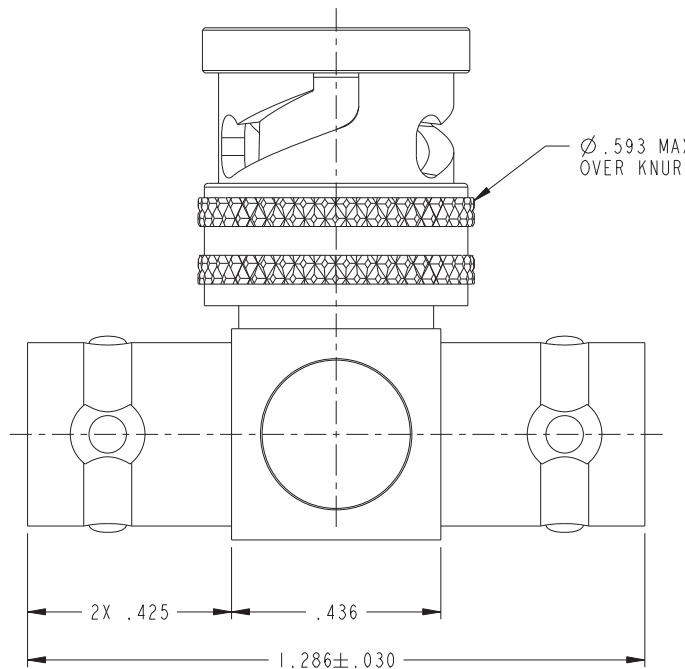
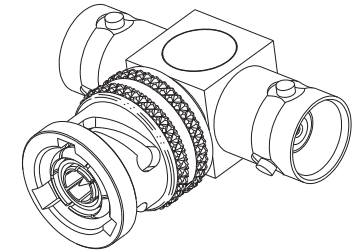


DASH NUMBER	MODEL NUMBER	CONNECTOR TYPE
-1	BN73	3-LUG
-2	BN73TL	2-LUG
-3	BN73FL	4-LUG
-4	BN373	THREADED



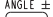

ZONE	REV	ECO	DESCRIPTION	APPROVER	DATE
	L	16615		L.M.	7/25/08
	M	53698		T. KOHLER	9/30/11



-1 SHOWN

2. FINISH: NICKEL

1. CONCENTRIC TWINAX/TRIAX 2-LUG, 3-LUG, 4-LUG, & THREADED BAYONET TEE

 <small>cinch</small> <small>CONNECTIVITY SOLUTIONS</small> <small>a bel group</small>	MODEL NO.		 <small>TROMPETER</small> <small>RF connectivity</small> <small>a cinch connectivity solutions brand</small>		
	CAGE CODE 14949				TITLE BN73, BN73TL, BN73FL, BN373
<small>This PROPRIETARY Document is property of Cinch Connectivity Solutions. It is confidential in nature, non-transferable, and issued with the clear understanding that it is not traced or copied without permission and is returnable upon demand.</small>	<small>UNLESS OTHERWISE SPECIFIED UNITS: INCH</small> .XX ± .02 .XXX ± .010 .XXXX ± .005 ANGLE ± 1° 00'  CRITICAL	<small>3RD ANGLE PROJECTION</small> 	<small>DRAWN BY</small> C. WALLACE <small>DATE</small> 10/3/11	<small>DRAWING NO.</small> 3-0004 <small>REV.</small> M	<small>FINISH</small> 
	<small>APPROVED BY</small> T. KOHLER	<small>DATE</small> 10/4/11	<small>SIZE</small> C	<small>DO NOT SCALE DRAWING</small>	<small>SCALE</small> 5:1

# Mouser Electronics

Authorized Distributor

Click to View Pricing, Inventory, Delivery & Lifecycle Information:

[Cinch Connectivity Solutions:](#)

[BN73](#)