

THIS DRAWING IS UNPUBLISHED.

RELEASED FOR PUBLICATION

20

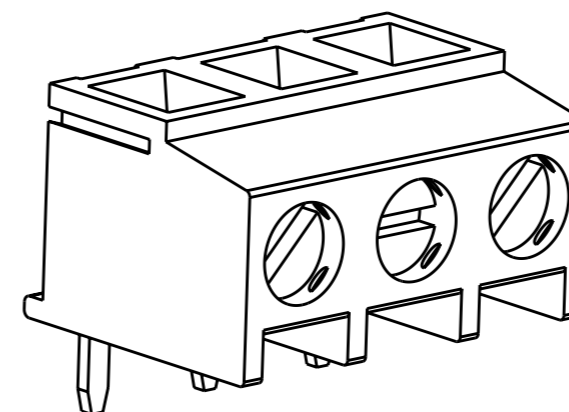
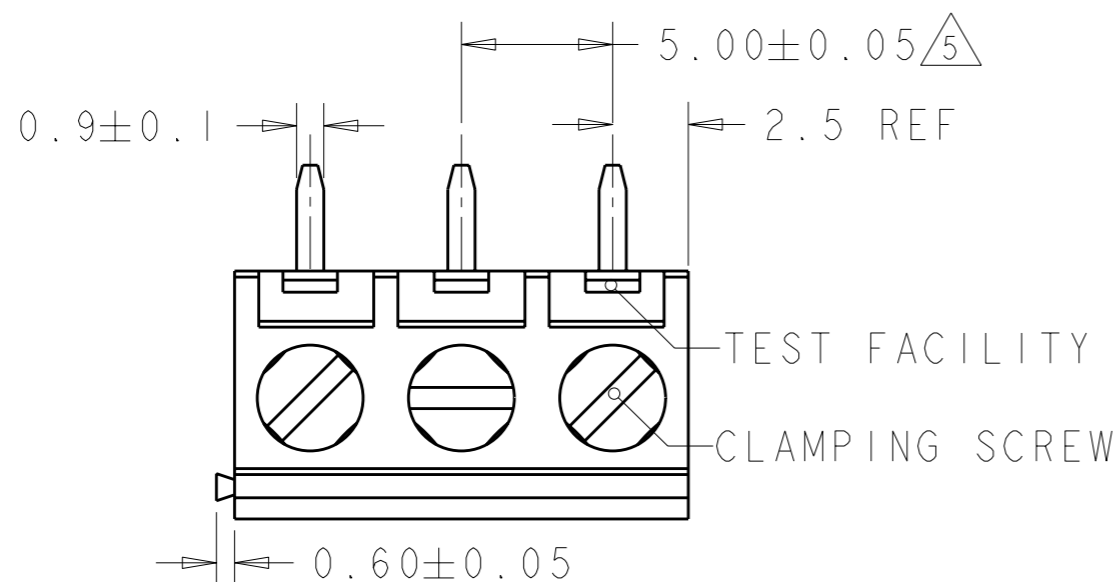
© COPYRIGHT 20 BY -

ALL RIGHTS RESERVED.

LOC	DIST
FT	0

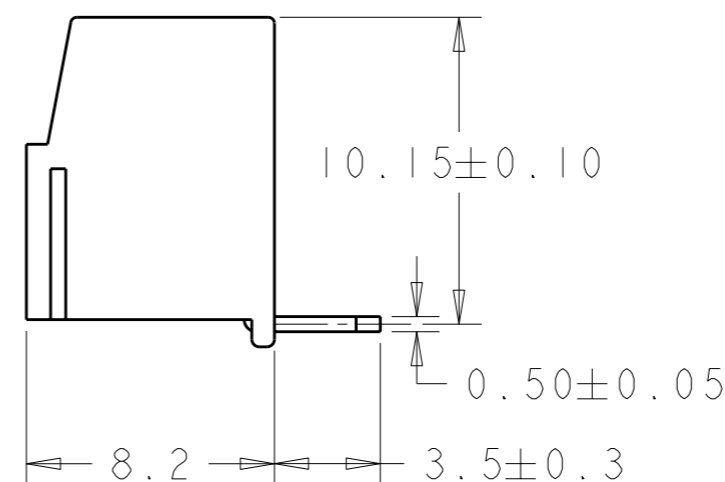
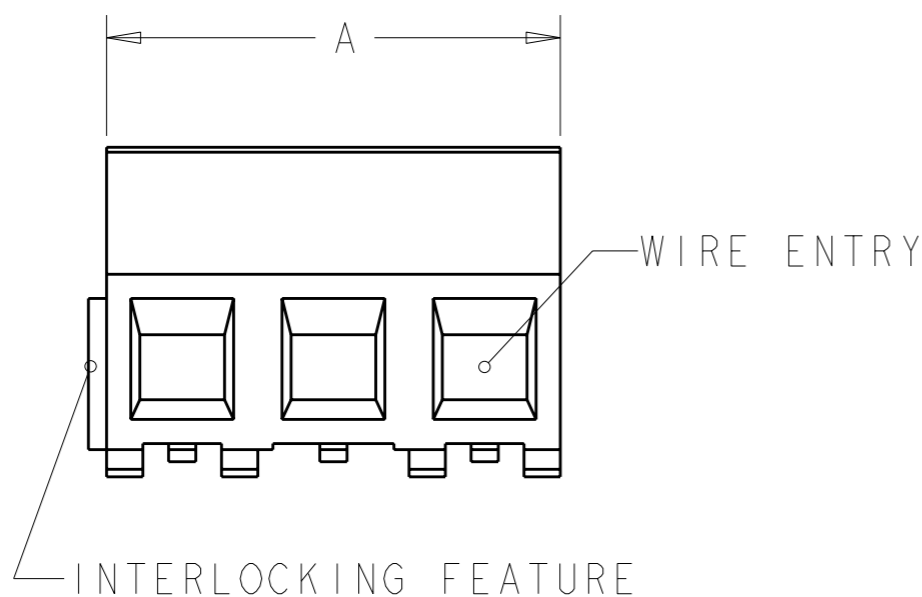
REVISIONS

P	LTR	DESCRIPTION	DATE	DWN	APVD
	D2	REVISED PER ECO-11-005027	14MAR2011	RK	HMR

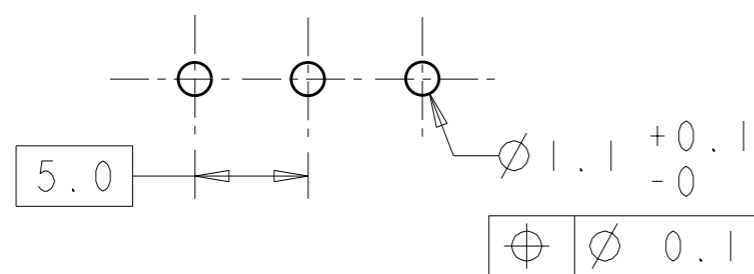


284093-3 AS SHOWN

125	25	2-284093-5
120	24	2-284093-4
115	23	2-284093-3
110	22	2-284093-2
105	21	2-284093-1
100	20	2-284093-0
95	19	1-284093-9
90	18	1-284093-8
85	17	1-284093-7
80	16	1-284093-6
75	15	1-282093-5
70	14	1-284093-4
65	13	1-284093-3
60	12	1-284093-2
55	11	1-284093-1
50	10	1-284093-0
45	9	284093-9
40	8	284093-8
35	7	284093-7
30	6	284093-6
25	5	284093-5
20	4	284093-4
15	3	284093-3
10	2	284093-2



RECOMMENDED PC BOARD LAYOUT



THIS DRAWING IS A CONTROLLED DOCUMENT.

DIMENSIONS:	TOLERANCES UNLESS OTHERWISE SPECIFIED:
mm	0 PLC ±.3
	1 PLC ±.25
	2 PLC ±.25
	3 PLC ±.
	4 PLC ±.
	ANGLES ±2

MATERIAL	FINISH

DWN	E. ZANOLINI
CHK	D. BIEVENOUR
APVD	D. BIEVENOUR
PRODUCT SPEC	10820166
APPLICATION SPEC	114-20079
WEIGHT	-

STE TE Connectivity



NAME: TERMINAL BLOCK, PCB MOUNT
TOP ENTRY WIRE, STACKING
W/INTERLOCK, 5.00mm PITCH


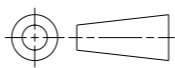
SIZE	CAGE CODE	DRAWING NO	RESTRICTED TO
A3	00779	C-284093	-

CUSTOMER DRAWING SCALE 4:1 SHEET 1 OF 2 REV D2

THIS DRAWING IS UNPUBLISHED. RELEASED FOR PUBLICATION 20
 © COPYRIGHT 20 BY - ALL RIGHTS RESERVED.

LOC	DIST	REVISIONS			
P	LTR	DESCRIPTION	DATE	DWN	APVD
		SEE SHEET 1	-	-	-

- 1  MATERIALS AND FINISH
 HOUSING: PA 6-6, UL 94-V0, COLOR GREEN.
 CLAMP: BRASS, NICKEL PLATED.
 TERMINAL: BRASS, TIN PLATED.
 CLAMPING SCREW: M3, BRASS, NICKEL PLATED.
- 2 SUITABLE FOR 1,6-2,4mm PC BOARD THICKNESS.
- 3 END-TO-END STACKABLE W/INTERLOCK WITHOUT LOSS OF CENTERLINE SPACING.
- 4 WIRE SIZE RANGE
 SOLID WIRE: 0,03-1,5mm² (15AWG).
 STRANDED WIRE: 0,03-1mm² (17AWG).
- 5  NOT CUMULATIVE TOLERANCE.
- 6 PART COMPLIES WITH EN 60335-1.

THIS DRAWING IS A CONTROLLED DOCUMENT.		DWN E. ZANOLINI	 TE Connectivity			
DIMENSIONS: mm		CHK D. BIEVENOUR			NAME	
		APVD D. BIEVENOUR			TERMINAL BLOCK, PCB MOUNT TOP ENTRY WIRE, STACKING W/INTERLOCK, 5.00mm PITCH	
TOLERANCES UNLESS OTHERWISE SPECIFIED: 0 PLC ±- 1 PLC ±- 2 PLC ±- 3 PLC ±- 4 PLC ±- ANGLES ±2		PRODUCT SPEC -			APPLICATION SPEC -	
MATERIAL -	FINISH -	WEIGHT -	SIZE A3	CAGE CODE 00779	DRAWING NO C-284093	RESTRICTED TO -
CUSTOMER DRAWING			SCALE 4:1	SHEET 2	OF 2	REV D2

Mouser Electronics

Authorized Distributor

Click to View Pricing, Inventory, Delivery & Lifecycle Information:

[TE Connectivity:](#)

[284093-2](#)