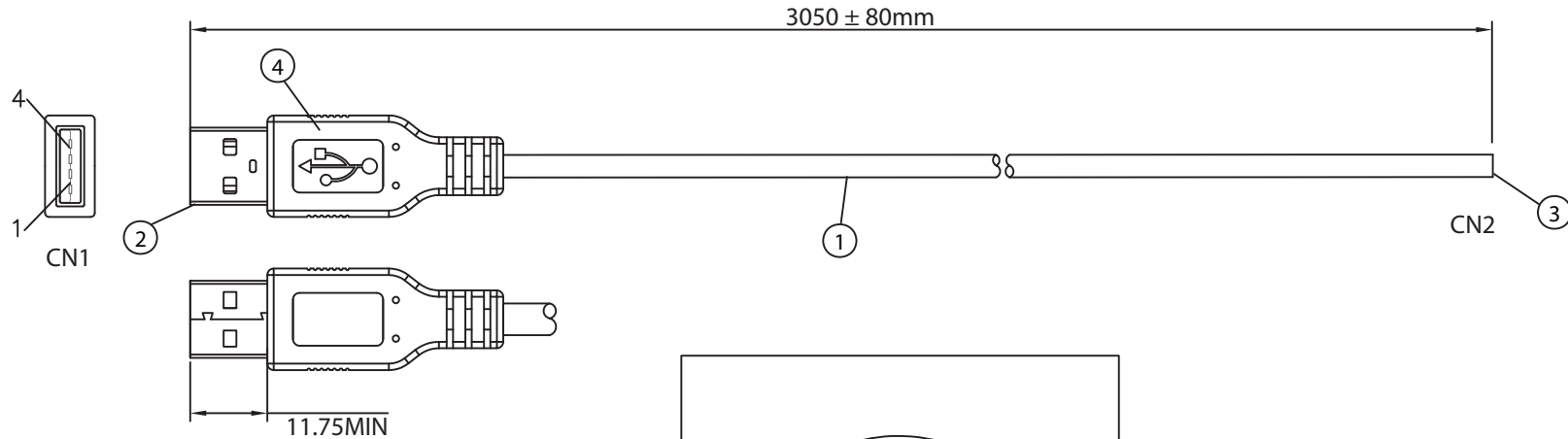
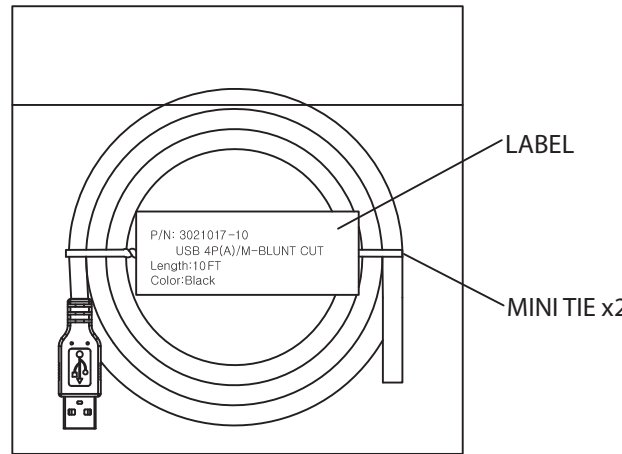


THESE DRAWINGS ARE THE PROPERTY OF QUALTEK ELECTRONICS AND NOT TO BE REPRODUCED FOR OR COMMUNICATED TO A THIRD PARTY WITHOUT THE EXPRESS WRITTEN PERMISSION OF AN OFFICER OF QUALTEK ELECTRONICS.

REVISION			
REV.	DESCRIPTION	DATE	APPROVED
B	Updated Specifications	02-09-12	LY



P/N: 3021017-10
 USB 4P(A)/M-BLUNT CUT
 Length:10FT
 Color:Black



CN1	CONNECTION	CN2
1	RED	OPEN
2	WHITE	OPEN
3	GREEN	OPEN
4	BLACK	OPEN
SHELL	BRAID&DRAIN	OPEN

NOTES:

- CABLE: UL2725 26/28AWG
 28AWGx1P+26AWGx2C+ AEB(AL) 65%
 OUTER JACKET: BLACK, OD: 4.2 ± 0.2mm
- CONNECTOR: USB A TYPE MALE
 INSULATOR: WHITE PBT
 PIN G/F
 NICKEL PLATED SHELL
- BLUNT CUT
- PVC MOLDED: COLOR V398 45P BLACK
- ELECTRICAL TEST:
 <1>.100% OPEN SHORT & MISS WIRE TEST
 <2>.INSULATION RESISTANCE: DC400V 10M ohm MIN.
 <3>.CONDUCTOR RESISTANCE: 3 ohm MAX.
- PACKING: 1PC/POLYBAG W/ LABEL

CONTROLLED

Dim range (mm)	Tolerance +/- (mm)	Qualtek Electronics Corp. WCI DIVISION		
		Part Number: 3021017-10	RoHS Compliant	
0-1	0.15	Description: USB 4P(A)/M - BLUNT CUT		
1-6	0.20			
6-18	0.30		UNIT: mm	REV. B
18-50	0.50			
50-120	0.70	Drawn / Date	Checked / Date	Approved / Date
120-250	0.90	B.Grubb 01-26-07	01-26-07	JJH / 01-26-07
250-500	1.20			

Mouser Electronics

Authorized Distributor

Click to View Pricing, Inventory, Delivery & Lifecycle Information:

[Qualtek:](#)

[3021017-10](#)