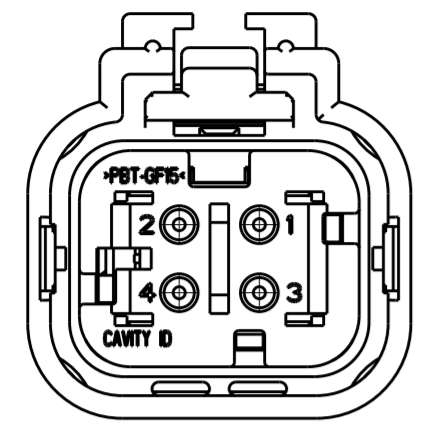
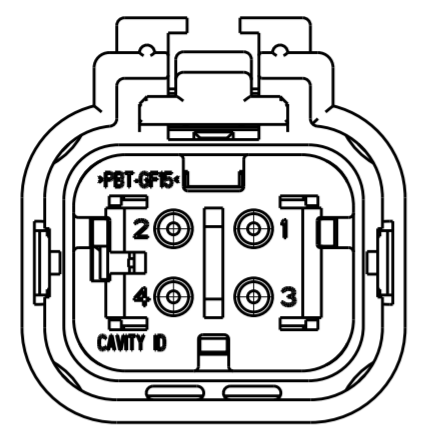


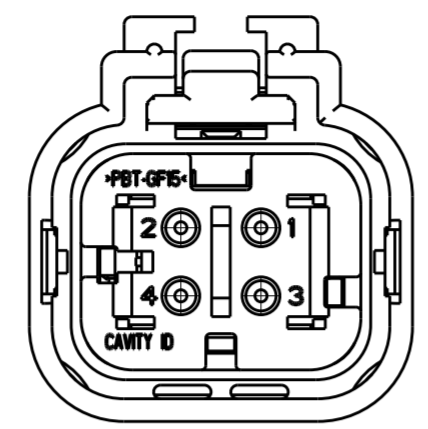
REVISIONS					
P	LTR	DESCRIPTION	DATE	DWN	APVD
C	I	REVISED PER ECO-11-005294	30APR2011	RK	HMR
D	D	REVISED PER ECO-13-019168	05DEC2013	DR	RB



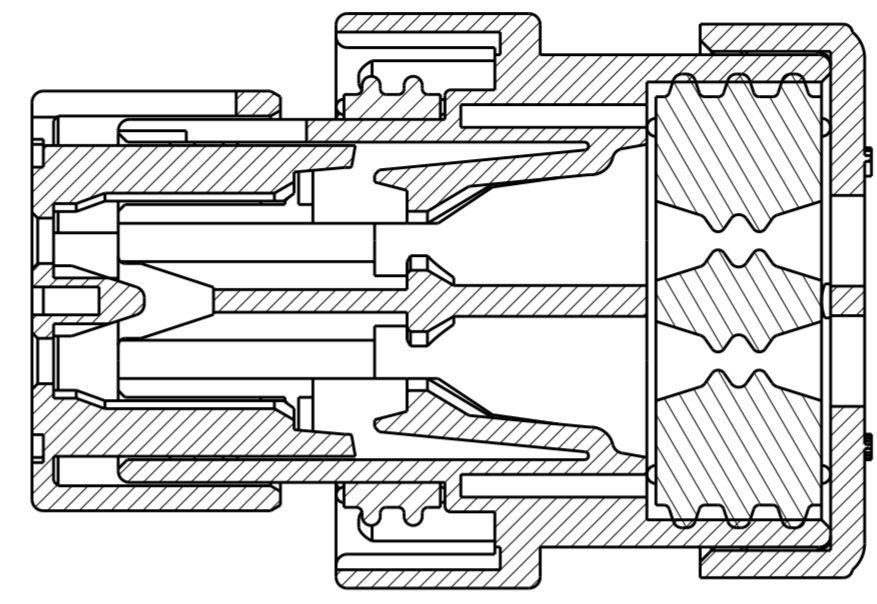
776524-2
SCALE 2:1



776524-3
SCALE 2:1

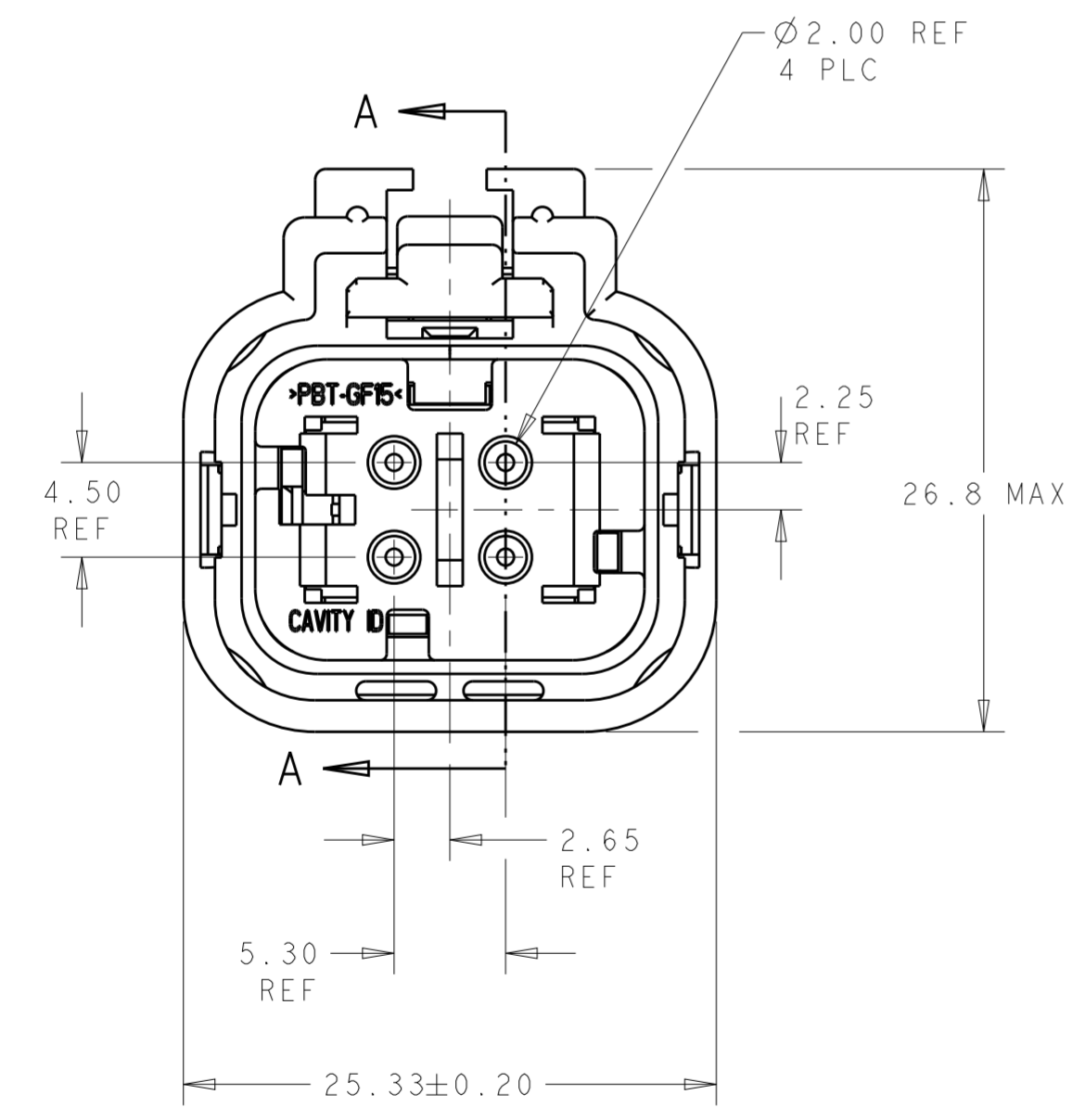


776524-4
SCALE 2:1

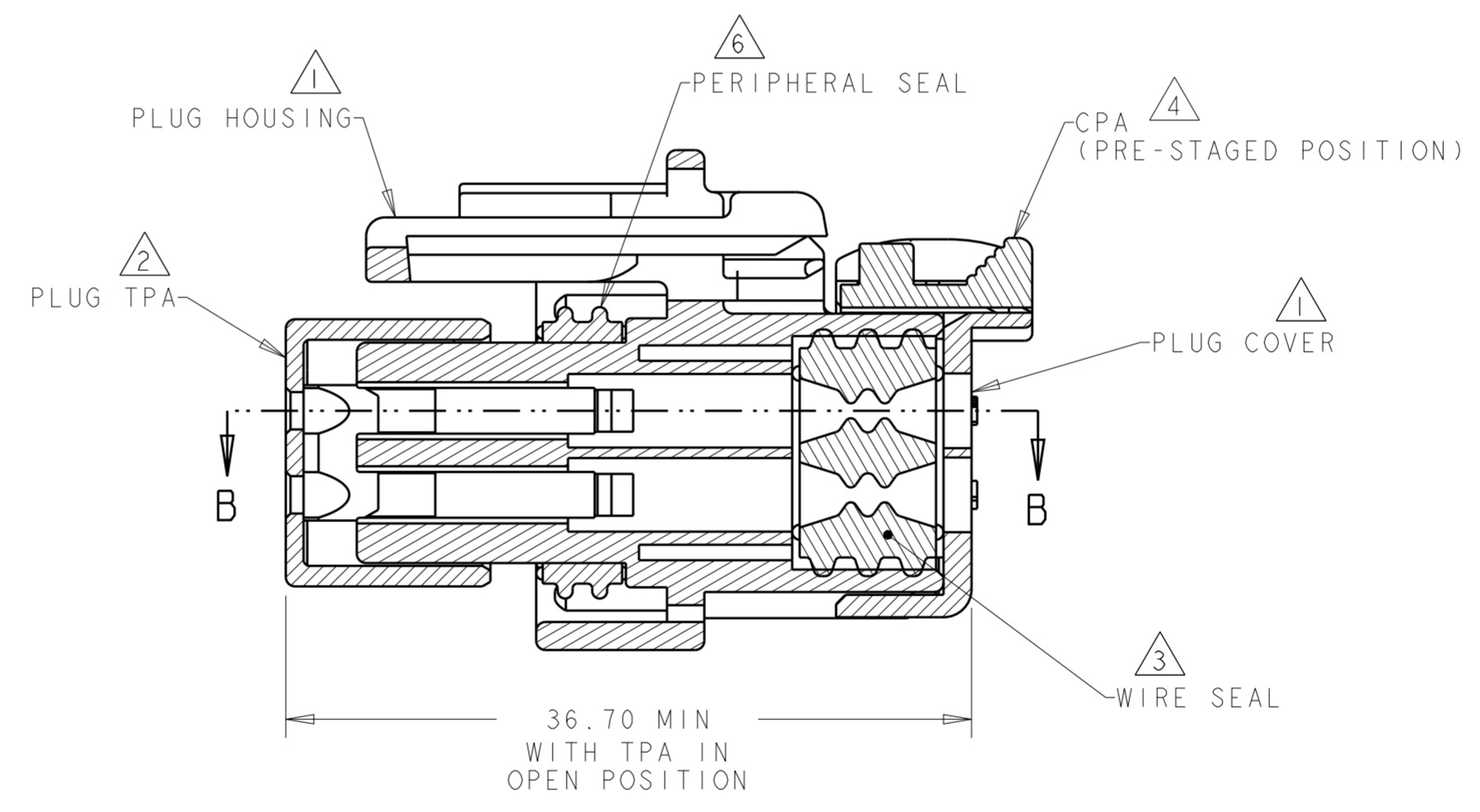


SECTION B-B

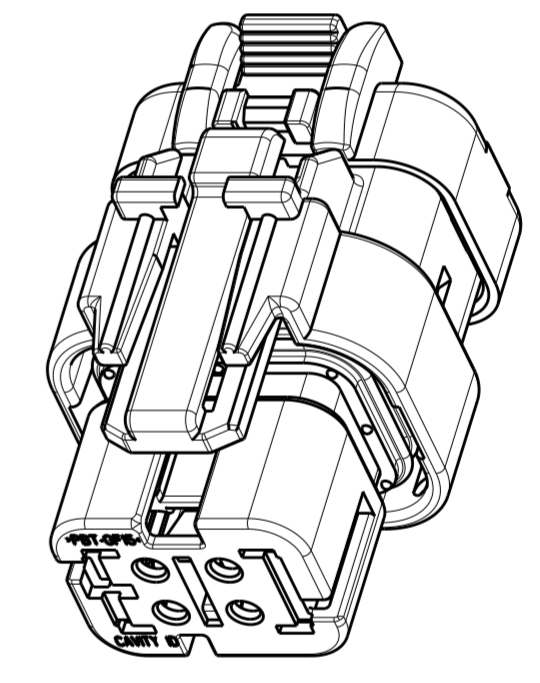
- 1 MATERIAL: 15% GLASS FILLED THERMOPLASTIC
COLOR: BLACK
- 2 MATERIAL: 15% GLASS FILLED THERMOPLASTIC
COLOR: (SEE TABLE)
- 3 MATERIAL: SILICONE
COLOR: RUST
- 4 MATERIAL: 15% GLASS FILLED THERMOPLASTIC
COLOR: RED
- 5. RECOMMENDED WIRE DIAMETER RANGE IS 1.30 TO 2.54mm
- 6 MATERIAL: SILICONE
COLOR: TAN



776524-1 SHOWN



SECTION A-A



SCALE 2:1

GREEN	776524-4
YELLOW	776524-3
GRAY	776524-2
RED	776524-1
TPA COLOR	PART NUMBER

THIS DRAWING IS A CONTROLLED DOCUMENT.

DIMENSIONS:	TOLERANCES UNLESS OTHERWISE SPECIFIED:	DWN	04SEP2003
mm	0 PLC ±	W. HOELSCHER	04SEP2003
	1 PLC ±	CHK	04SEP2003
	2 PLC ±	J. PATTERSON	04SEP2003
	3 PLC ±	APVD	04SEP2003
	4 PLC ±	D. KLEIN	
	ANGLES ±	PRODUCT SPEC	108-2184
	FINISH -	APPLICATION SPEC	114-13065
MATERIAL	-	WEIGHT	12.5±1g
-	-	Customer Drawing	

STE TE Connectivity

NAME: PLUG ASSEMBLY, 4 POSITION, 2 ROW, AMPSEAL 16 CONNECTOR REDUCED DIA WIRE SEAL

SIZE: A2 CAGE CODE: 0779 DRAWING NO: C-776524 RESTRICTED TO: -

SCALE: 3:1 SHEET: 1 OF 1 REV: D

Mouser Electronics

Authorized Distributor

Click to View Pricing, Inventory, Delivery & Lifecycle Information:

[TE Connectivity:](#)

[776524-2](#)