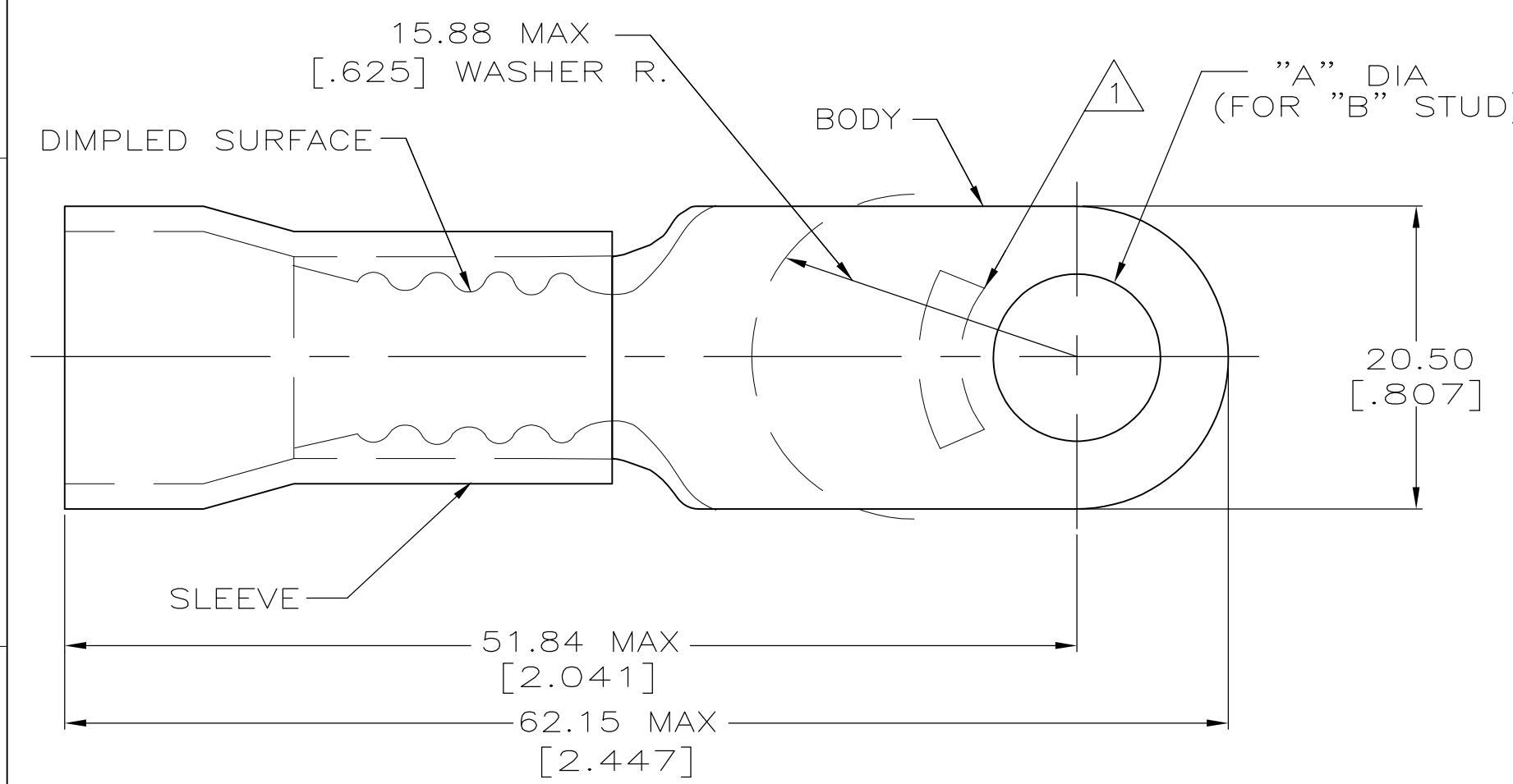


THIS DRAWING IS UNPUBLISHED. RELEASED FOR PUBLICATION
 © COPYRIGHT BY TYCO ELECTRONICS CORPORATION. ALL INTERNATIONAL RIGHTS RESERVED.

LOC	DIST	REVISIONS					
		P	LTR	DESCRIPTION	DATE	DWN	APVD
G	14		H1	REVISED PER ECO-11-002228	11FEB11	HMR	DR



AMP WIRE RANGE	RU FILE E13288	SA LR7189 Certified
1/0 AWG STRANDED	1/0 AWG STRANDED	1/0 AWG STRANDED

- 1 STAMP AMP 1/0 W* LOCATE APPROX AS SHOWN
- 2 TONGUE MATERIAL THK 1.78±0.08 [.070±.003]
- 3 SEE TABLE FOR WIRE INSULATION DIA MAX
- 4 PRELIMINARY - NOT FOR PRODUCTION

16.89 [.665]	3/8	9.91±0.13 [.390±.005]	50	LOOSE PC	52045-5
17.37 [.684]	5/16	8.33±0.13 [.328±.005]			52045-2
	1/4	6.73±0.13 [.265±.005]			52045-1
WIRE INSULATION DIA MAX	"B"	"A"	QTY	PACKAGE TYPE	4 52045

AMP INCORPORATED CUSTOMER SERVICE SYSTEMS		MAX RECOMMENDED OPERATING TEMPERATURE: 105° C
FOR ADDITIONAL PRODUCT INFORMATION OR COPIES OF DRAWINGS AND TECHNICAL DOCUMENTS	PRODUCT INFORMATION CENTER 1-800-522-6752	VOLTAGE RATING: 600 V MAX
FOR APPLICATION TOOLING INFORMATION	TOOLING ASSISTANCE CENTER 1-800-722-1111	CIRCULAR MIL AREA: 42.41-60.55mm ² [83,700-119,500] STRANDED
FOR ORDER ENTRY	1-800-526-5142	THIS DRAWING IS A CONTROLLED DOCUMENT FOR AMP INCORPORATED. IT IS SUBJECT TO CHANGE AND THE CONTROLLING ENGINEERING ORGANIZATION SHOULD BE CONTACTED FOR THE LATEST REVISION.

THIS DRAWING IS A CONTROLLED DOCUMENT.	
DIMENSIONS: mm [INCHES]	TOLERANCES UNLESS OTHERWISE SPECIFIED:
	0 PLC ± - 1 PLC ± - 2 PLC ± 0.20[.008] 3 PLC ± - 4 PLC ± - ANGLES ± -
MATERIAL COPPER PER ASTM B-152 PVC, COLOR: BLUE	FINISH TIN PLATE PER ASTM-B545

DWN S.S. GOULDEN 9-28-93	Tyco Electronics Tyco Electronics Corporation Harrisburg, PA 17105-3608
CHK R. HERSEY 9-28-93	
APVD B. BARE 9-28-93	
PRODUCT SPEC NOT AVAILABLE	NAME TERMINAL, RING TONGUE, PLASTI-GRIP, WIRE SIZE: 1/0 AWG
APPLICATION SPEC 114-2161	SIZE A3
WEIGHT -	CAGE CODE 00779
CUSTOMER DRAWING	DRAWING NO G-52045
RESTRICTED TO -	SCALE 4:1
	SHEET 1 OF 1
	REV H1

Mouser Electronics

Authorized Distributor

Click to View Pricing, Inventory, Delivery & Lifecycle Information:

[TE Connectivity:](#)

[52045-1](#)