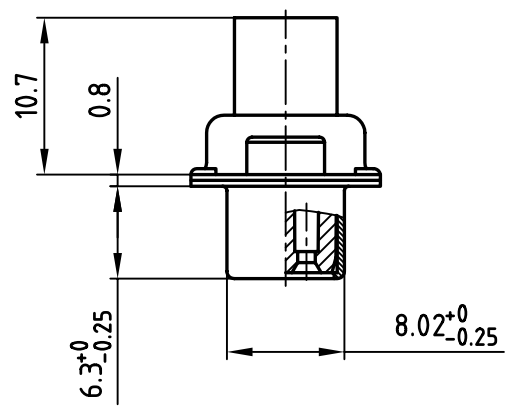
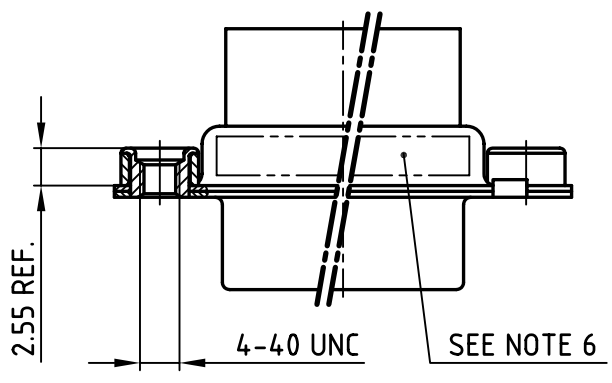
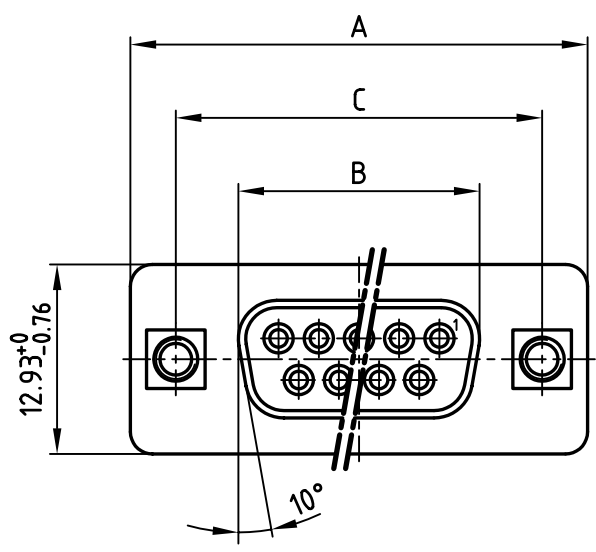


4 3 2 1
used for: D-SUB

POS.	A ^{-0.76}	B ^{-0.25}	C	Part-NO.
9	31.19	16.46	25.00 ^{+0.12} / _{-0.13}	DSS1XSXXG04X
15	39.52	24.79	33.30 ^{+0.15} / _{-0.1}	DSS2XSXXG04X
25	53.42	38.50	47.04 ±0.13	DSS3XSXXG04X
37	69.70	54.96	63.50 ±0.13	DSS4XSXXG04X



Directive 2002/95/EC
"RoHS"
Compliant

(b) NOTES:

1. METALSHELLS: STEEL; min. 315µin TIN over 40-80pin NICKEL
2. INSULATORS: PBT GF UL 94 V-0, BLACK
3. THREADED INSERT: COPPER ALLOY; min. 200µin TIN over 80pin NICKEL
4. COLLAR: COPPER ALLOY; min. 200µin TIN over 80µin NICKEL
5. MAXIMUM TORQUE VALUE FOR THREAD: 6 in.LB
6. CONNECTOR IS PART MARKED: PART-NO. CONEC ABC

APPROVAL # FREIGABE # DEBLOCAGE # AUTORIZACION # APPROVAL	
CUSTOMER APPROVAL DATE:	
NAME:	TITLE:
COMPANY NAME:	
APPROVAL # FREIGABE # DEBLOCAGE # AUTORIZACION # APPROVAL	

THIS DRAWING MAY NOT BE COPIED OR REPRODUCED IN ANY WAY, AND MAY NOT BE PASSED ON TO A THIRD PARTY WITHOUT WRITTEN PERMISSION. OWNERSHIP AND COPYRIGHT OF CONEC GmbH DO NOT ALTER CAD DRAWING BY HAND

tolerance			scale: 2:1	
dim. in mm			material: SEE NOTES	
2005	date	title:		
drawn	03.05	D-SUB FEMALE		
appd.	03.05.	9-37pos. CRIMP STYLE		
norm	DIN 41652			
d-old				
1 x b	Ä 2542	02.08.2006	Lehmen	dwg no: AutoCAD 2004
a	Origin			DIN-A 4
rev.	description	date	name	sh: 1/1



part no: SEE TABLE

4 3 2 1

Mouser Electronics

Authorized Distributor

Click to View Pricing, Inventory, Delivery & Lifecycle Information:

[CONEC:](#)

[DSS2XSXXG04X](#)