

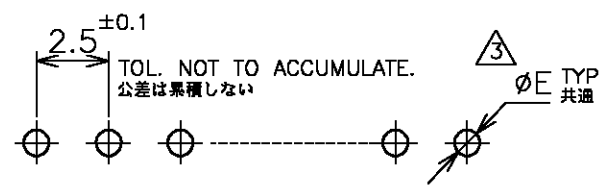
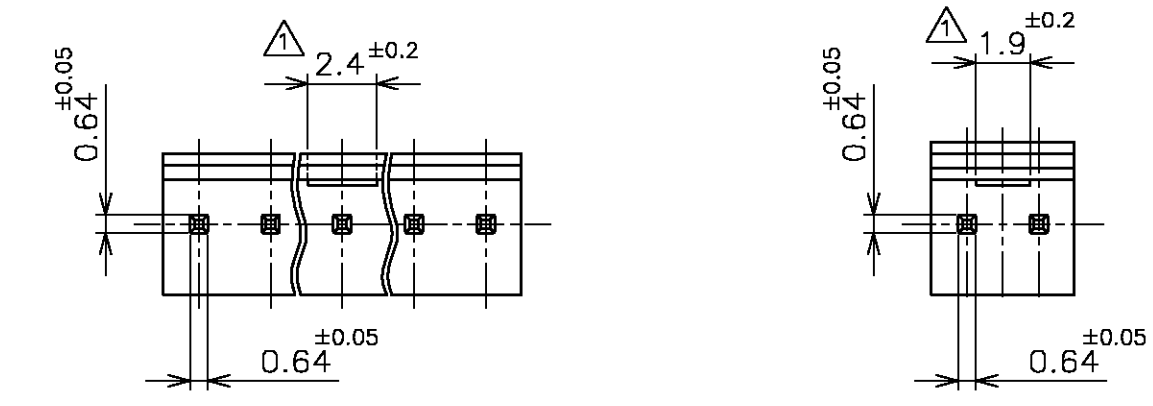
| LOC | DIST | REVISIONS | | | | | |
|-----|------|-----------|-----|----------------------|---------|-----|------|
| J | - | P | LTR | DESCRIPTION | DATE | DWN | APVD |
| | | E | | REVISED FJB0-0393-03 | 07MAY03 | H.T | I.E |

△ ロッキング凹部位置は長手方向の中央。
 △ 塩ビケース詰製品(自動機対応)は図番172800参照のこと。
 △ プリント基板穴径は下記参照してください。

△ LOCKING HOLE IS PLACED ON THE CENTER OF POST HEADER.
 △ REFERENCE TO P/N 172800 ABOUT TUBE PACKING ITEM FOR AUTO MOUNTING MACHINE.
 △ RECOMMENDED HOLE DIA DIMENSION ON PWB

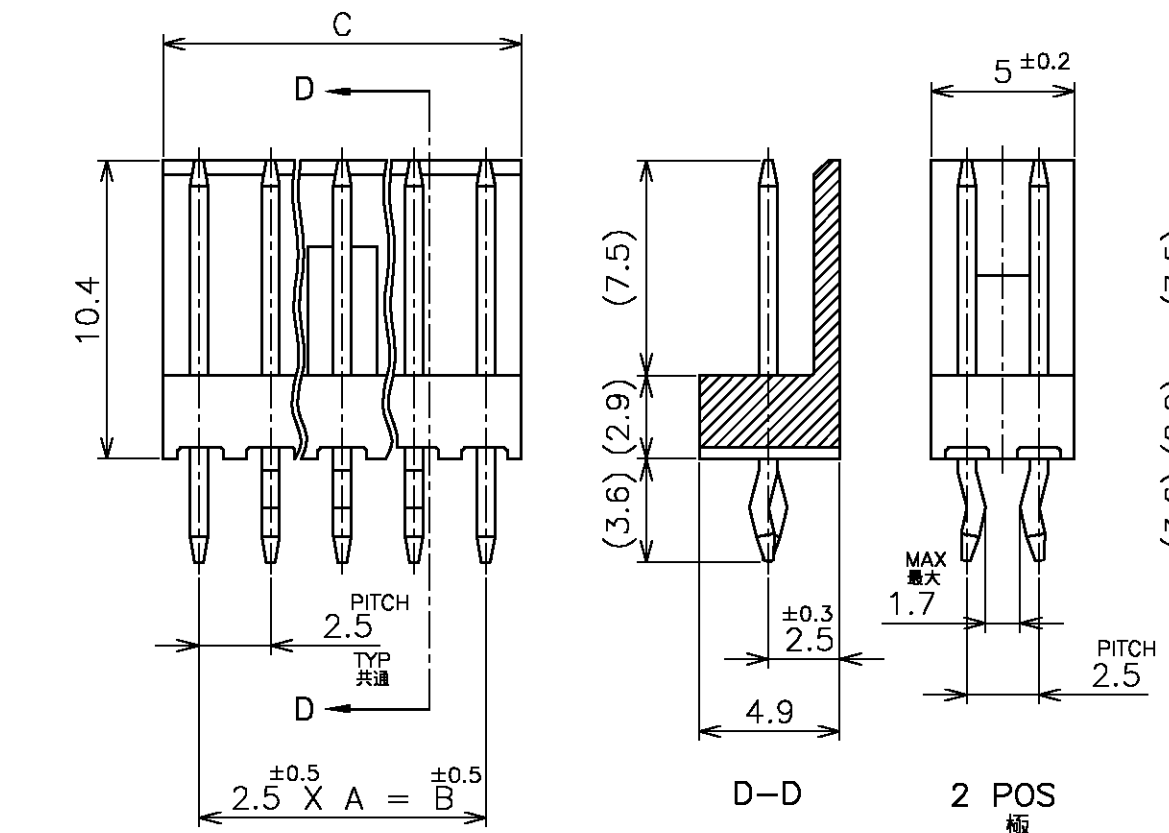
| 加工 | パンチ加工穴 | ドリル加工穴 |
|----|----------|-----------|
| 穴径 | 0.9 ±0.1 | 1.1 ±0.05 |

| HOLE DIA | POUNCHED HOLE | DRILL HOLE |
|----------|---------------|------------|
| φE | 0.9 ±0.1 | 1.1 ±0.05 |

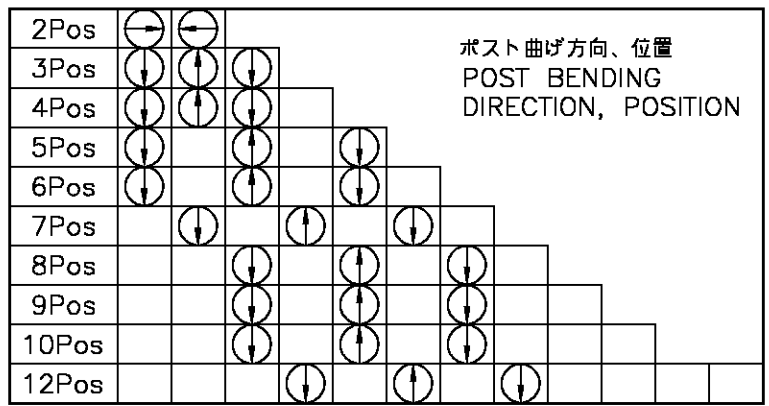


RECOMMENDED BOARD LAYOUT (1.6 THK)
 取付基板寸法(基板厚1.6t)

| COLOR | ±0.2 C | | ±0.5 B | | A | NO OF POS 極数 | TUBE PACKING P/N 塩ビケース詰 型番△ | PART NUMBER 型番 |
|-------|------------|-------------|----------------|------------|---|-----------------|--------------------------------|-------------------|
| | BULE 青色 | BLACK 黒色 | NATURAL 自然色 | BULE 青色 | | | | |
| | 30.0 | 27.5 | 11 | 12 | | 5-172800-2 | 5-172732-2 | |
| | 25.0 | 22.5 | 9 | 10 | | 5- ↑ -0 | 5- ↑ -0 | |
| | 22.5 | 20.0 | 8 | 9 | | 4- -9 | 4- -9 | |
| | 20.0 | 17.5 | 7 | 8 | | 4- -8 | 4- -8 | |
| | 17.5 | 15.0 | 6 | 7 | | 4- -7 | 4- -7 | |
| | 15.0 | 12.5 | 5 | 6 | | 4- -6 | 4- -6 | |
| | 12.5 | 10.0 | 4 | 5 | | 4- -5 | 4- -5 | |
| | 10.0 | 7.5 | 3 | 4 | | 4- -4 | 4- -4 | |
| | 7.5 | 5.0 | 2 | 3 | | 4- -3 | 4- -3 | |
| | 5.0 | 2.5 | --- | 2 | | 4-172800-2 | 4-172732-2 | |
| | 30.0 | 27.5 | 11 | 12 | | 3-172800-2 | 3-172732-2 | |
| | 25.0 | 22.5 | 9 | 10 | | 3- ↑ -0 | 3- ↑ -0 | |
| | 22.5 | 20.0 | 8 | 9 | | 2- -9 | 2- -9 | |
| | 20.0 | 17.5 | 7 | 8 | | 2- -8 | 2- -8 | |
| | 17.5 | 15.0 | 6 | 7 | | 2- -7 | 2- -7 | |
| | 15.0 | 12.5 | 5 | 6 | | 2- -6 | 2- -6 | |
| | 12.5 | 10.0 | 4 | 5 | | 2- -5 | 2- -5 | |
| | 10.0 | 7.5 | 3 | 4 | | 2- -4 | 2- -4 | |
| | 7.5 | 5.0 | 2 | 3 | | 2- -3 | 2- -3 | |
| | 5.0 | 2.5 | --- | 2 | | 2-172800-2 | 2-172732-2 | |
| | 30.0 | 27.5 | 11 | 12 | | 1-172800-2 | 1-172732-2 | |
| | 25.0 | 22.5 | 9 | 10 | | 1- ↑ -0 | 1- ↑ -0 | |
| | 22.5 | 20.0 | 8 | 9 | | -9 | -9 | |
| | 20.0 | 17.5 | 7 | 8 | | -8 | -8 | |
| | 17.5 | 15.0 | 6 | 7 | | -7 | -7 | |
| | 15.0 | 12.5 | 5 | 6 | | -6 | -6 | |
| | 12.5 | 10.0 | 4 | 5 | | -5 | -5 | |
| | 10.0 | 7.5 | 3 | 4 | | -4 | -4 | |
| | 7.5 | 5.0 | 2 | 3 | | -3 | -3 | |
| | 5.0 | 2.5 | --- | 2 | | 172800-2 | 172732-2 | |



3~12 POS
極



THIS DRAWING IS A CONTROLLED DOCUMENT.

DWN: 06MAR84, A. IMAI
 CHK: 06MAR84, N. ONOUE
 APVD: 06MAR84, N. ONOUE

PRODUCT SPEC: 製品規格
 APPLICATION SPEC: 取付適用規格

MATERIAL: HSG: 66NYLON UL94V-0, POST: BRASS
 FINISH: 仕上, POST: TIN-PLATE

tyco Electronics
 Tyco Electronics AMP K.K.
 Kawasaki, Japan

NAME: 名称
 POST HEADER ASSY (VERTICAL) WITH KINK
 AMP EI SERIES CONNECTOR

SIZE: A3, CAGE CODE: 00779, DRAWING NO: 172732, RESTRICTED TO: -

SCALE: 4:1, SHEET: 1 OF 1, REV: E

Mouser Electronics

Authorized Distributor

Click to View Pricing, Inventory, Delivery & Lifecycle Information:

[TE Connectivity:](#)

[1-172732-0](#)