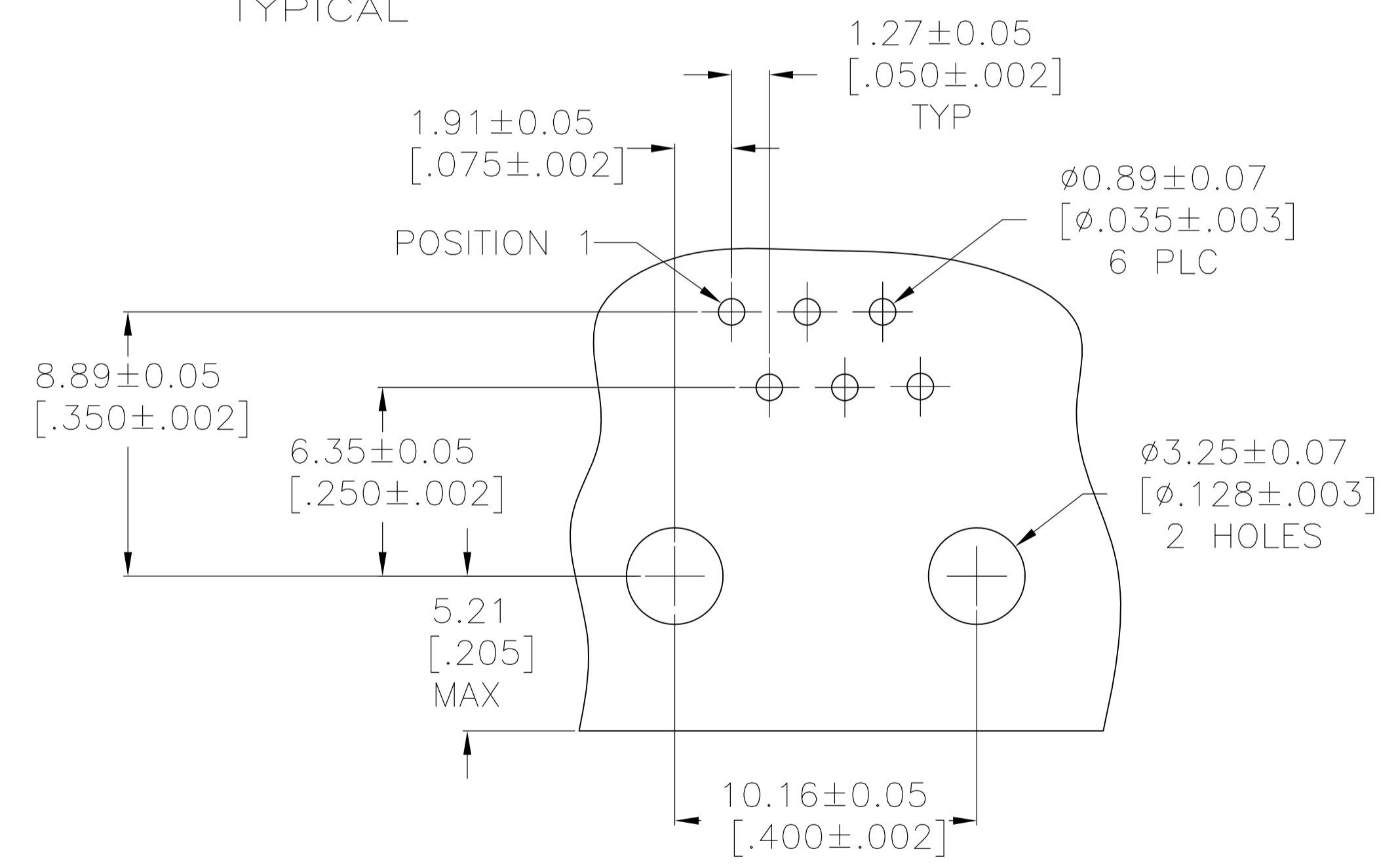
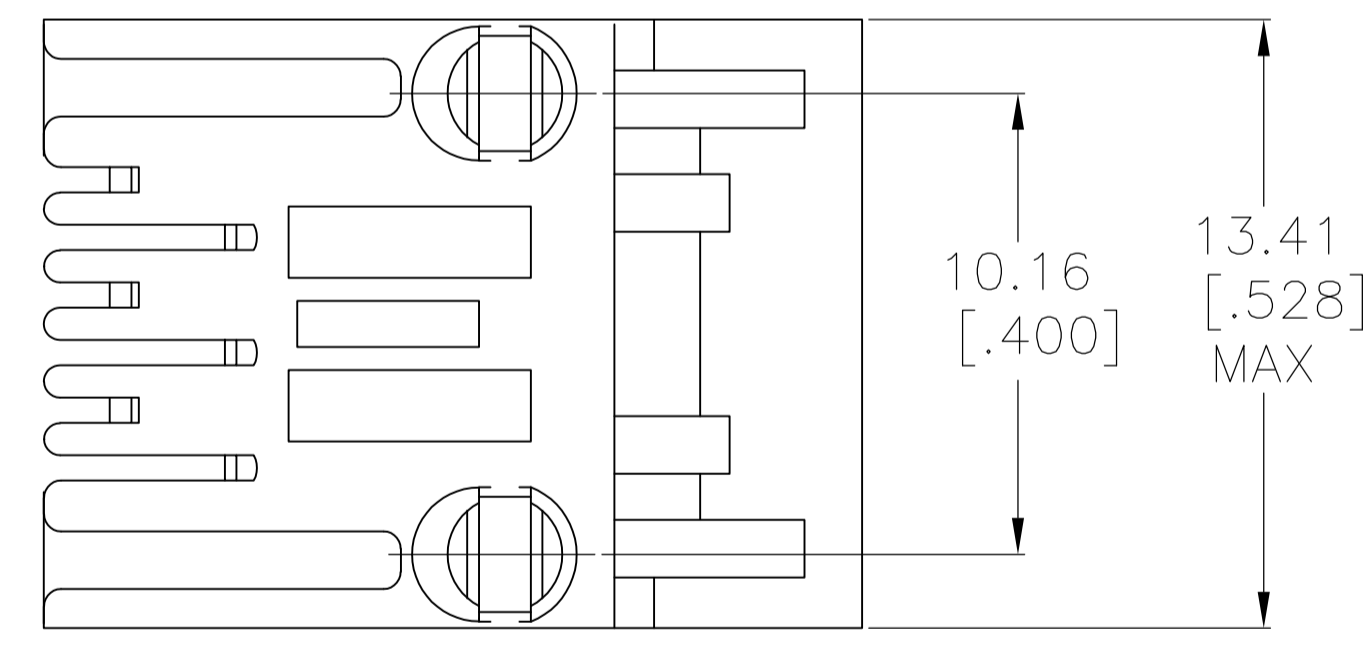
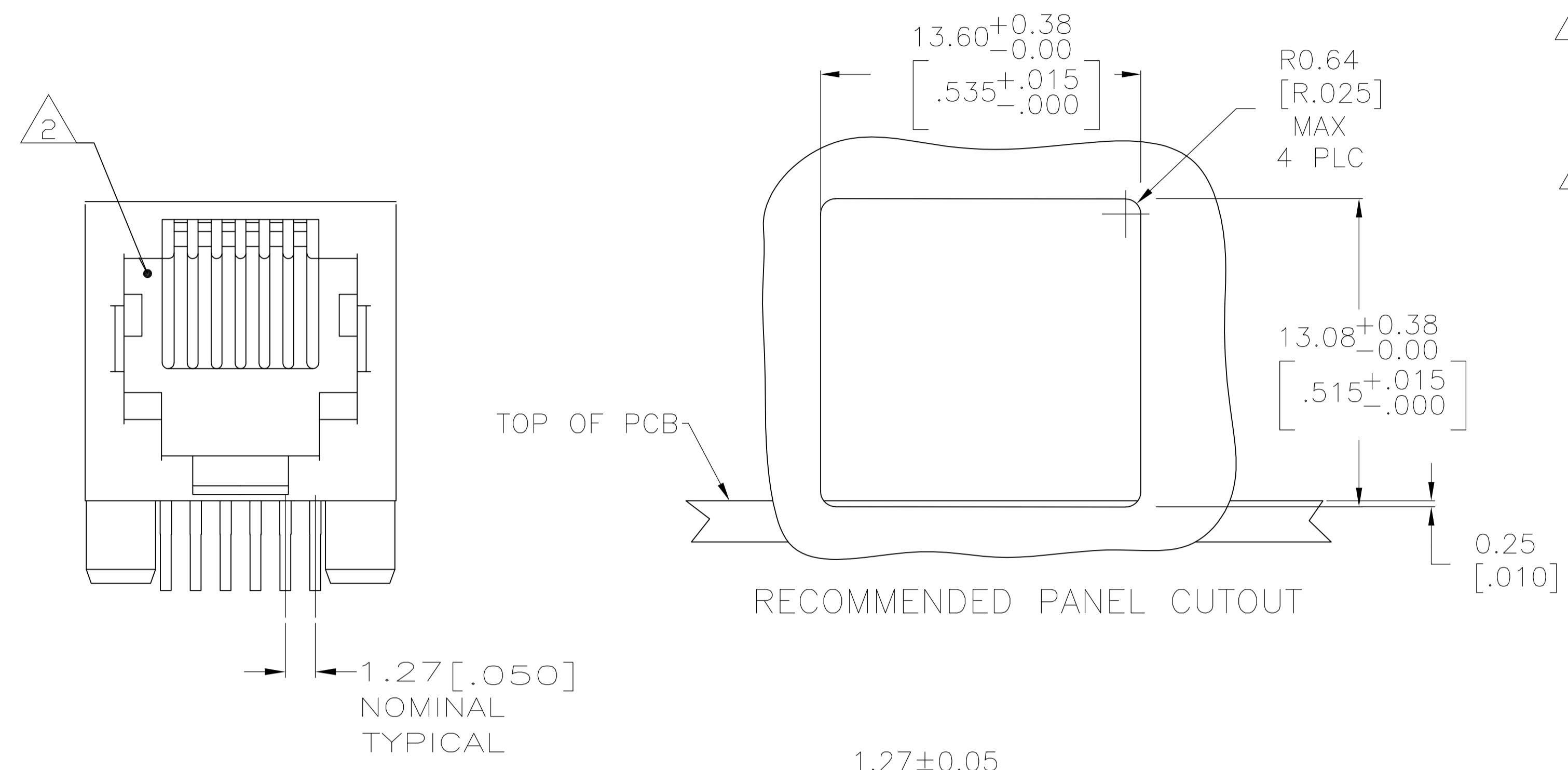
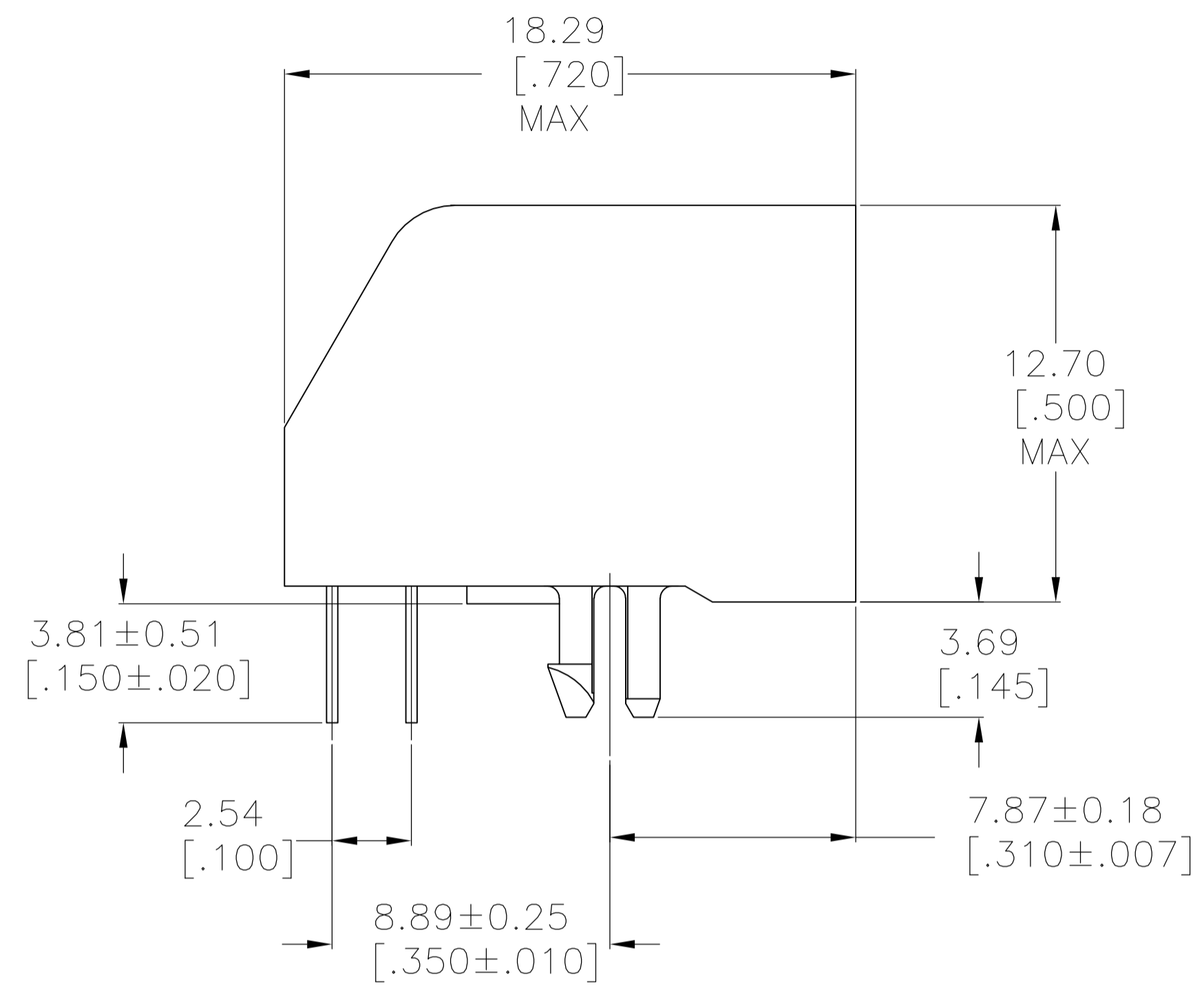


LOC		DIST		REVISIONS			
GP	00	REV	DATE	BY	CHK	APPV	
E2	REVISED PER ECO-12-014371		15NOV2012	CJV	PAR		

- MATERIAL: HOUSING - PBT POLYESTER, COLOR: BLACK
TERMINAL - 0.35[.0138] THICK PHOS BRONZE
PLATED WITH 1.27 μ m[.000050] THICK
HARD GOLD IN LOCALIZED GOLD PLATE AREA AND
2.03 μ m[.000080] THICK MATTE TIN IN SOLDER
AREA OVER 1.27 μ m[.000050] THICK NICKEL
UNDERPLATE.
- CAVITY CONFORMS TO FCC RULES AND REGULATIONS
PART 68, SUBPART F.
- BULK PACKAGED IN A TRAY.
- TERMINALS FOR 5555165-2 AND -5 LOCATED IN
CENTER POSITIONS.



RECOMMENDED PRINTED CIRCUIT BOARD LAYOUT
COMPONENT SIDE SHOWN

OBsolete	DEC GREY	4	4	5555165-8
	BLACK	2	6	5555165-5
	BLACK	4	4	5555165-2
	BLACK	6	4	5555165-1
	COLOR		TERMINALS REQUIRED	PART NUMBER

THIS DRAWING IS A CONTROLLED DOCUMENT. DIMENSIONING AND TOLERANCING PER ASME Y14.5M-2009.

DIMENSIONS: mm [INCHES]	TOLERANCES UNLESS OTHERWISE SPECIFIED: 0 PLC ± - 1 PLC ± - 2 PLC ± 0.13[.005] 3 PLC ± - 4 PLC ± - ANGLES ± -	APPROVED: S. FLICKINGER 08JUNE2005	NAME: MODULAR JACK ASSEMBLY, 6 POSITION, LOW PROFILE, RIGHT ANGLE, WITHOUT PANEL STOPS
MATERIAL: SEE NOTE 1	FINISH: SEE NOTE 1	WEIGHT: -	SIZE: A1 SCALE: 6:1 SHEET: 1 OF 1 REV: E2

STE TE Connectivity

00779 5555165

Mouser Electronics

Authorized Distributor

Click to View Pricing, Inventory, Delivery & Lifecycle Information:

[TE Connectivity:](#)

[5555165-5](#)