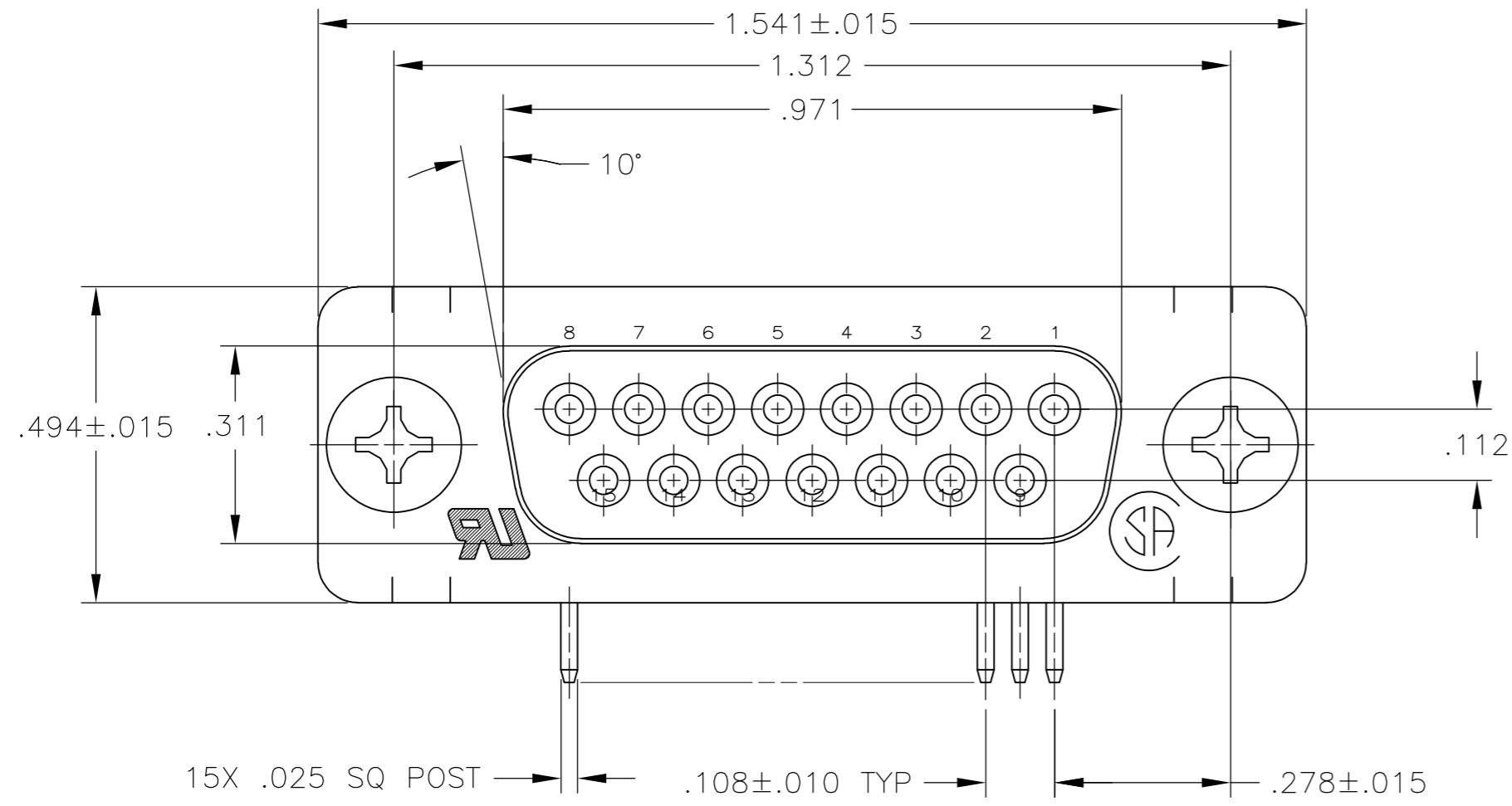
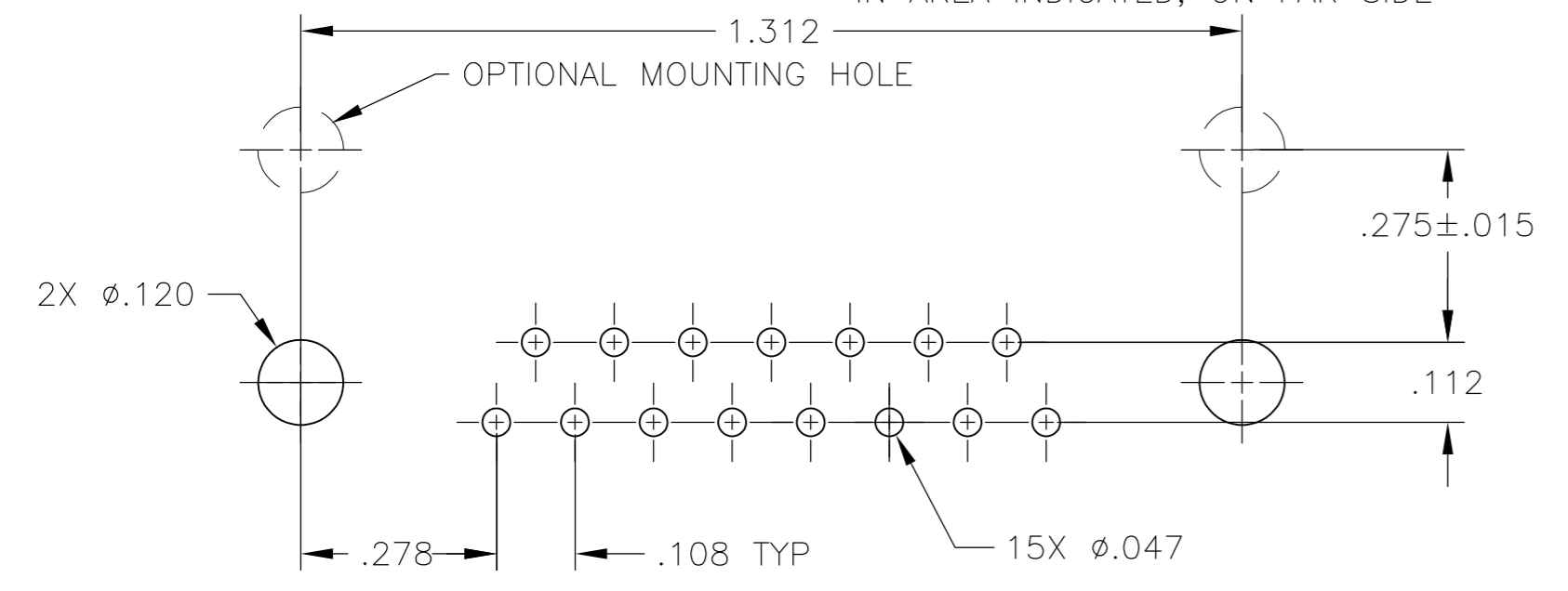
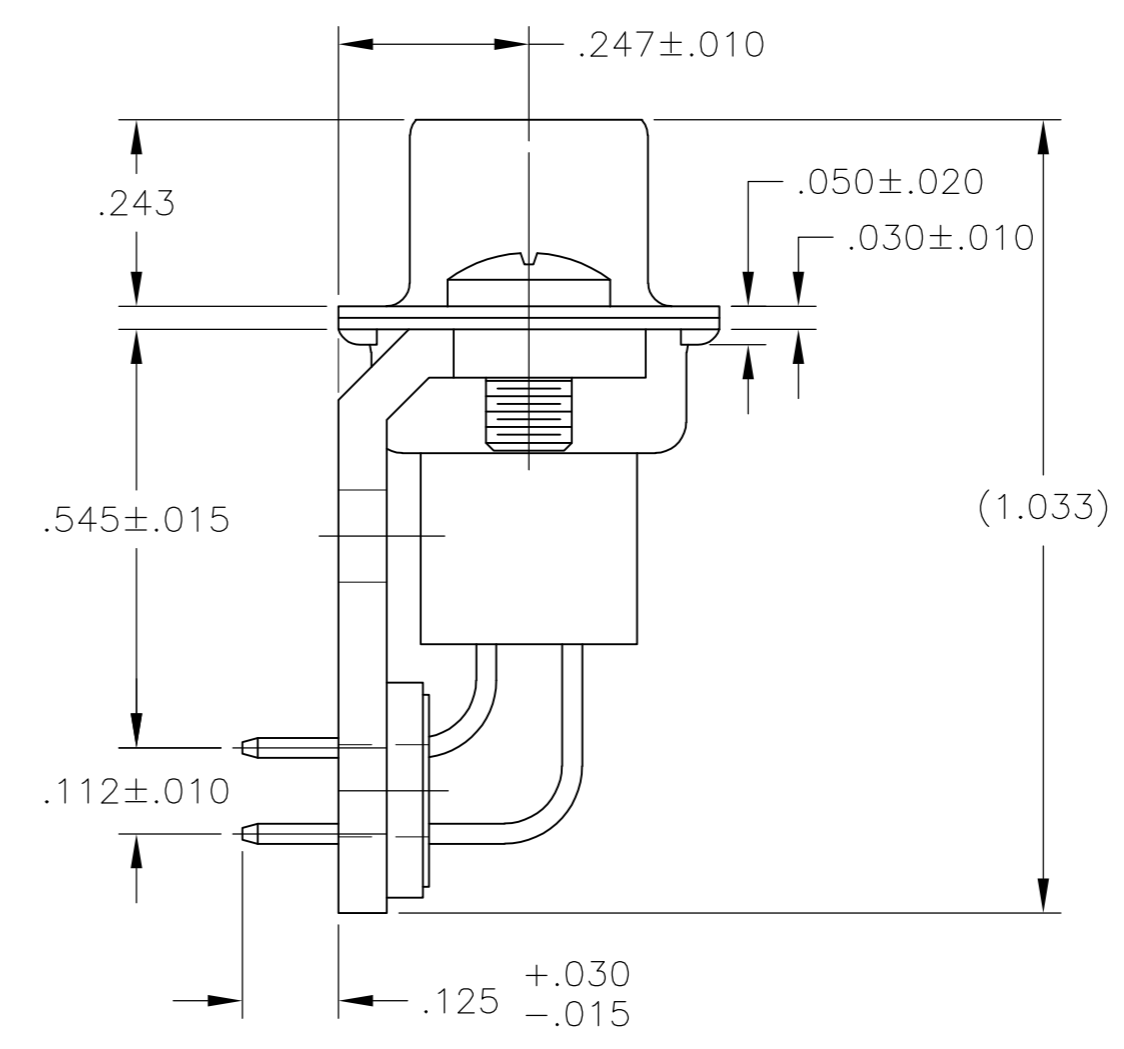
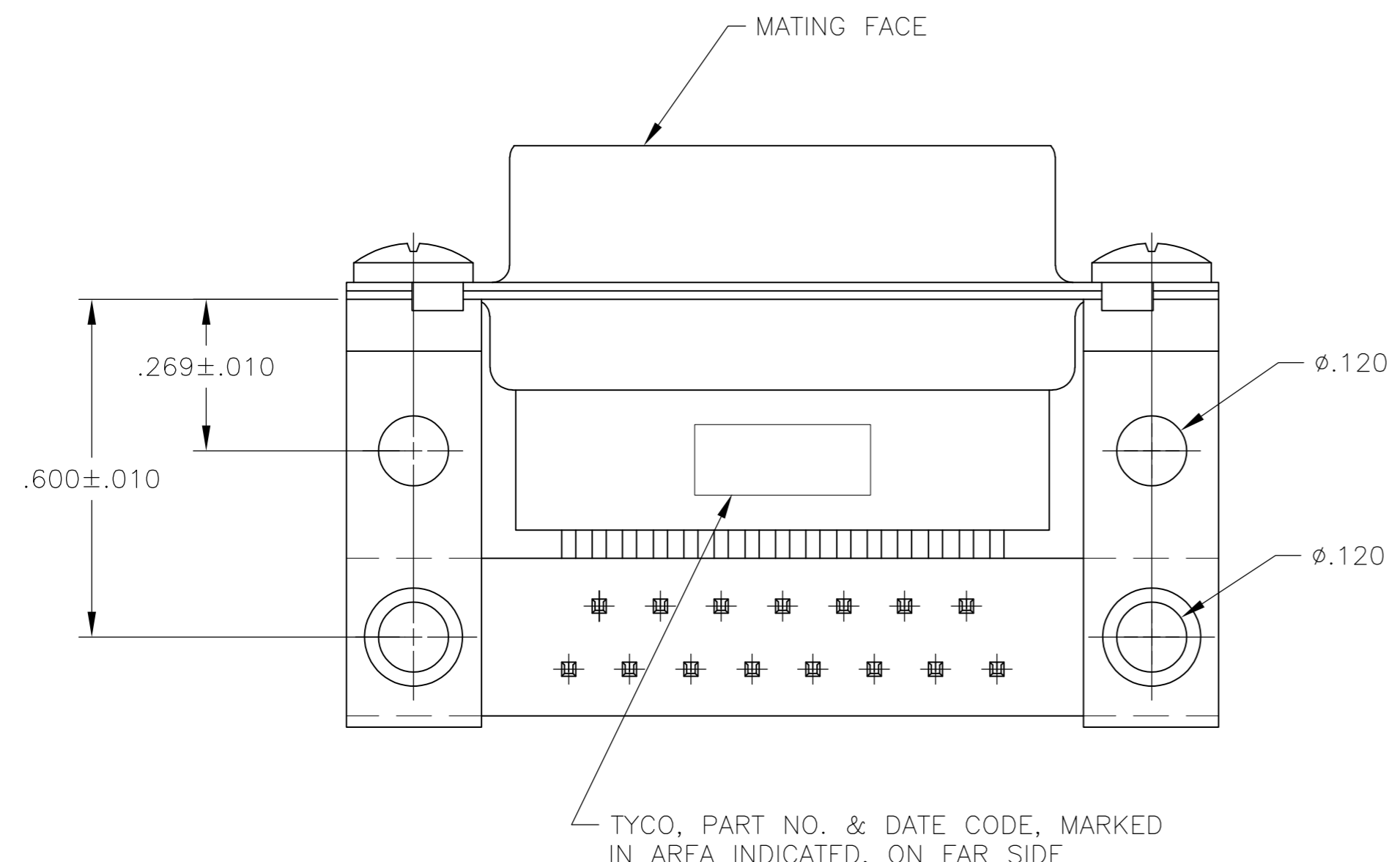


THIS DRAWING IS UNPUBLISHED. RELEASED FOR PUBLICATION
 © COPYRIGHT 2005 By - ALL RIGHTS RESERVED.

LOC		DIST		REVISIONS					
P	LTR	DESCRIPTION	DATE	DWN	APVD				
GP	00			A		REVISED PER ECO-14-011808	11AUG2014	AP	SB



- 1 MOLDDED PARTS: GLASS-FILLED PBT OR GLASS-FILLED NYLON, UL94V-0 RATED. COLOR: BLACK.
SHELLS & BRACKETS: CARBON STEEL
CONTACTS: PHOS BRONZE
- 2 SHELLS & BRACKETS: ZINC PLATED YELLOW CHROMATE COATING.
CONTACTS: GOLD FLASH FOR A LENGTH OF .100 MINIMUM FROM MATING END, .000100 MINIMUM TIN ON OPPOSITE END, BOTH OVER .000050 MINIMUM NICKEL.



P.C. BOARD MOUNTING DIMENSIONS

5205868-1
PART NUMBER

THIS DRAWING IS A CONTROLLED DOCUMENT.		DWN	G.PETERS	17OCT05		TE Connectivity		
DIMENSIONS: INCHES		CHK	S.BOLASH	17OCT05		RECEPTACLE ASSEMBLY, SIZE 2, 15 POS., RIGHT ANGLE, .545 SERIES, .025 SQ. POST, AMPLIMITE HDP		
TOLERANCES UNLESS OTHERWISE SPECIFIED:		APVD	M.WALMSLEY	17OCT05		SIZE	CAGE CODE	DRAWING NO
0 PLC ± -		PRODUCT SPEC	108-40025	114-40013		A2	00779	C=5205868
1 PLC ± -		APPLICATION SPEC	114-40013	WEIGHT	-	SCALE	4:1	
2 PLC ± -		MATERIAL	1	CUSTOMER DRAWING	SHEET		1 of 1	
3 PLC ± ±.005		FINISH	2	REV		A		
4 PLC ± -								
ANGLES ± ±2°								

Mouser Electronics

Authorized Distributor

Click to View Pricing, Inventory, Delivery & Lifecycle Information:

[TE Connectivity:](#)

[5205868-1](#)