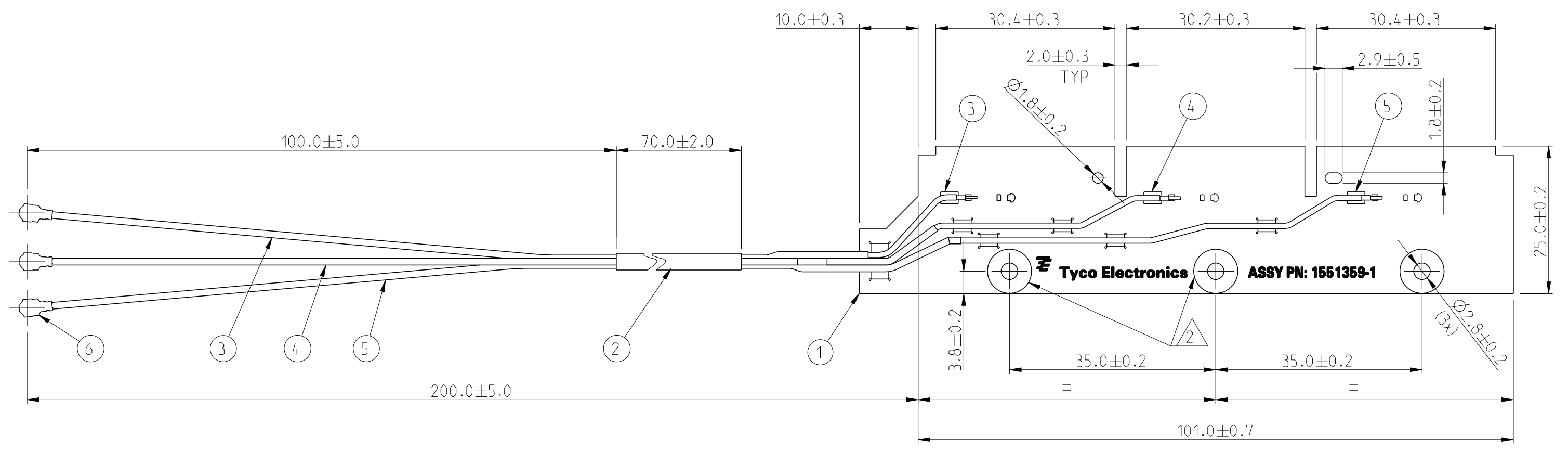


THIS DRAWING IS UNPUBLISHED. RELEASED FOR PUBLICATION 2009  
 © COPYRIGHT 2009 BY TYCO ELECTRONICS CORPORATION. ALL RIGHTS RESERVED.

LOC	DIST	REVISIONS				
P	LTR	DESCRIPTION	DATE	DWN	APVD	
H	-	A1	Dimension changed from 10.5 to 10.0mm	21MAY2010	SM	RL



PN 1551359-1 AS SHOWN

NOTES:

1. PCB MATERIAL: GETEK

△ CABLE NOT ALLOWED TO BE INSIDE THE CIRCULAR AREA

ITEM NO	DESCRIPTION	QTY
6	I-PEX CONNECTOR	3
5	Ø1.13mm GREY CABLE	1
4	Ø1.13mm WHITE CABLE	1
3	Ø1.13mm BLACK CABLE	1
2	H.S.TUBE TYPE 3.0 ECUMENIC BLACK	1
1	PCB	1

<small>THIS DRAWING IS A CONTROLLED DOCUMENT FOR TYCO ELECTRONICS CORPORATION IT IS SUBJECT TO CHANGE AND THE CONTROLLING ENGINEERING ORGANIZATION SHOULD BE CONTACTED FOR THE LATEST REVISION.</small>		DWN SUBHASH.M 28-AUG-09 CHK R.LOKKER 28-AUG-09 APVD Y. BRAEMS - PRODUCT SPEC - APPLICATION SPEC - WEIGHT -	<b>Tyco Electronics</b> Tyco Electronics Corporation 's-Hertogenbosch, Nederland	
DIMENSIONS: mm 	TOLERANCES UNLESS OTHERWISE SPECIFIED: 0 PLC ±0.2 1 PLC ±0.1 2 PLC ±0.05 3 PLC ±0.025 4 PLC ±0.005 ANGLES ±2°	NAME 2x 3 MIMO ANTENNA ASSEMBLY (5GHz)		
MATERIAL -	FINISH -	SIZE A3	CAGE CODE 00779	DRAWING NO © 1551359
CUSTOMER DRAWING		SCALE NTS	SHEET 1 OF 1	REV A1

# Mouser Electronics

Authorized Distributor

Click to View Pricing, Inventory, Delivery & Lifecycle Information:

[TE Connectivity:](#)

[1551359-1](#)