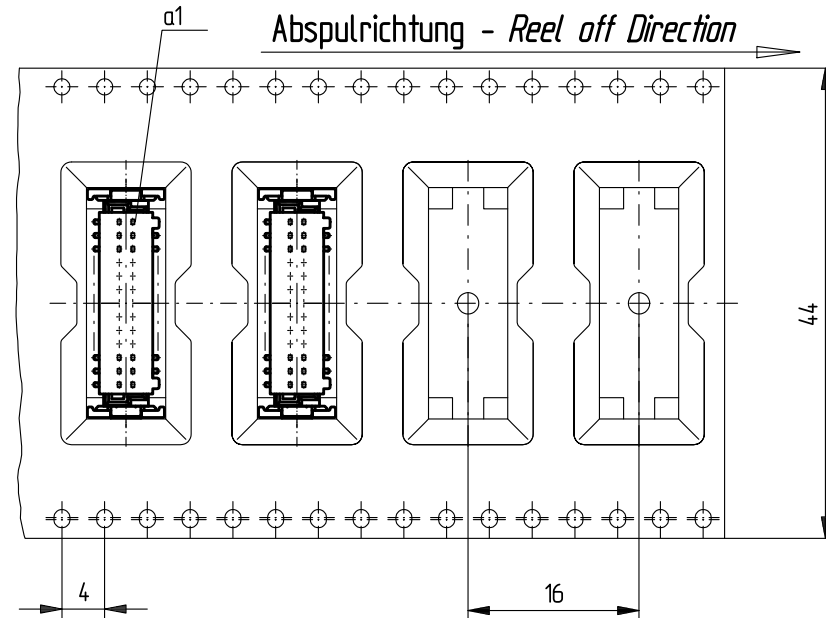
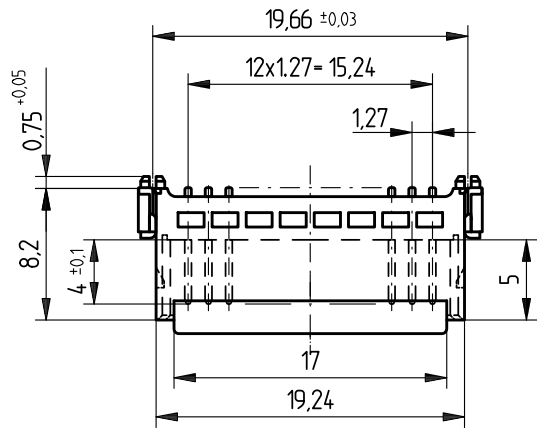
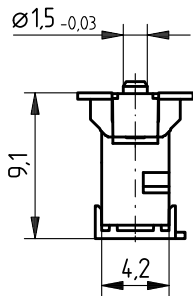
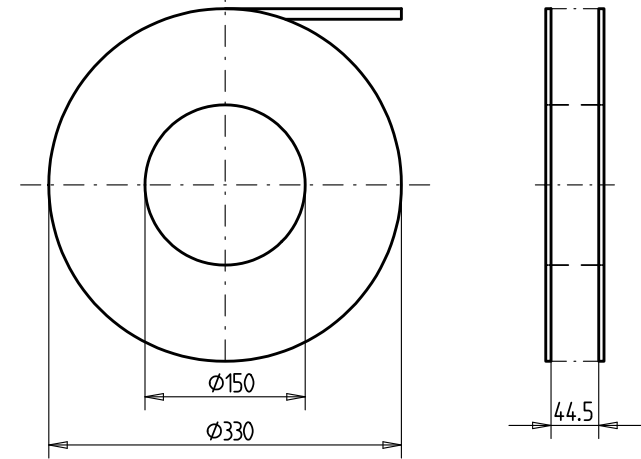


Verpackt in Gurtverpackung - Tape on Reel Packaging
 Verpackungseinheit: 280 Stück - Packaging unit: 280 pcs



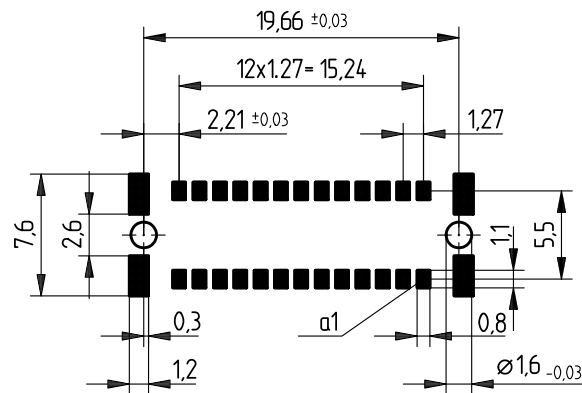
Anforderungsstufe 1
 Performance Level 1

Kontaktbereich vergoldet
 Mating Area gold plating

Anschlussbereich verzinkt 4-6 µm
 Terminal Area 4-6 µm tin plating

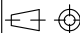

Koplanarität der Anschlüsse ≤ 0,1mm
 Coplanarity Area of Termination ≤ 0.1 mm

Leiterplatten-Layout Vorschlag für SMT
 PCB-Layout Proposal for SMT



Standard Bauhöhe

Standard Assembly Height

Information: All rights reserved. Only for information. To insure that this is the latest version of this drawing, please contact one of the ERNI companies before using.	Tolerances  All Dimensions in mm	Scale 3:1	Angaben zu entsprechender Ident-Nr. siehe Fertigungsunterlagen For further information about I.D.number see manufacturing document
	Subject to modification without prior notice. Drawing will not be updated.	Designation Messerleiste SMC-Q, 26 polig Male Conn. SMC-Q, 26 contacts	
 www.ERNI.com	063209		1
e Index	22.01.2008 Date	M:00064650.SZA	SMCQ

Consider protection memo from DIN 34

Mouser Electronics

Authorized Distributor

Click to View Pricing, Inventory, Delivery & Lifecycle Information:

[ERNI Electronics:](#)

[063209](#)