

REVISIONS				
P.	LTN.	DESCRIPTION	DATE	APVD.
C	REV PER ECO	18-010457	7-24-18	CT CJ

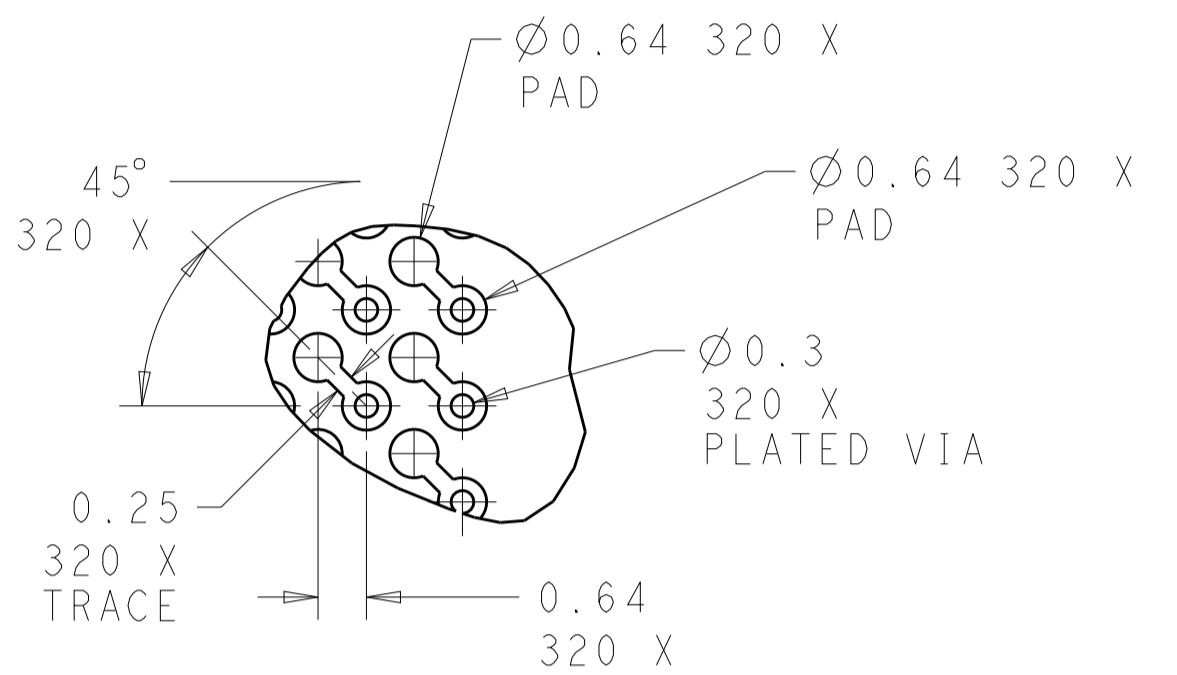
⚠ MATERIAL: HOUSINGS LCP, COLOR: NATURAL  
 CONTACT: PHOSPHOR BRONZE.  
 SOLDER BALL: SEE TABLE  
 FILM TAPE: KAPTON WITH SILICON ADHESIVE.

⚠ FINISH: CONTACTS: GOLD (SEE TABLE) ON MATING AREAS  
 NICKEL ON ENTIRE CONTACT.

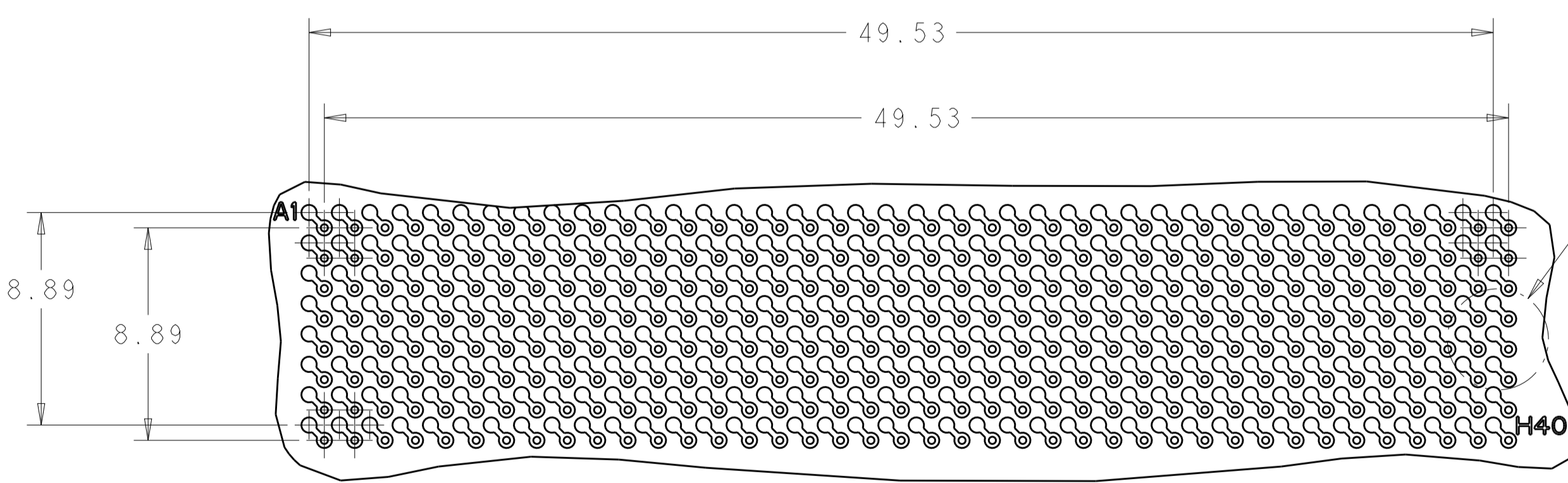
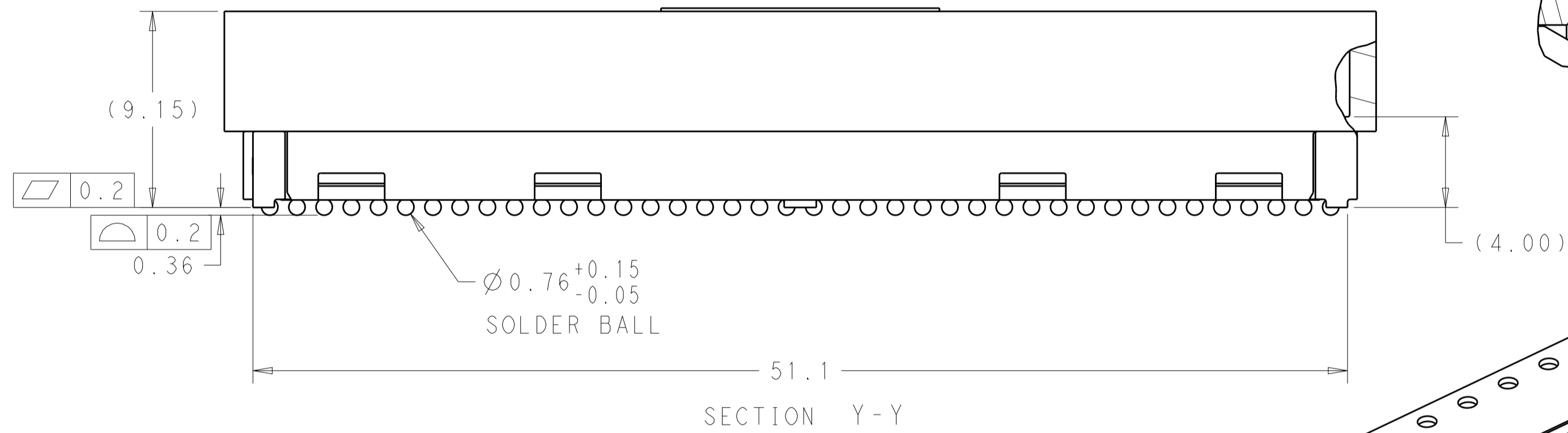
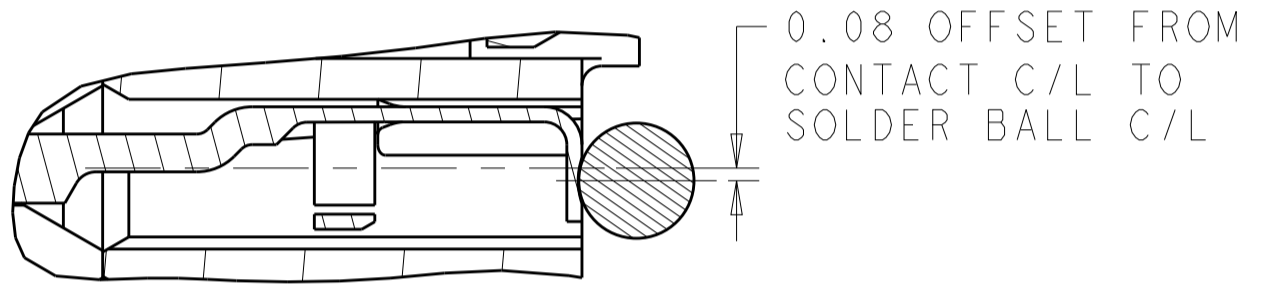
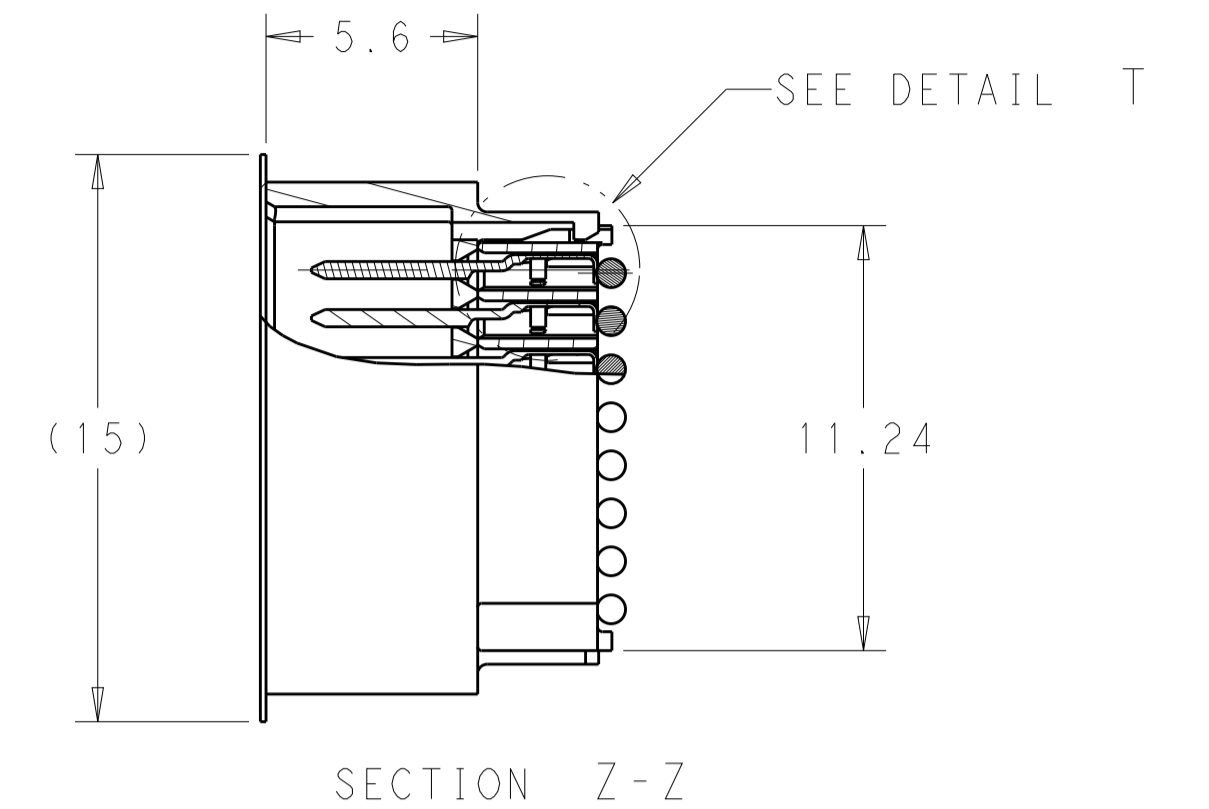
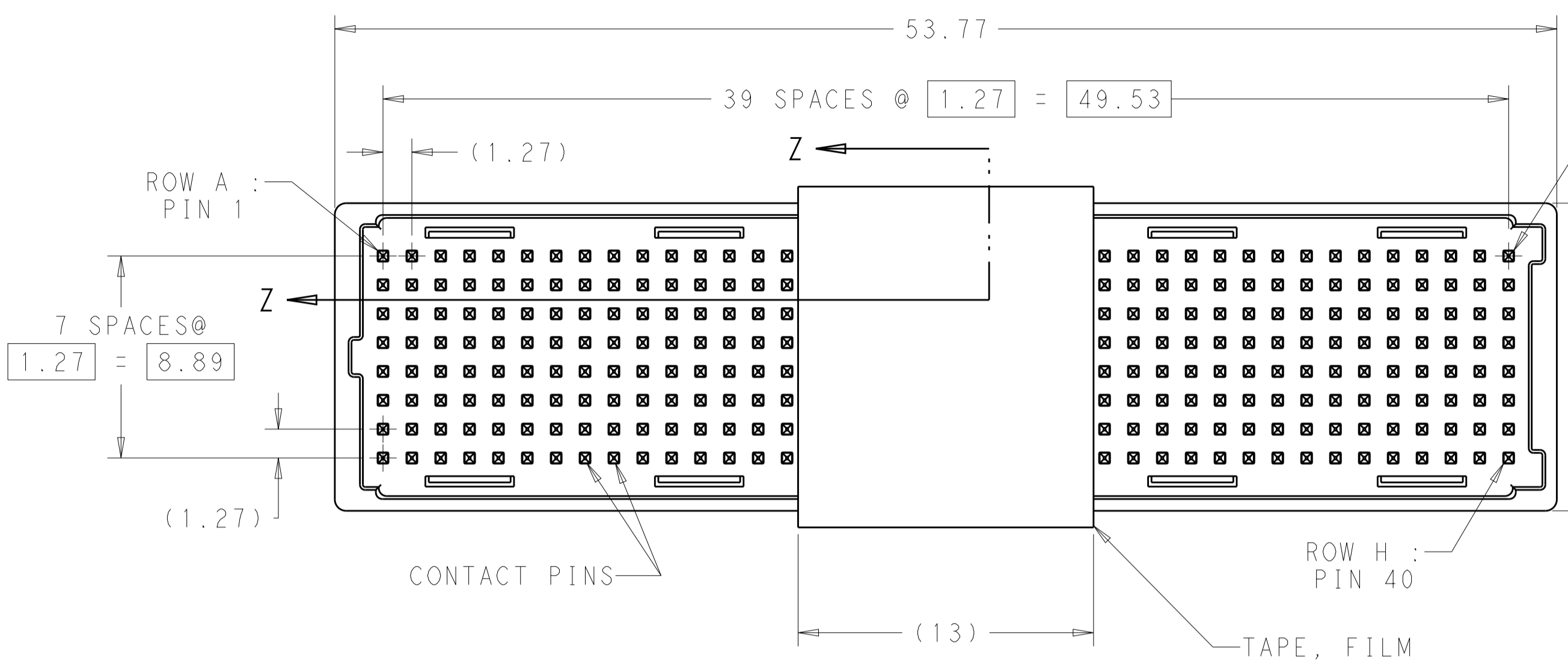
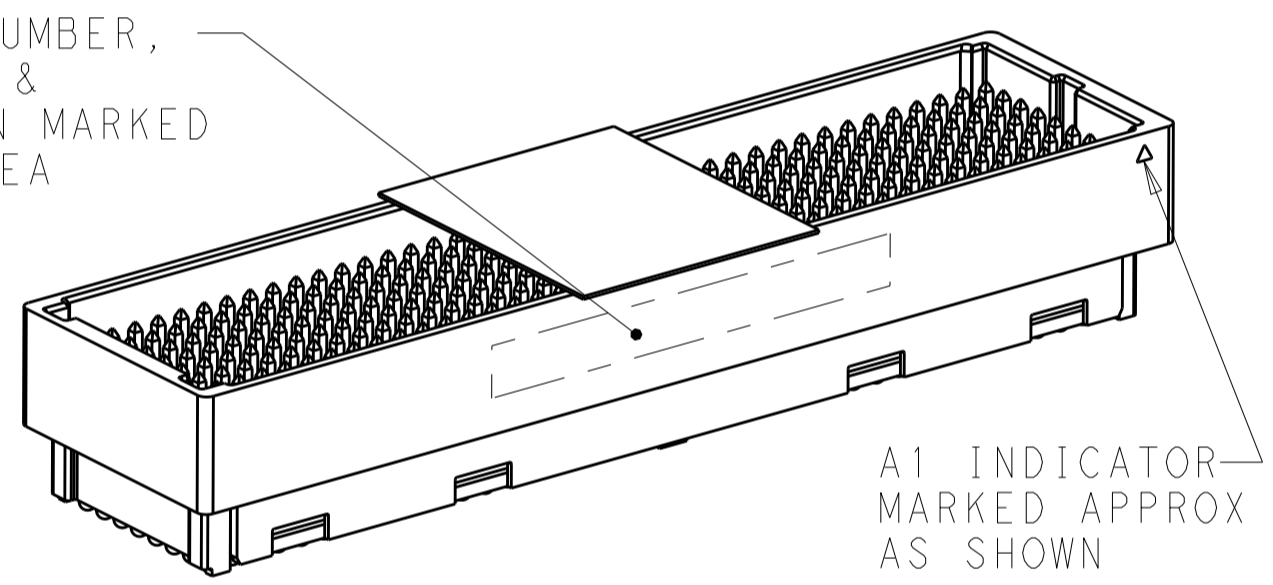
3. PRODUCT IS PACKAGED ON TAPE AND REELED.

⚠ PRELIMINARY PART.

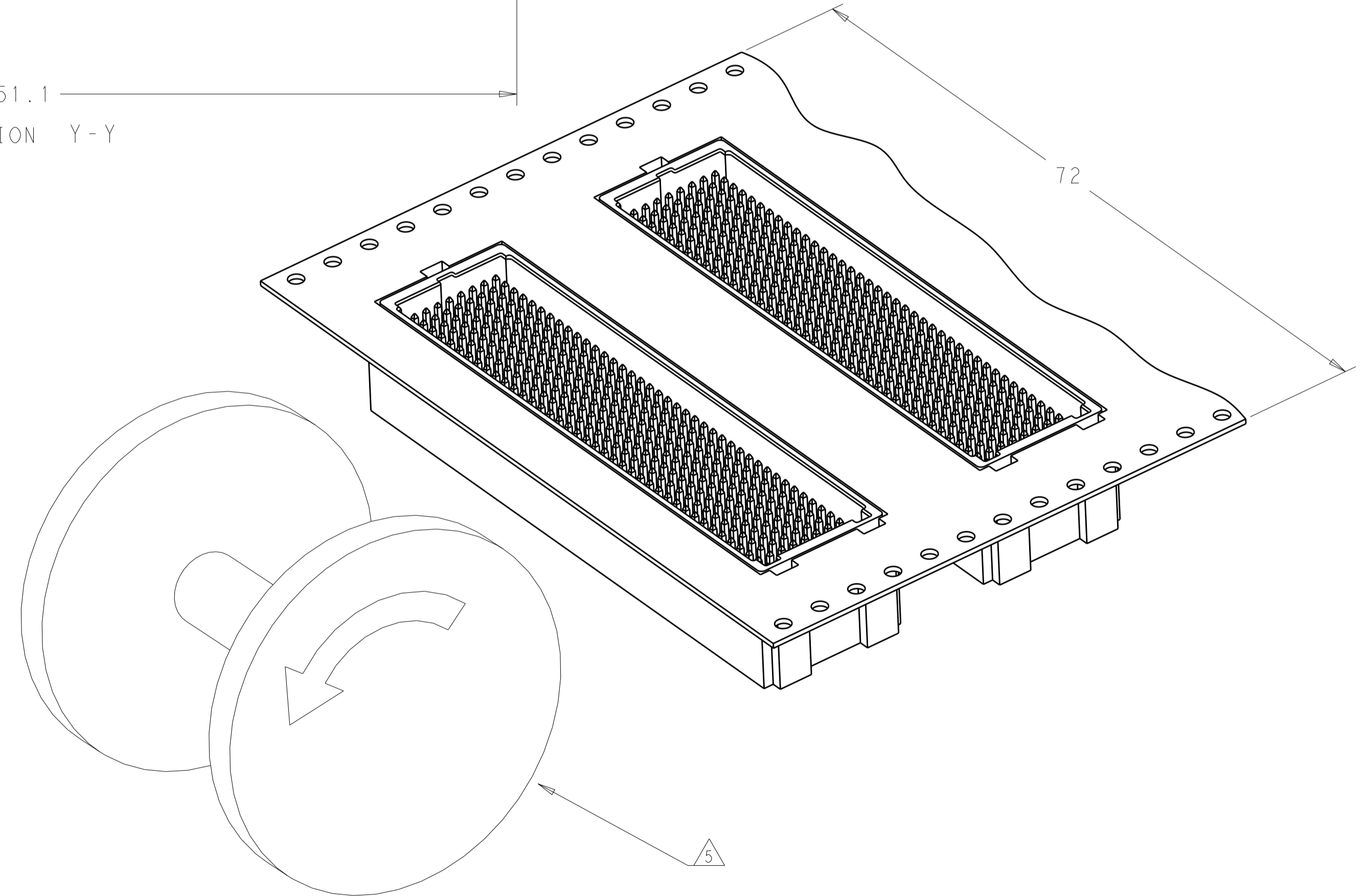
⚠ DIAGRAM REPRESENTS THE REELING DIRECTION OF THE PACKAGED CONNECTORS. THERE ARE 10 EMPTY POCKETS AT THE BEGINNING OF THE REEL AND 15 EMPTY POCKETS AT THE END OF THE REEL.



ASSEMBLY PART NUMBER, DATE CODE & COUNTRY OF ORIGIN MARKED IN THIS AREA



PCB LAYOUT (CONNECTOR SIDE)



1-2102430-2	1-2102430-6	2102430-8	2102430-6	0.76 μm	LEAD FREE PER SAC405	2102429-4
SUPERSEDED BY 2102429-1	1-2102430-1	1-2102430-5	2102430-7	0.76 μm	TIN LEAD	2102429-3
SUPERSEDED BY 2102429-4	1-2102430-0	1-2102430-4	2102430-4	1.27 μm	LEAD FREE PER SAC405	2102429-2
	2102430-9	1-2102430-3	2102430-3	1.27 μm	TIN LEAD	2102429-1
18mm STACK MATING CONNECTOR	15mm STACK MATING CONNECTOR	12mm STACK MATING CONNECTOR	10mm STACK MATING CONNECTOR	GOLD PLATING THICKNESS	SOLDER BALL MATERIAL	PART NUMBER

THIS DRAWING IS A CONTROLLED DOCUMENT.		OWN: MCKIBBEN, JOHN	18 JUL 2012	TE Connectivity
DIMENSIONS: mm		CHK: DOWHOWER, KENNETH	APVD:	
TOLERANCES UNLESS OTHERWISE SPECIFIED:		PRODUCT SPEC		NAME: ASSEMBLY, PIN HOUSING XMC MEZZANINE 320 POSITION
0 PLC ±0.5		108-2411		
1 PLC ±0.13		APPLICATION SPEC		SIZE: CAGE CODE DRAWING NO. RESTRICTED TO A1 00779 C=2102429
2 PLC ±0.013		114-132776		
3 PLC ±0.001		WEIGHT		SCALE: 3:1 SHEET 1 OF 1 REV C
4 PLC ±0.001		CUSTOMER DRAWING		

# Mouser Electronics

Authorized Distributor

Click to View Pricing, Inventory, Delivery & Lifecycle Information:

[TE Connectivity:](#)

[2102429-2](#)