

SERIES 86
Unsealed, .500" Centers,
Flange Mounted

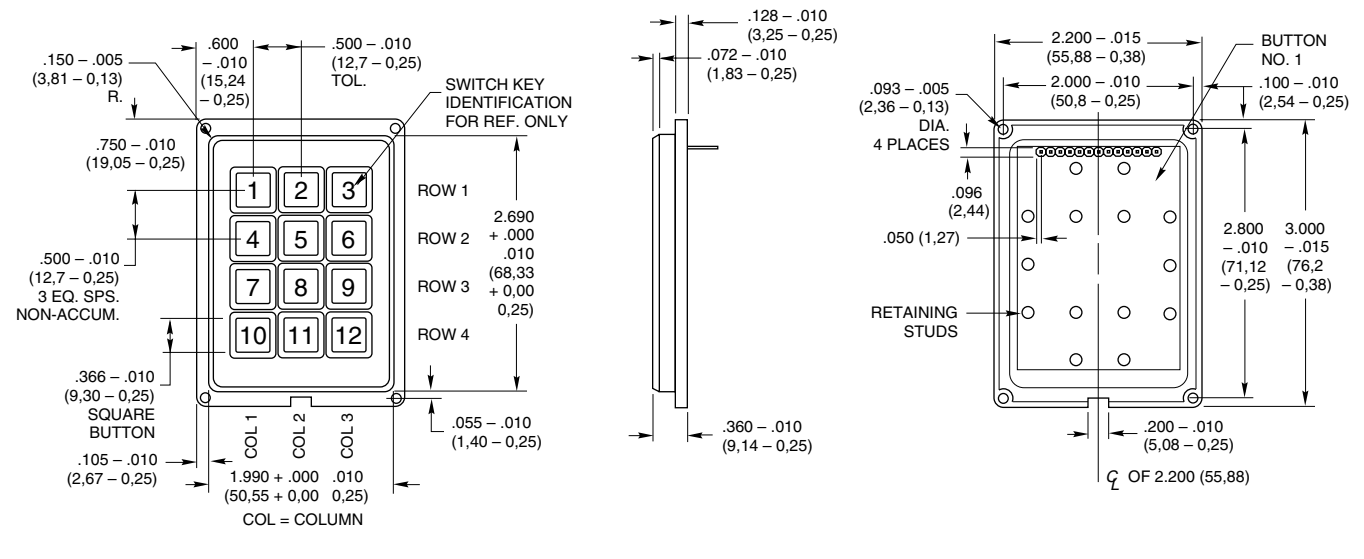
FEATURES

- 1/2" Button Centers
- Flange Mounted
- Top Surface or Sub Surface Mounting
- Snap-Dome Contact Provides Positive Feedback

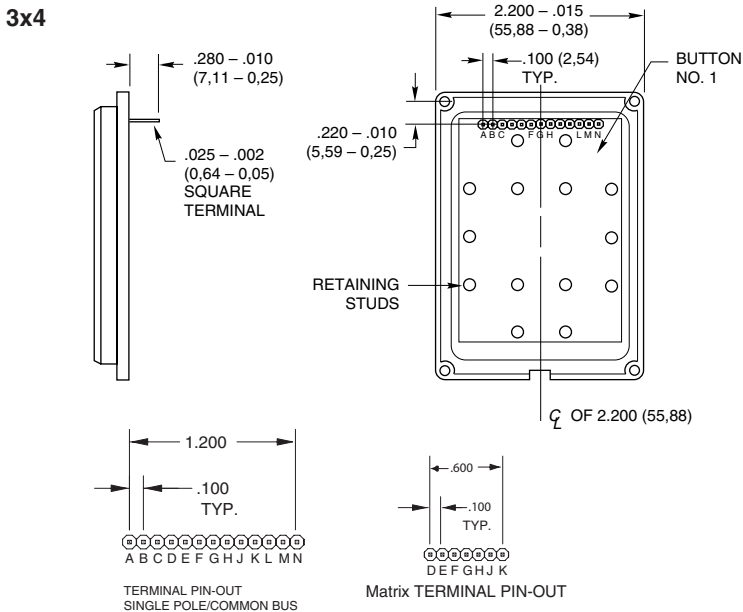


DIMENSIONS in inches (and millimeters)

3x4 Keyboard



Termination in inches (and millimeters)



Code and Truth Table

Dots in the chart indicate connected terminals when switch is closed. Terminals are identified on the keyboard.

3x4		CODES																					
		Matrix								Single Pole/Common Bus													
BUTTON LOCATION	1	•																					
	2	•	•	•						•							•						
	3				•						•						•						
	4	•				•						•					•						
	5		•				•						•				•						
	6			•				•						•			•						
	7	•							•						•		•						
	8		•							•						•	•						
	9			•							•						•						
	10	•														•	•						
	11		•														•						
	12			•													•						
		F	E	D	K	J	H	G	J	E	A	K	F	B	L	G	C	M	H	D	N		
		TERMINAL LOCATION																					

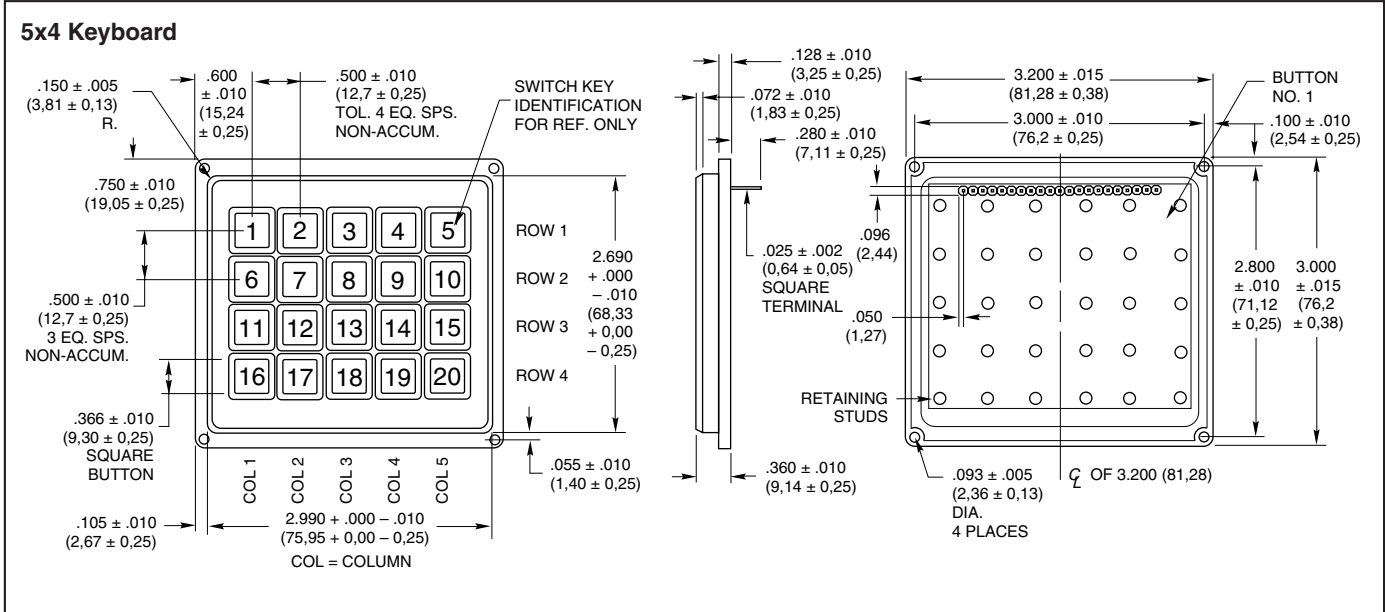
SERIES 86
Unsealed, .500" Centers,
Flange Mounted

FEATURES

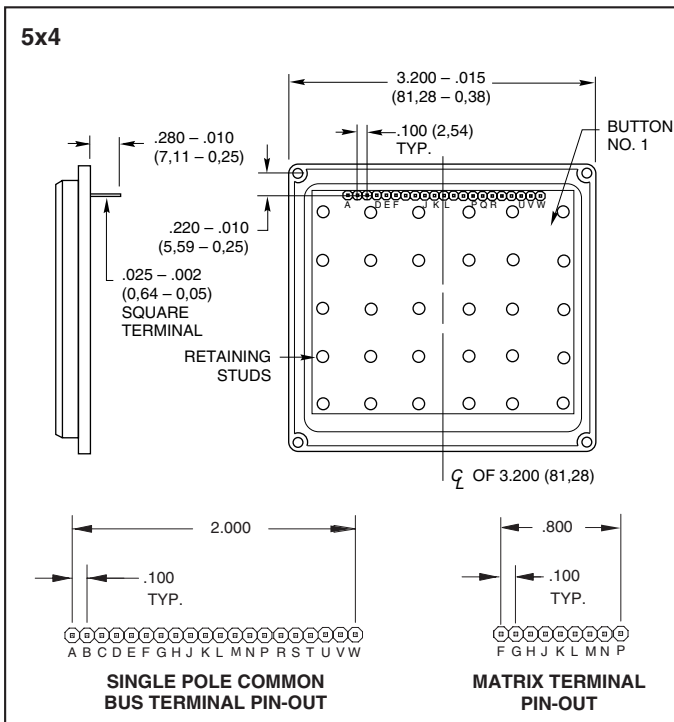
- 1/2" Button Centers
- Flange Mounted
- Top Surface or Sub Surface Mounting
- Snap-Dome Contact Provides Positive Feedback



DIMENSIONS in inches (and millimeters)



Termination in inches (and millimeters)



Code and Truth Table

Dots in the chart indicate connected terminals when switch is closed. Terminals are identified on the keyboard.

5x4	CODES	
	Matrix	Single Pole/Common Bus
1	•	•
2	•	•
3	•	•
4	•	•
5	•	•
6	•	•
7	•	•
8	•	•
9	•	•
10	•	•
11	•	•
12	•	•
13	•	•
14	•	•
15	•	•
16	•	•
17	•	•
18	•	•
19	•	•
20	•	•
	P N K G F J L M H	T P M H D U Q L G C V R K F B W S J E A N
	TERMINAL LOCATION	

SPECIFICATIONS

Rating Criteria

Rating at 24 Vdc: 10 milliamps, resistive
Contact Resistance: Compatible with MOS, TTL and DTL (10 ohms maximum)
Voltage Breakdown: 250Vac between mutually insulated parts
Life Expectancy: 3,000,000 operations per button

Contact Bounce: Less than 4 milliseconds at make, 10 milliseconds at break
Operating Temperature: -40°C to +80°C

Contact Dome: Stainless steel, selectively gold-plated
Terminals: Phosphor bronze

Materials and Finishes

Housing: ABS polycarbonate, black
Buttons: ABS plastic, white. Legends are black.
Snap-On-Cap: Clear polycarbonate

Operating Features

Button Travel: 0.015" nominal total travel
Typical Operating Force: 350 grams

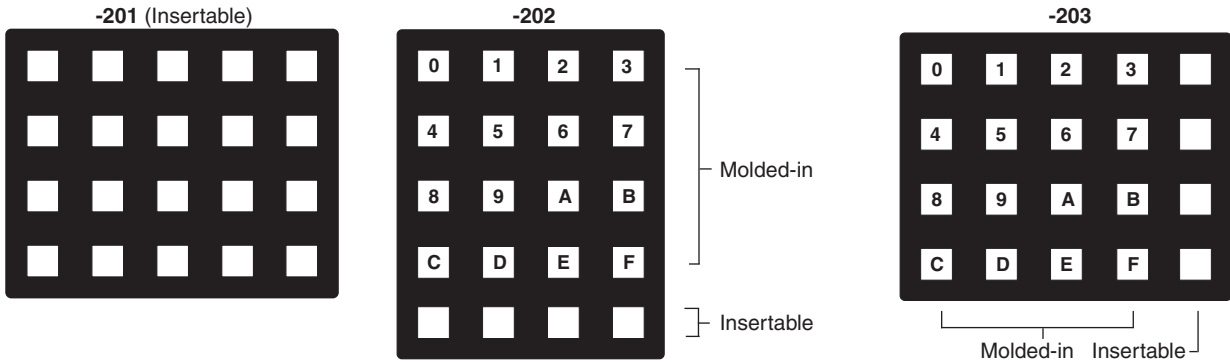
STANDARD LEGENDS

Insertable legend version (legend numbers -101, -001, -201 and row or column indicated in -202 and -203) has a removable cap. The revealed button surface can be legended by an insert or a dry transfer of a blank legend

insert. This surface can also be ink stamped by Grayhill in higher volume quantities. When the cap is replaced, the assembly extends approximately .015" (0,38 mm) above the surface. The legend sheet information follows

the legend presentation. All other legends incorporate molded-in (two shot) legends with the exception of legend numbers -202 and -203. The blank legends or spaces in legends -202 and -203 are insertable legends, others are molded-in.

5x4: Shown below

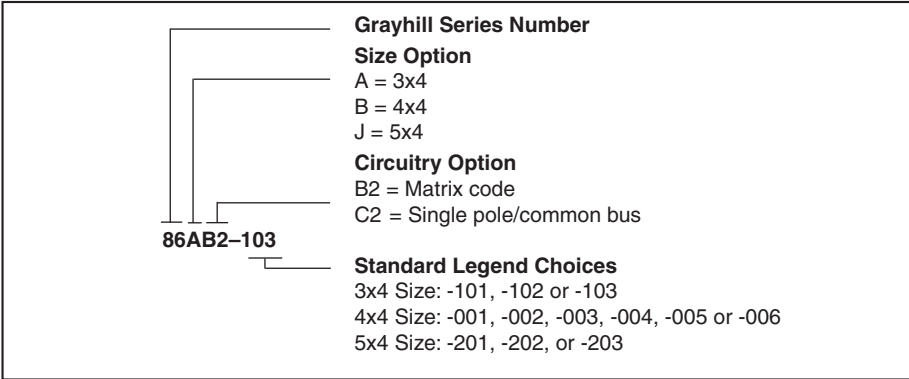


Keyboards and Keypads

INSERTABLE LEGENDS

For use with -101, -001, -201, -202 and -203 legend options. Legends are die cut to fit button surface when cap is removed. Dry transfer legends offer some flexibility to customize the blank inserts included on the sheet of popular legend letters, words and symbols provided or on the insertable legends sheet.

ORDERING INFORMATION



Available from your local Grayhill Distributor. For prices and discounts, contact a local Sales Office, an authorized local Distributor or Grayhill.