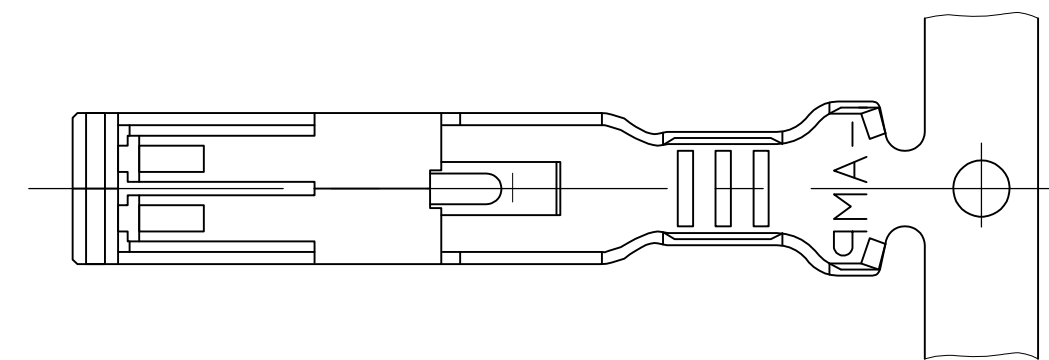
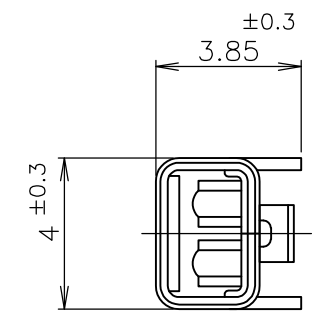
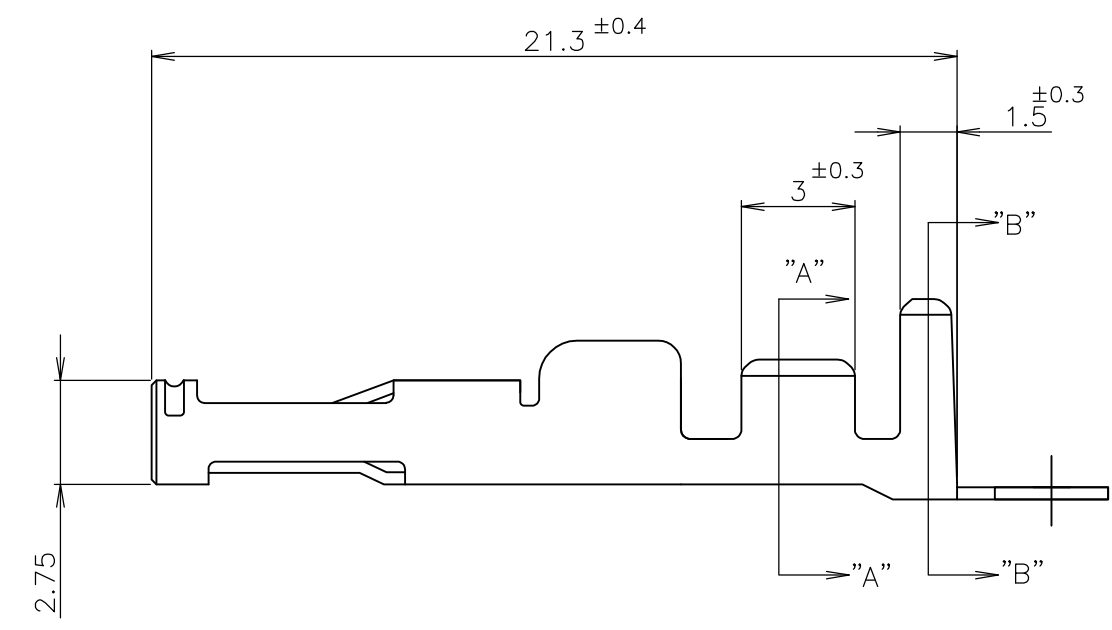
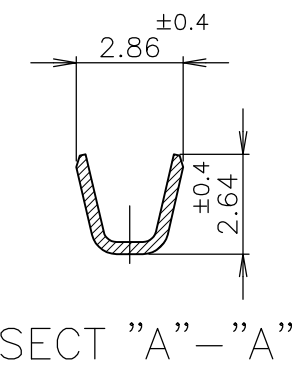


THIS DRAWING IS UNPUBLISHED. RELEASED FOR PUBLICATION
 © COPYRIGHT By - ALL RIGHTS RESERVED.

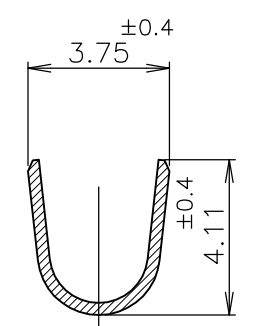
LOC	DIST	REVISIONS 変更					
J		P	LTR	DESCRIPTION	DATE	DWN	APVD
			B1	REVISED PER ECO-11-005030	11MAR11	RK	HMR



- 注記;
- ① 材料 : 銅合金
 - ② 仕上げ : 材料めっき
全面ニッケル下地めっきの上に
接触部 : 金めっき
圧着部 : 半田めっき
 - ③ 仕上げ : 全面錫めっき
 - ④ 仕上げ : 材料めっき
全面ニッケル下地めっきの上に
接触部 : 金めっき
圧着部 : 錫めっき
 - 5. 使用コネクタ型番 : X-179323-X, X-179312-X
 - ⑥ 一般公差
10以下 : ±0.2
10を越え30以下 : ±0.25
30を越え100以下 : ±0.3
角度 : ±3°



- NOTES;
- ① MATERIAL : COPPER ALLOY.
 - ② FINISH : PRE-PLATED
NICKEL PL ALL OVER
CONTACT AREA : GOLD PL.
BARREL AREA : TIN-LEAD PL.
 - ③ FINISH : TIN PL ALL OVER.
 - ④ FINISH : PRE-PLATED
NICKEL PL ALL OVER
CONTACT AREA : GOLD PL.
BARREL AREA : TIN PL.
 - 5. USED CONNECTOR P/N : X-179323-X, X-179312-X
 - ⑥ GENERAL TOLERANCE
10 ≧ : ±0.2
30 ≧ >10 : ±0.25
100 ≧ >30 : ±0.3
ANGLES : ±3°



④	179316-4
③	1-179316-2
②	179316-2
仕上 FINISH	P/N

WIRE RANGE 総合電線断面積	0.5~1.25mm ² (AWG16~20)	INSULATION DIA 被覆外径	φ 1.6~2.8 mm
-----------------------	------------------------------------	------------------------	--------------

THIS DRAWING IS A CONTROLLED DOCUMENT.		DWN K.IINO	28OCT98	TE Connectivity													
DIMENSIONS: 単位: 耗 mm		CHK J.TANIGAWA	28OCT98														
TOLERANCES UNLESS OTHERWISE SPECIFIED: 一般公差		APVD S.KUBOUCHI	28OCT98														
<table border="1"> <tr><td>0 PLC</td><td>±</td><td rowspan="5">⑥</td></tr> <tr><td>1 PLC</td><td>±</td></tr> <tr><td>2 PLC</td><td>±</td></tr> <tr><td>3 PLC</td><td>±</td></tr> <tr><td>4 PLC</td><td>±</td></tr> <tr><td>ANGLES</td><td>±</td><td></td></tr> </table>		0 PLC	±			⑥	1 PLC	±	2 PLC	±	3 PLC	±	4 PLC	±	ANGLES	±	
0 PLC	±	⑥															
1 PLC	±																
2 PLC	±																
3 PLC	±																
4 PLC	±																
ANGLES	±																
MATERIAL 材料		PRODUCT SPEC 製品規格		RECEPTACLE CONTACT HYBRID MINI DRAWER CONNECTOR													
FINISH 仕上		APPLICATION SPEC 取付適用規格	114-5182	SIZE	A3												
①		WEIGHT		CAGE CODE	00779												
② ③ ④		CUSTOMER DRAWING		DRAWING NO 番号	C-179316												
				RESTRICTED TO	-												
				SCALE 尺度	NTS												
				SHEET	1 OF 1												
				REV	B1												

Mouser Electronics

Authorized Distributor

Click to View Pricing, Inventory, Delivery & Lifecycle Information:

[TE Connectivity:](#)

[179316-4](#)