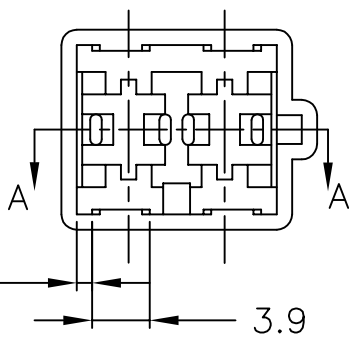
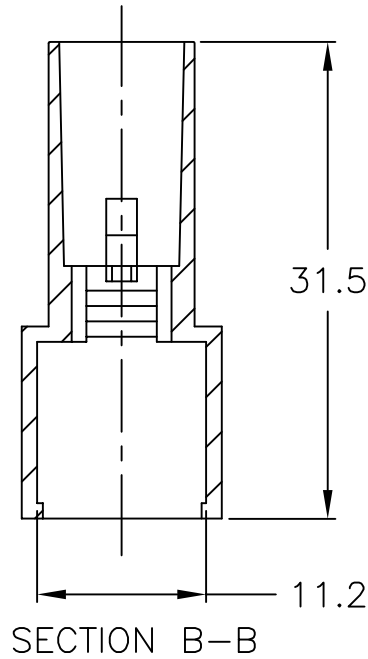
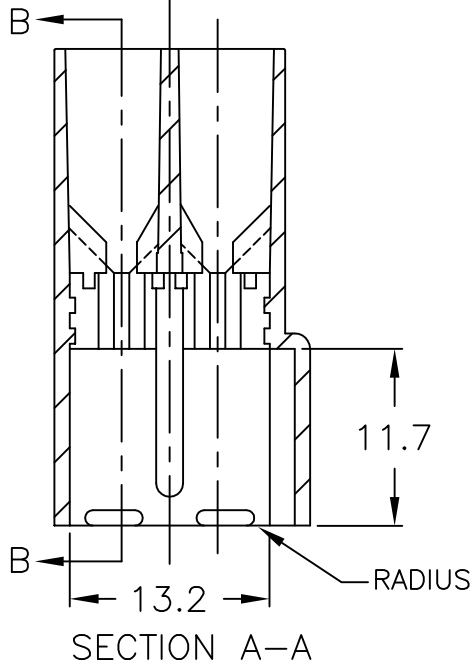
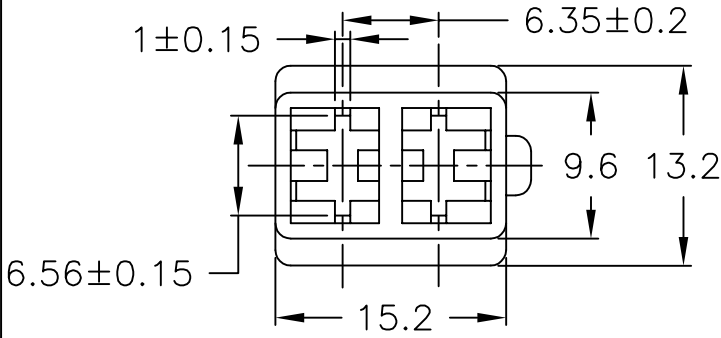


REVISIONS					
P	LTR	DESCRIPTION	DATE	DWN	APVD
	L	REDRAWN PER ECR-17-015744	25OCT2017	BDA	GG



1 OBSOLETE PARTS: OBSOLETE CIS STREAMLINING PER D.RENAUD/D.SINISI

1 OBSOLETE

NOTES	COLOUR	MATERIAL	PART NUMBER
	BLACK	NYLON 6/6	280542-5
	RED		280542-1
	NATURAL		280542-0

RELEASED FOR PUBLICATION

ALL RIGHTS RESERVED.

THIS DRAWING IS UNPUBLISHED.

© COPYRIGHT - TE Connectivity

DIMENSIONS: mm		DWN BASAVARAJA D A 25OCT2017	MATERIAL SEE TABLE	FINISH SEE TABLE
TOLERANCES UNLESS OTHERWISE SPECIFIED:		CHK GUNASEKHAR G 25OCT2017	TE Connectivity	
0 PLC ± -		APVD GUNASEKHAR G 25OCT2017		
1 PLC ± 0.4		PRODUCT SPEC -		
2 PLC ± -		APPLICATION SPEC -	NAME 2 WAY .250 SRS FASTIN-ON TAB HSG	
3 PLC ± -		WEIGHT	SIZE A4	CAGE CODE 00779
4 PLC ± -			DRAWING NO C-280542	RESTRICTED TO -
ANGLES ± 1°			CUSTOMER DRAWING	SCALE 2:1

Mouser Electronics

Authorized Distributor

Click to View Pricing, Inventory, Delivery & Lifecycle Information:

[TE Connectivity:](#)

[280542](#)