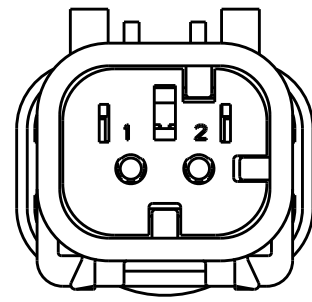
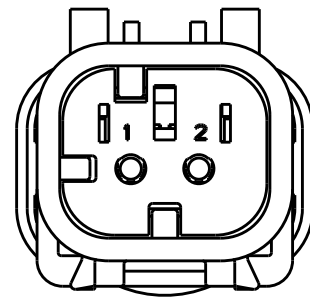


THIS DRAWING IS UNPUBLISHED. RELEASED FOR PUBLICATION
 © COPYRIGHT 20 BY - ALL RIGHTS RESERVED.

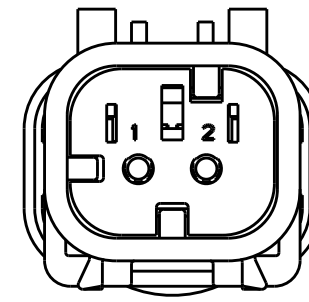
REVISIONS				
P	LTR	DESCRIPTION	DATE	APVD
E		REVISED PER ECO-13-019067	05DEC2013	DR RB



776428-2
SCALE 2:1
KEY B



776428-3
SCALE 2:1
KEY C



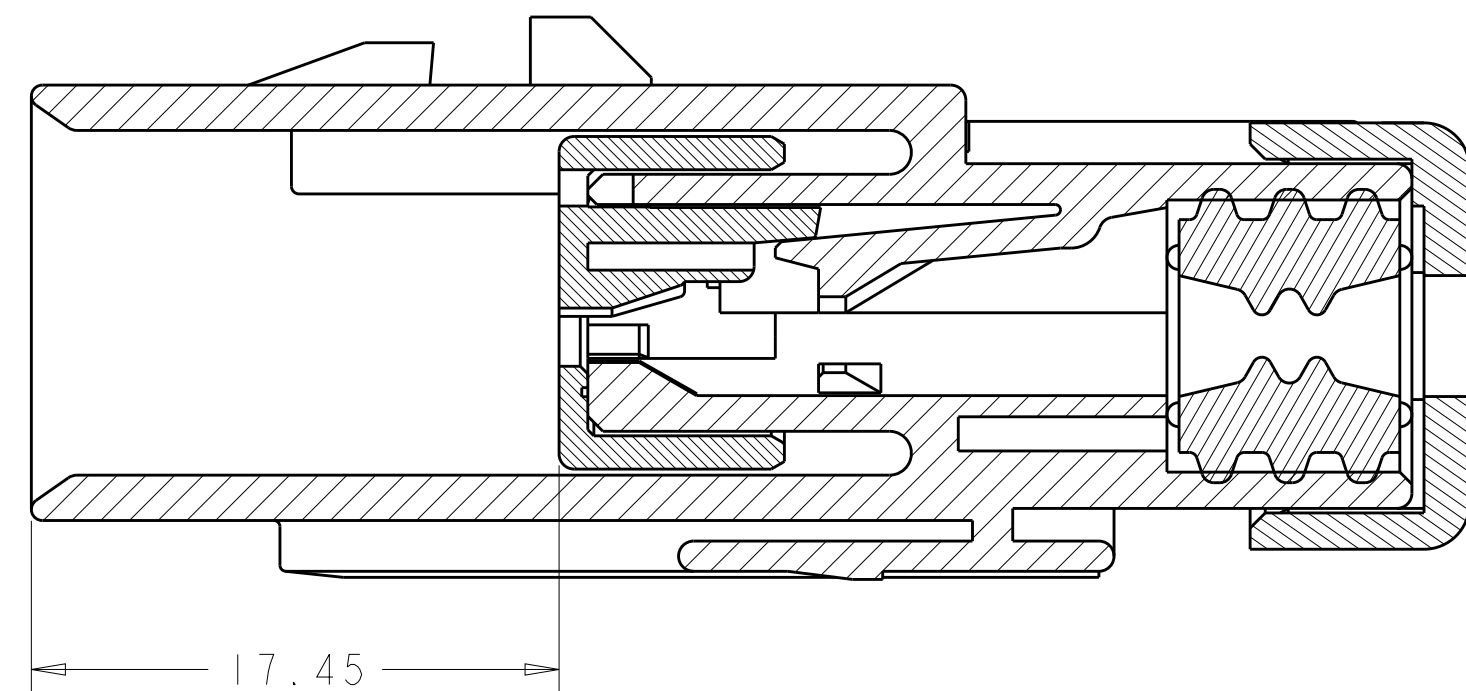
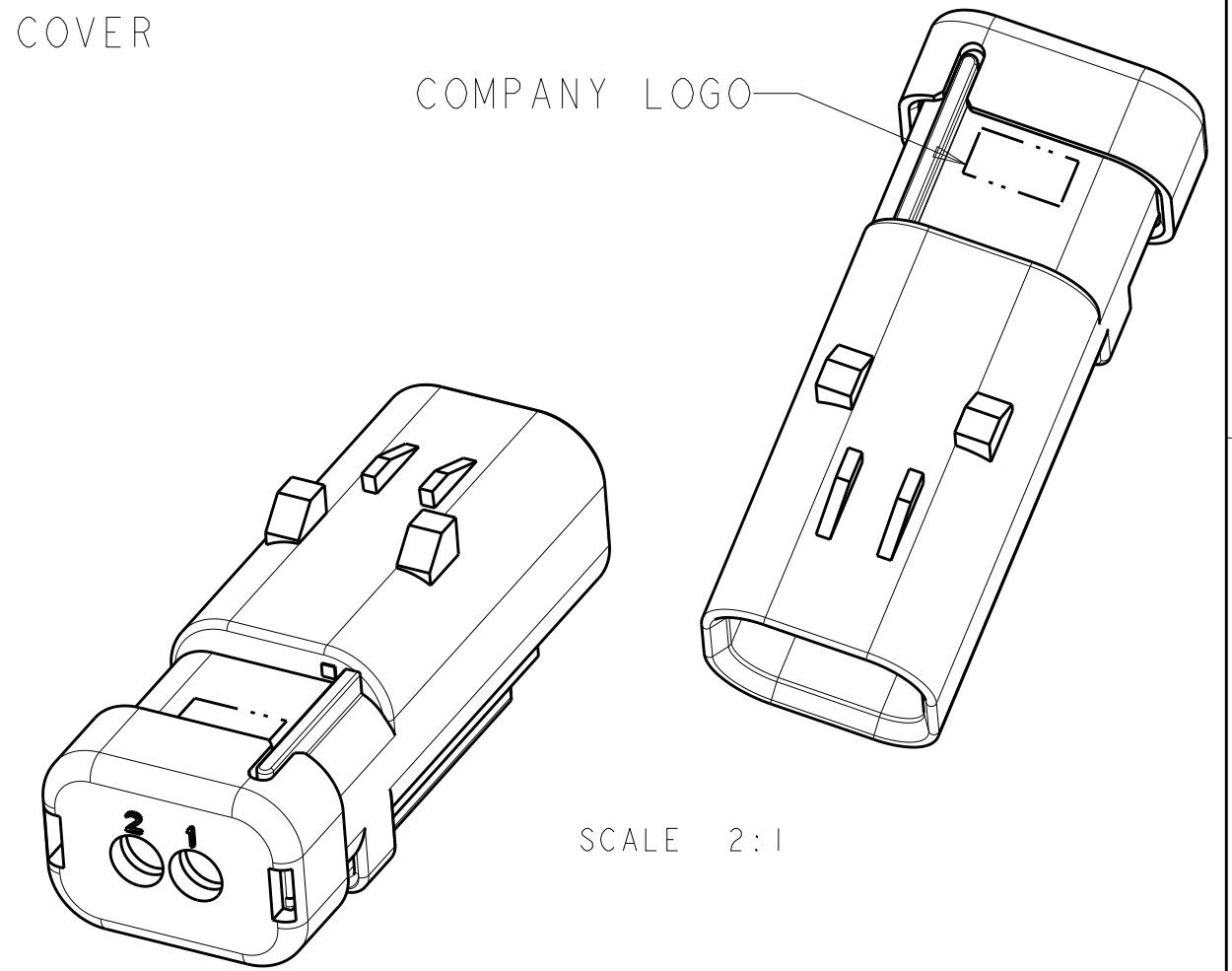
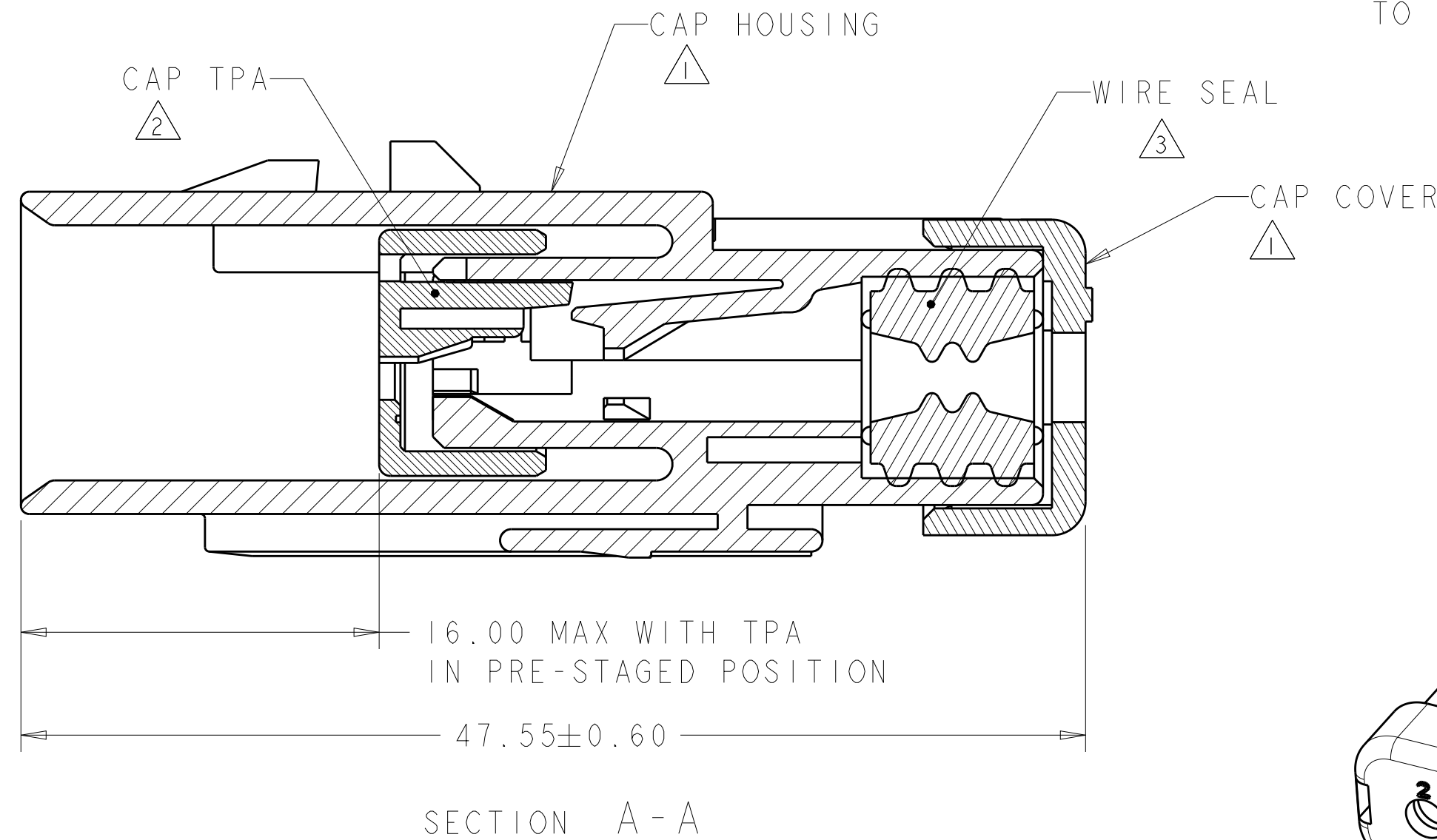
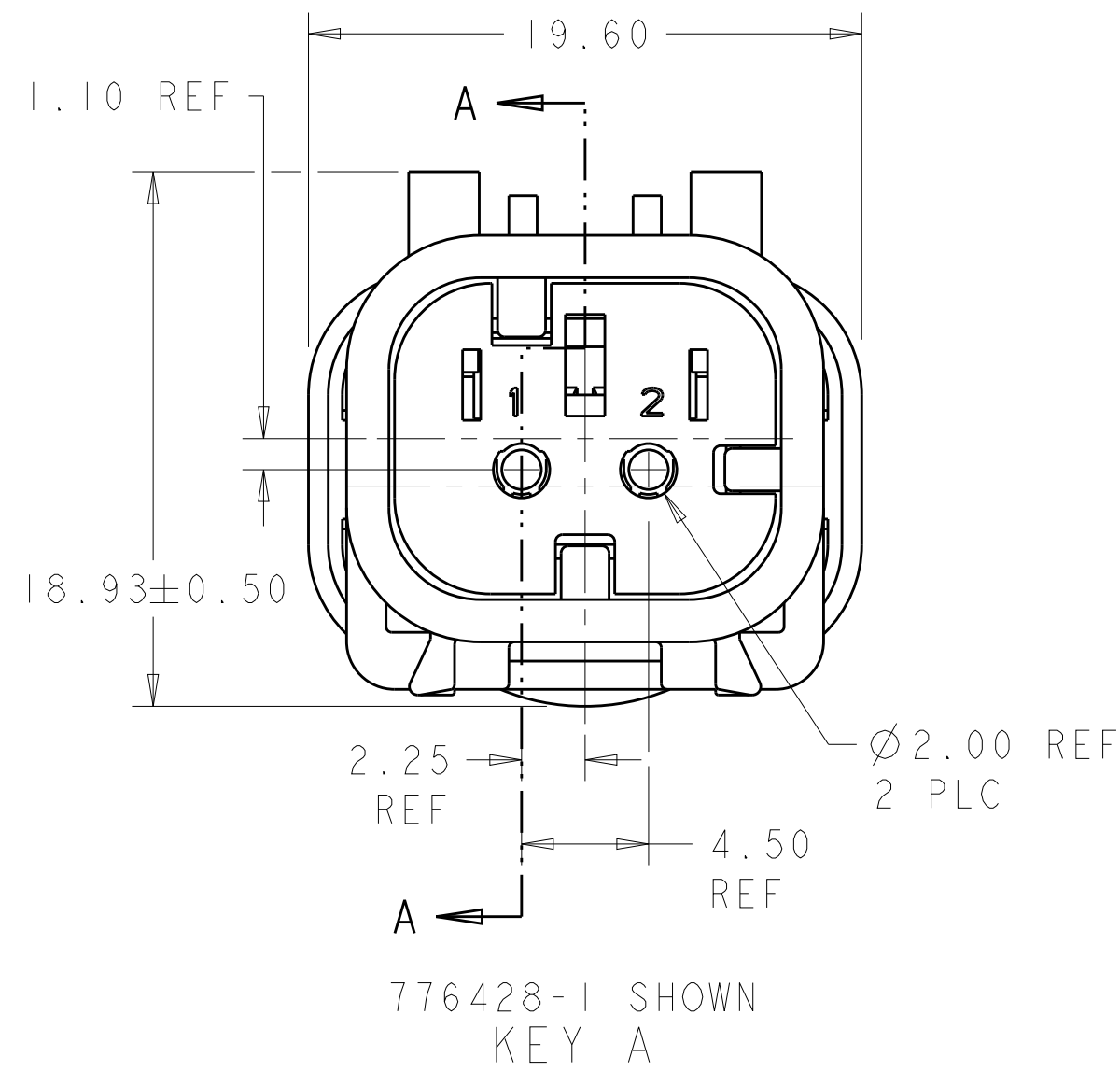
776428-4
SCALE 2:1
KEY D

1 MATERIAL: 15% GLASS FILLED THERMOPLASTIC
COLOR: BLACK

2 MATERIAL: 15% GLASS FILLED THERMOPLASTIC
COLOR: (SEE TABLE)

3 MATERIAL: SILICONE
COLOR: MARINE BLUE

4. RECOMMENDED WIRE DIAMETER RANGE IS 2.18 TO 3.67mm.



GREEN	776428-4
YELLOW	776428-3
GRAY	776428-2
RED	776428-1
TPA COLOR	PART NUMBER

THIS DRAWING IS A CONTROLLED DOCUMENT.		DWN Y. PETERSON 22FEB2000	TE Connectivity	
DIMENSIONS: mm		CHK R. GREINER 11DEC2001	NAME	
TOLERANCES UNLESS OTHERWISE SPECIFIED:		APVD M. TRULLI 11DEC2001	CAP ASSEMBLY, 2 POSITION, SINGLE ROW, AMPSEAL 16	
0 PLC	±	PRODUCT SPEC	SIZE	CAGE CODE
1 PLC	±	108-2184	A200779	C-776428
2 PLC	±	APPLICATION SPEC	SCALE	SHEET
3 PLC	±	114-13065	4:1	OF
4 PLC	±	WEIGHT	9	REV
ANGLES	±	Customer Drawing		E
FINISH	-			

Mouser Electronics

Authorized Distributor

Click to View Pricing, Inventory, Delivery & Lifecycle Information:

[TE Connectivity:](#)

[776428-2](#)