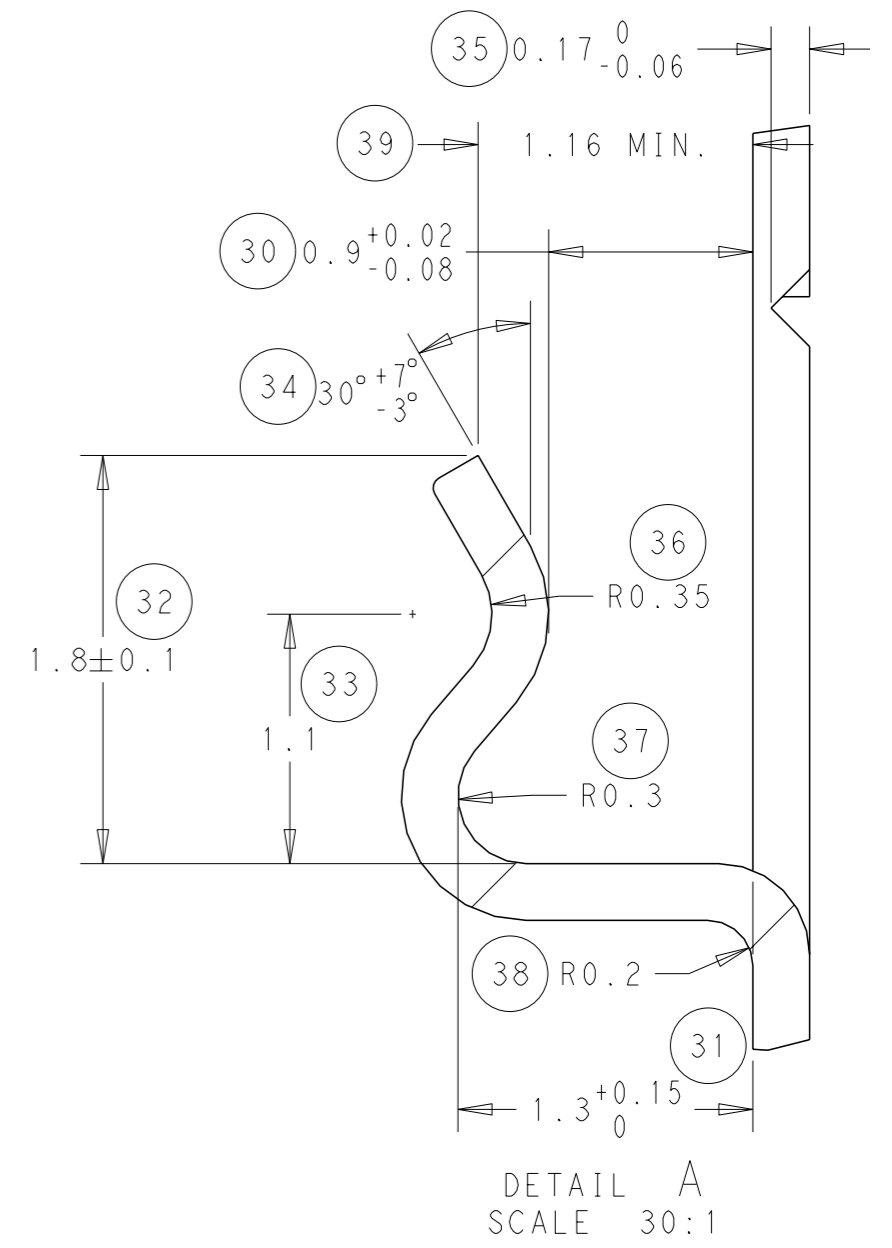
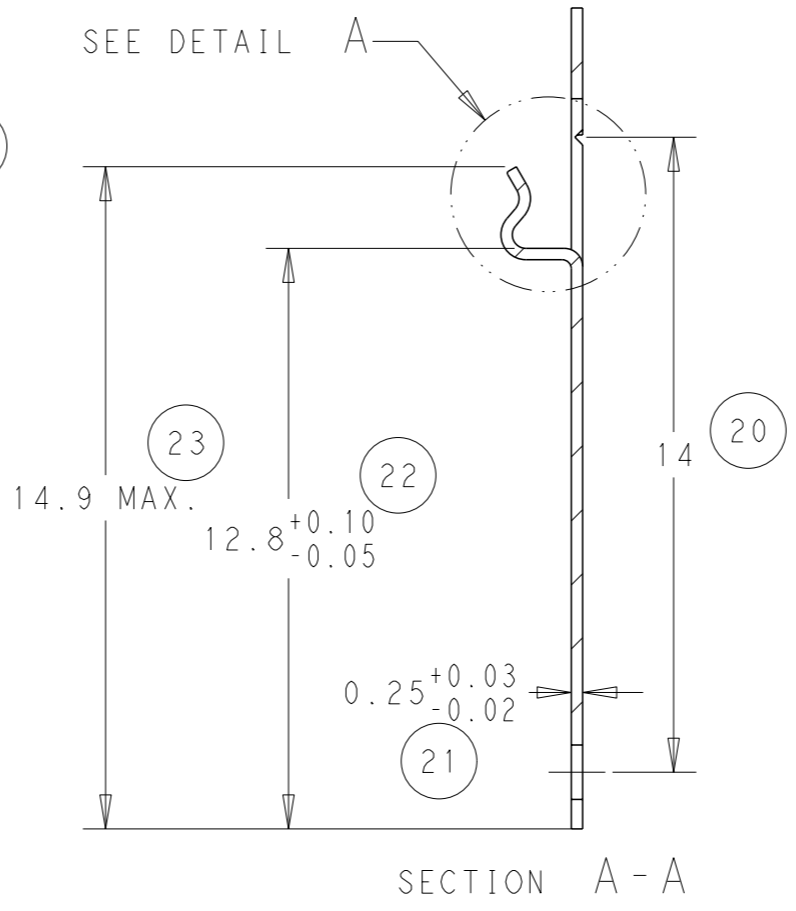
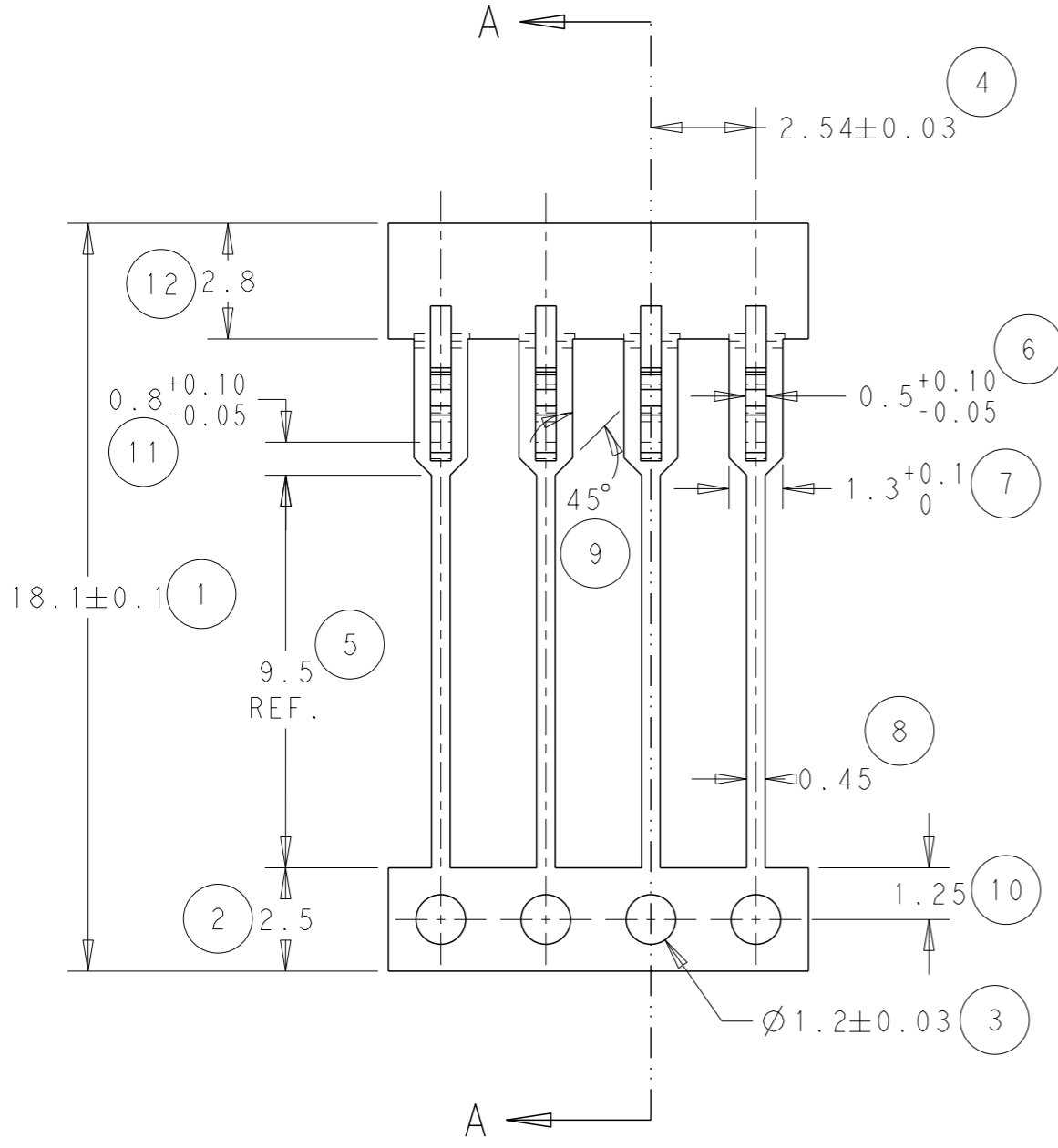
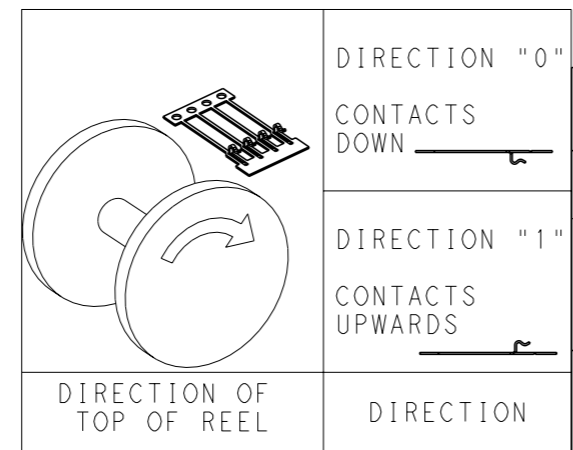
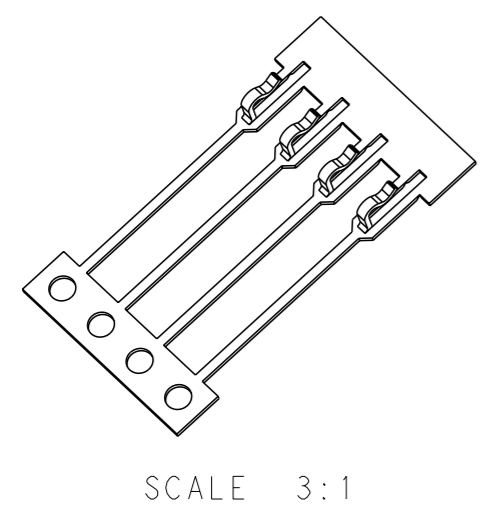


THIS DRAWING IS UNPUBLISHED. RELEASED FOR PUBLICATION 2011
 © COPYRIGHT 2011 TE CONNECTIVITY ALL RIGHTS RESERVED.

LOC	DIST	REVISIONS				
P	LTR	DESCRIPTION	DATE	DWN	APVD	
B	-	D	ECR-11-017472	02/08/11	JB	MG
		E	ECR-11-018539	12/09/11	JB	MG



NOTE
 BOWING: AFTER UPPER TIE BAR REMOVAL- 1.5mm MAX. FOR 500mm
 PITCH: AFTER UPPER TIE BAR REMOVAL- 2.54±0.127



DIRECTION "0" CONTACTS DOWN		DIRECTION "1" CONTACTS UPWARDS		DIRECTION		MATERIAL SEE ABOVE		FINISH -		WEIGHT -		SIZE A3		CAGE CODE 00779		DRAWING NO C-1544256		RESTRICTED TO -	
DIRECTION "0"		DIRECTION "1"		DIRECTION		MATERIAL SEE ABOVE		FINISH -		WEIGHT -		SIZE A3		CAGE CODE 00779		DRAWING NO C-1544256		RESTRICTED TO -	
DIRECTION "0"		DIRECTION "1"		DIRECTION		MATERIAL SEE ABOVE		FINISH -		WEIGHT -		SIZE A3		CAGE CODE 00779		DRAWING NO C-1544256		RESTRICTED TO -	
DIRECTION "0"		DIRECTION "1"		DIRECTION		MATERIAL SEE ABOVE		FINISH -		WEIGHT -		SIZE A3		CAGE CODE 00779		DRAWING NO C-1544256		RESTRICTED TO -	

0	Ni & Sn	1544256-2
0	Sn	1544256-1
REELING	FINISH	PART NUMBER

STE TE Connectivity

NAME: SIL CONTACT

SCALE: NTS SHEET 1 OF 1 REV E

Mouser Electronics

Authorized Distributor

Click to View Pricing, Inventory, Delivery & Lifecycle Information:

[TE Connectivity:](#)

[1544256-1](#)