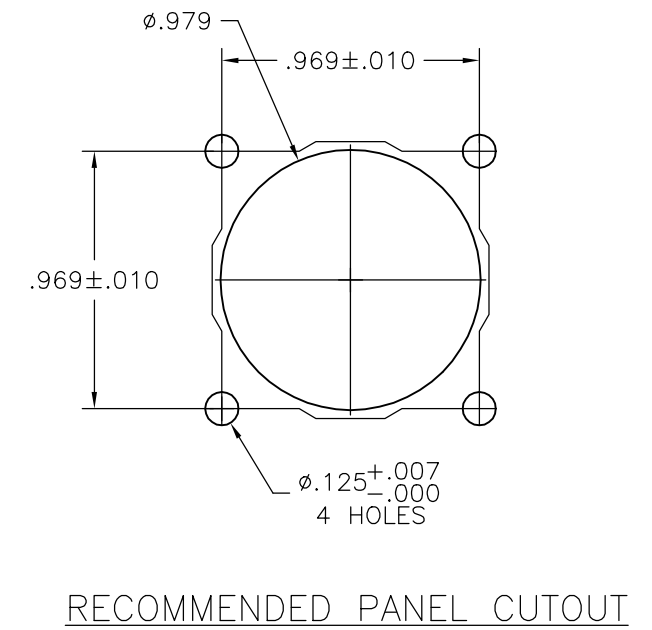
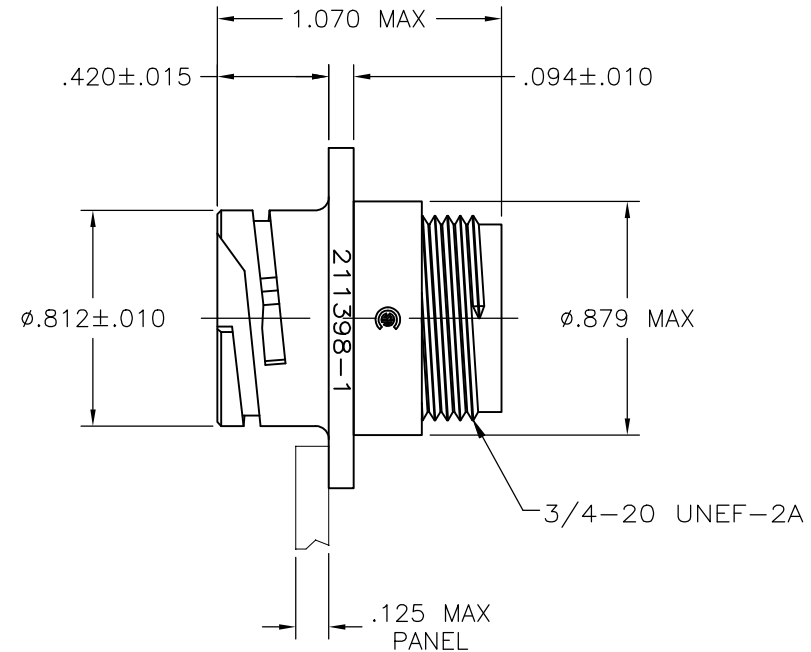
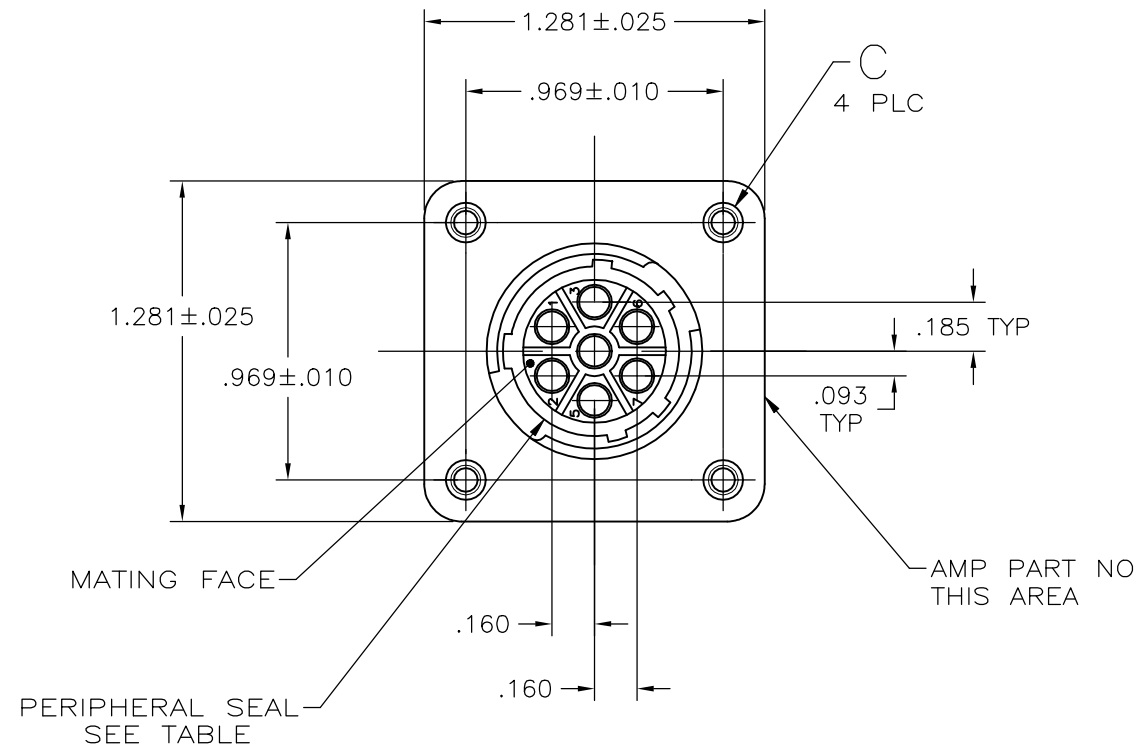
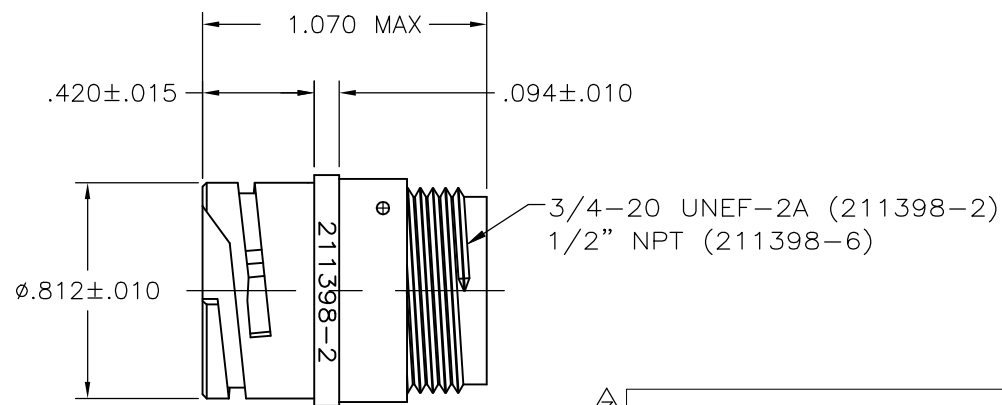
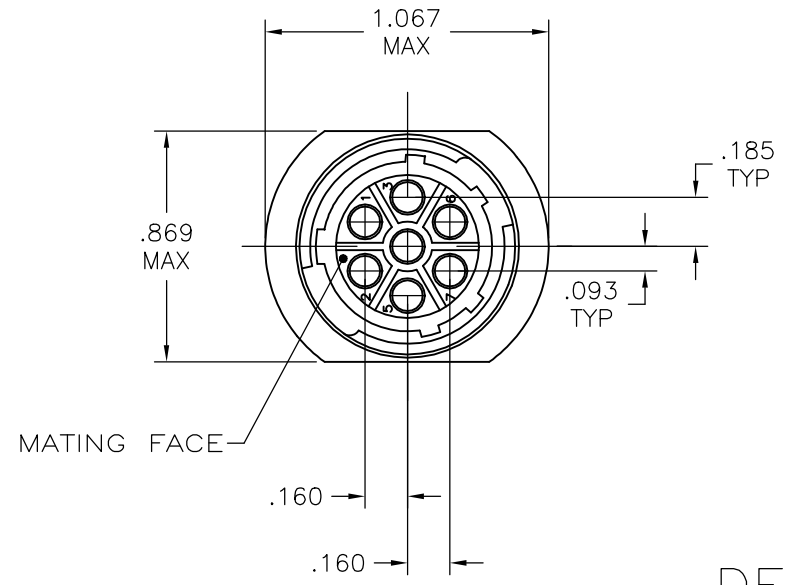


REVISIONS					
P	LTR	DESCRIPTION	DATE	DWN	APVD
K2		REVISED PER ECO-13-006250	12APR2013	KH	MZ
L		REVISED PER ECO-17-000037	10MAR2017	RS	MZ
M		REVISED PER ECO-18-018811	30NOV2018	RS	MZ



DETAIL A



DETAIL B

3	-	NO	B	211398-6
3	4-40 THREADED INSERTS	YES	A	211398-5
	4-40 THREADED INSERTS	NO	A	211398-4
	φ.125±.005	YES	A	211398-3
	-	NO	B	211398-2
	φ.125±.005	NO	A	211398-1
C		PERIPHERAL SEAL	SEE DETAIL	PART NUMBER

- NOTES:
- CAVITY IDENTIFICATION ON FRONT AND REAR FACE.
 - WILL ACCEPT SEVEN (7) MULTIMATE SOCKET CONTACTS.
- 3 OBSOLETE PART NUMBER.

4 COMPARATIVE TRACKING INDEX OF HOUSING MATERIAL PER UL746A=400 MIN.

THIS DRAWING IS A CONTROLLED DOCUMENT.

DIMENSIONS: INCHES	TOLERANCES UNLESS OTHERWISE SPECIFIED:	DWN: D.HARDY 07-27-94	TE Connectivity Ltd.
	0 PLC ± - 1 PLC ± - 2 PLC ± .005 3 PLC ± - 4 PLC ± - ANGLES ± 0°30'	CHK: R.STONE 08-10-94 APVD: A.FRANTUM 10-03-94 PRODUCT SPEC: - APPLICATION SPEC: -	
MATERIAL: NYLON, BLACK	FINISH: -	WEIGHT: -	NAME: RECEPTACLE, HOUSING, REVERSE SEX, 13-7, CPC SIZE: A2 CAGE CODE: 00779 DRAWING NO: C-211398 RESTRICTED TO: -

CUSTOMER DRAWING SCALE: 2:1 SHEET: 1 of 1 REV: M