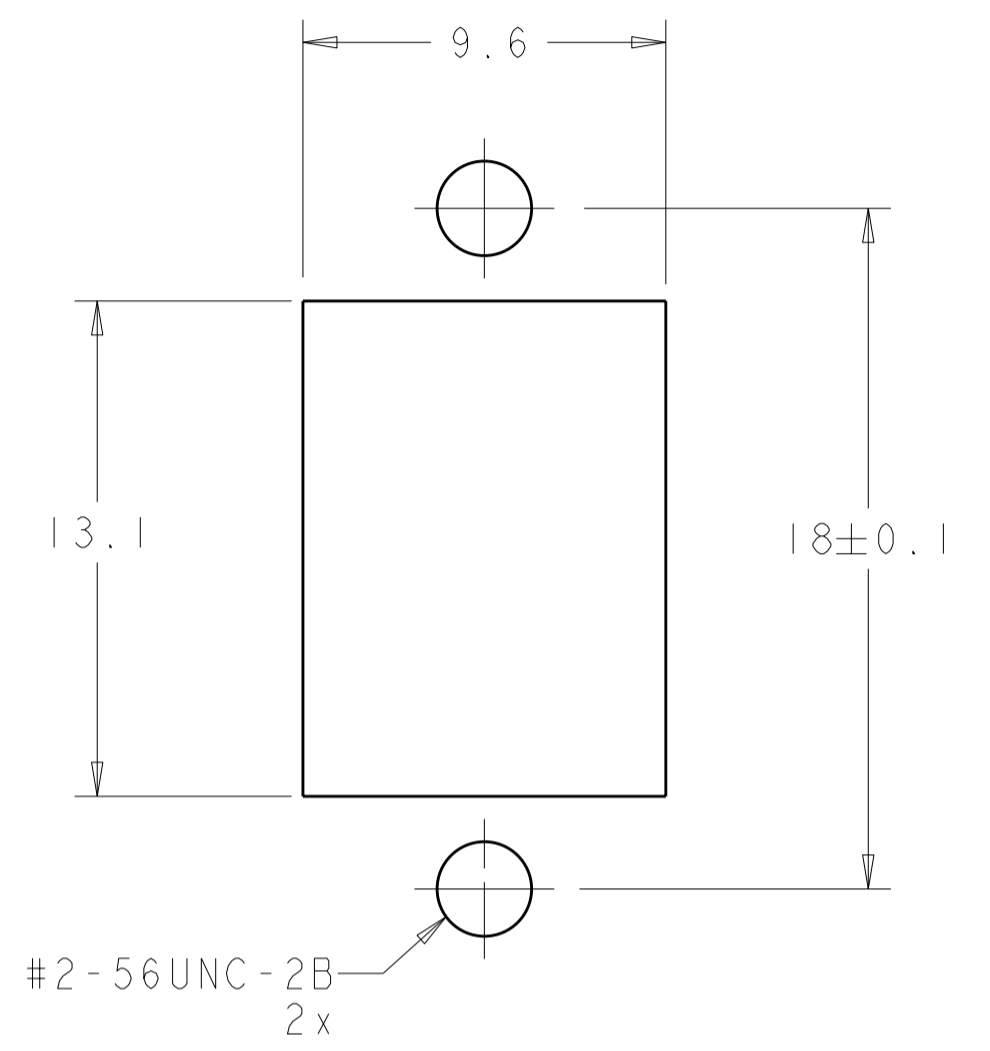
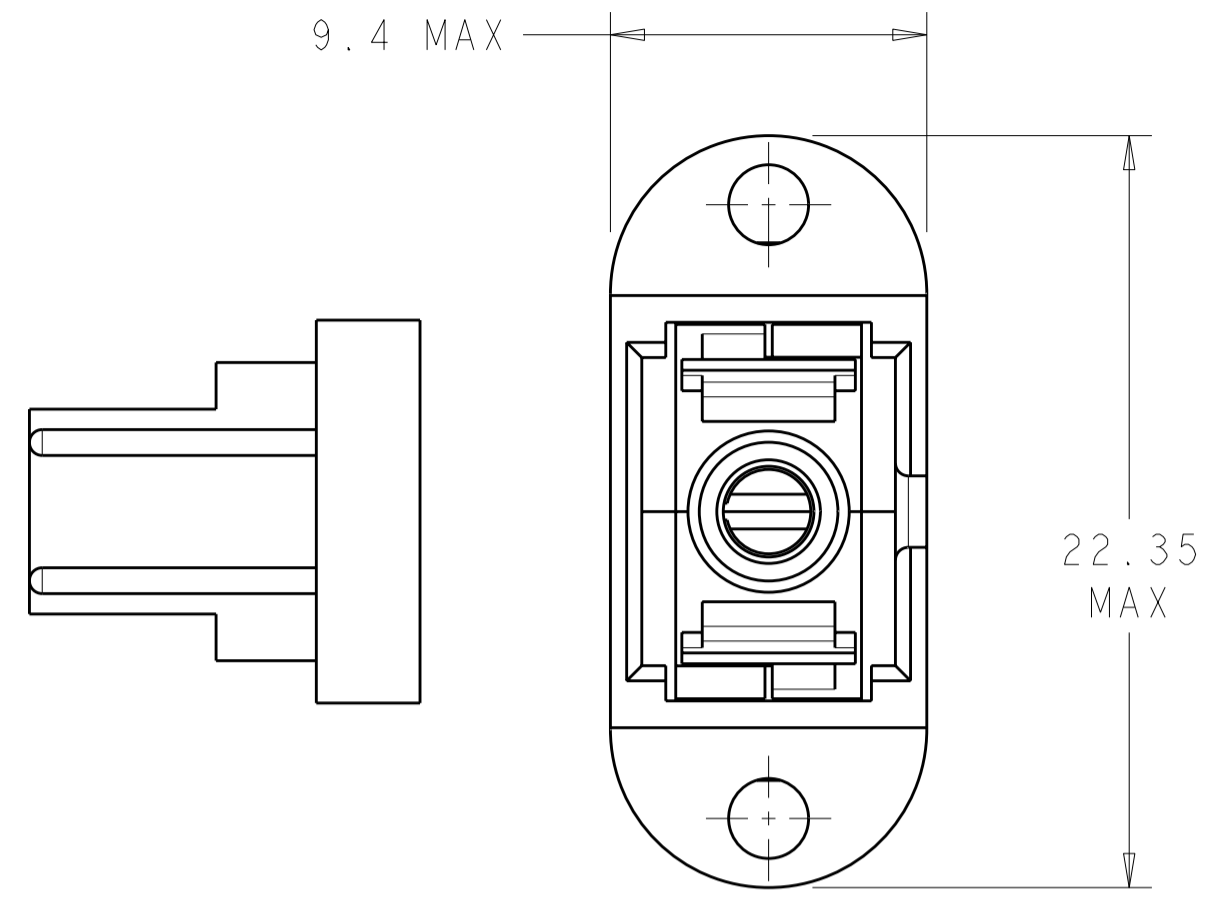
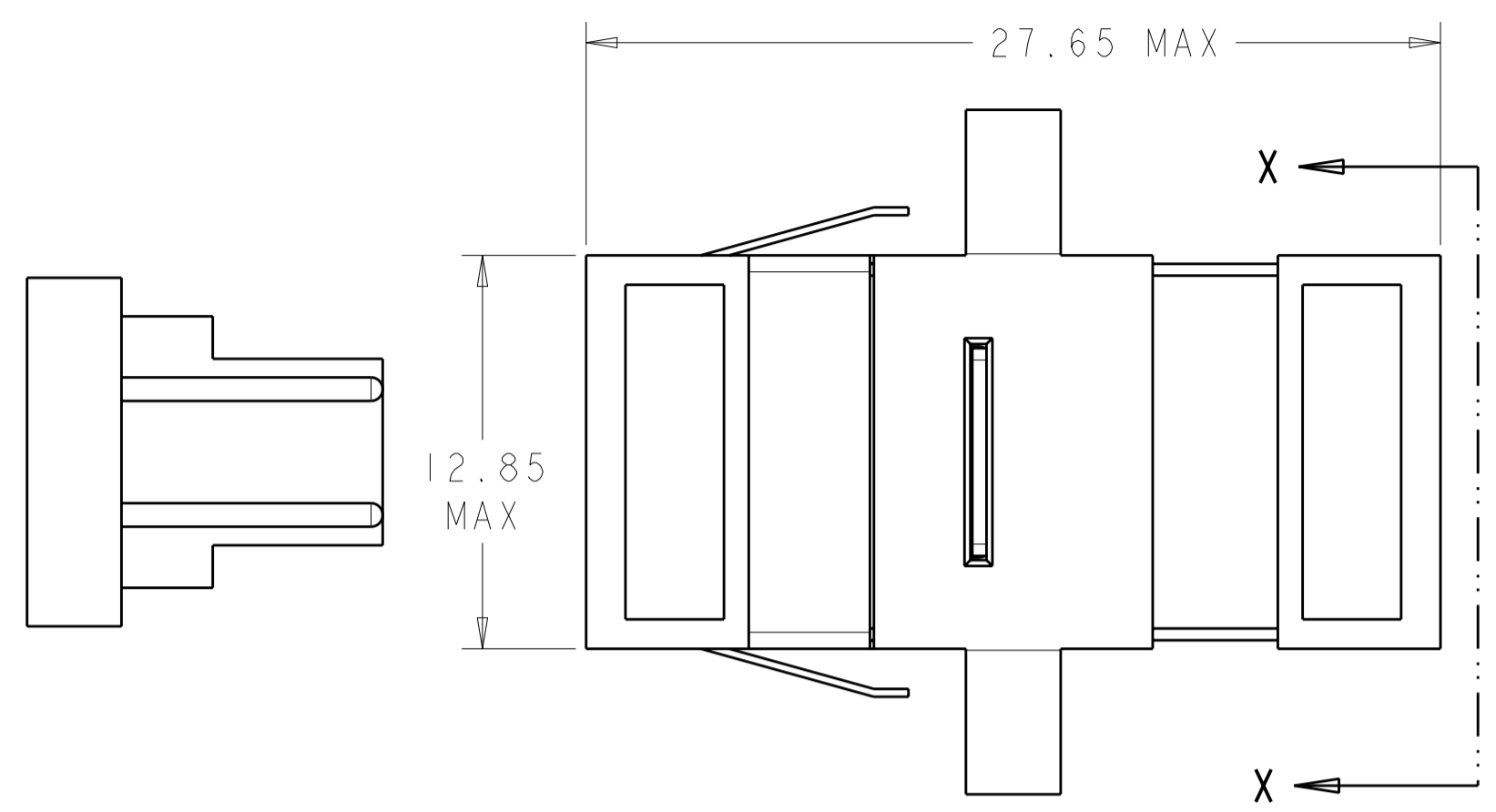


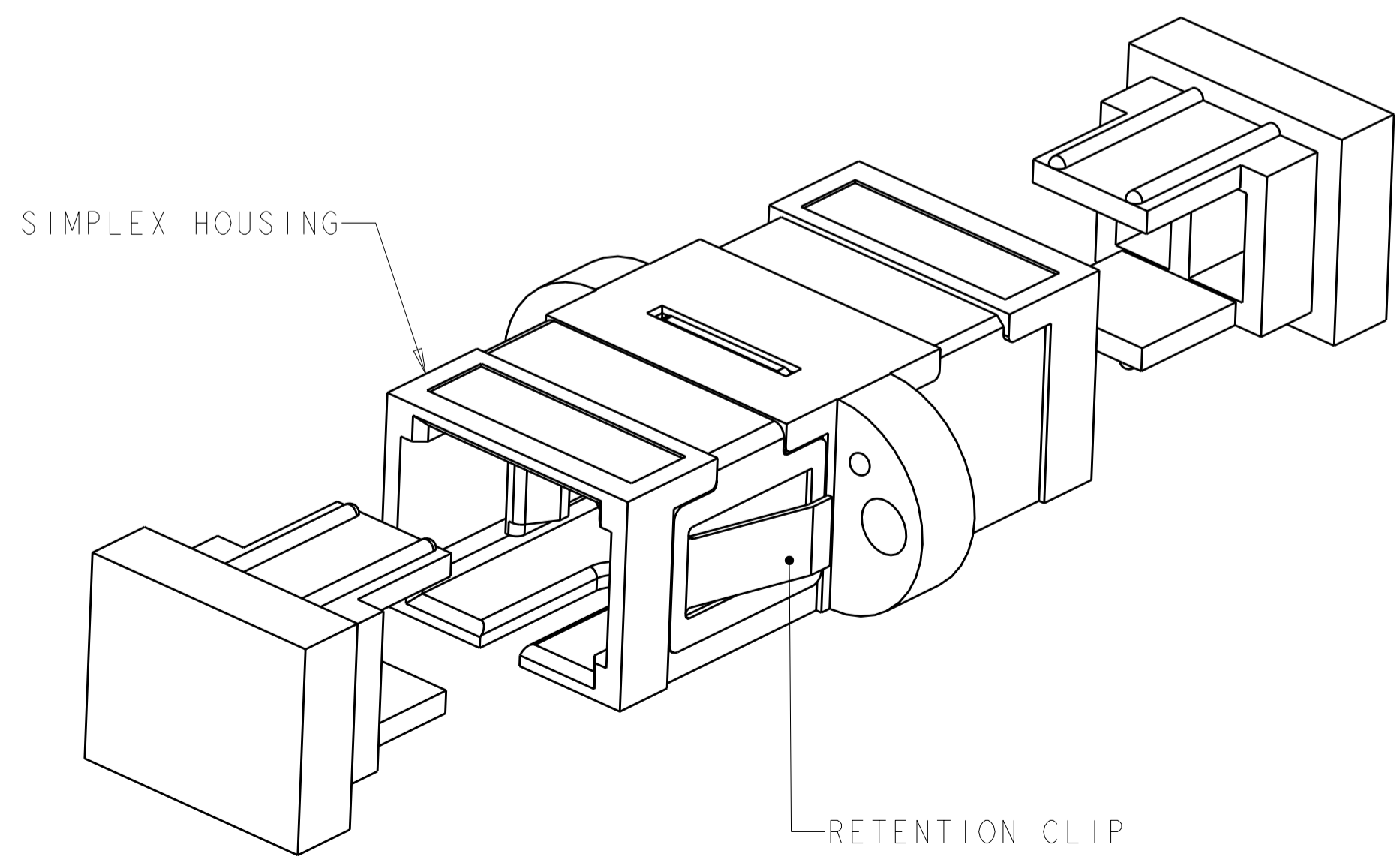
THIS DRAWING IS UNPUBLISHED. RELEASED FOR PUBLICATION 20
 © COPYRIGHT 20 BY TYCO ELECTRONICS CORPORATION. ALL RIGHTS RESERVED.

LOC	DIST	REVISIONS			
P	LTR	DESCRIPTION	DATE	DWN	APVD
CE	00				
	A	REVISE PER ECR-06-000779	12JAN2006	BB	SB
	B	REVISE PER ECR-07-014489	10JUL2007	BB	SM
	C	REVISE PER ECR-08-000844	23JAN2008	BB	SM



⚠ MATERIAL:
 HOUSING: PBT-GF30, COLOR: SEE TABLE.*
 RETAINER: PEI-GF30, COLOR:BLACK.*
 RETENTION CLIP: STAINLESS STEEL.
 ALIGNMENT SLEEVE: METAL.
 PROTECTIVE COVER: TPE, COLOR: BLACK.*
 *UL94 V-0 RATED AT QUALIFYING THICKNESS.

SUGGESTED PANEL CUTOUT
 MAX. PANEL THICKNESS 1.7



BLACK	5504614-4
AQUA	5504614-3
BEIGE	5504614-1
COLOR	PART NUMBER

<small>THIS DRAWING IS A CONTROLLED DOCUMENT FOR TYCO ELECTRONICS CORPORATION IT IS SUBJECT TO CHANGE AND THE CONTROLLING ENGINEERING ORGANIZATION SHOULD BE CONTACTED FOR THE LATEST REVISION.</small>		DWN B. BRIGGS 16MAY2005 CHK S. MILLER 16MAY2005 APVD S. BUCHTER 16MAY2005	Tyco Electronics Harrisburg, PA 17105-3608
DIMENSIONS: mm 	TOLERANCES UNLESS OTHERWISE SPECIFIED: 0 PLC ±- 1 PLC ±0.1 2 PLC ±0.05 3 PLC ±- 4 PLC ±- ANGLES ±- FINISH	PRODUCT SPEC - APPLICATION SPEC - WEIGHT -	NAME RECEPTACLE ASSEMBLY, MULTIMODE, AMP SC TO SC SIZE CAGE CODE DRAWING NO RESTRICTED TO A200779 C-5504614 -
MATERIAL ⚠ -		CUSTOMER DRAWING SCALE 5:1 SHEET 1 OF 1 REV C	