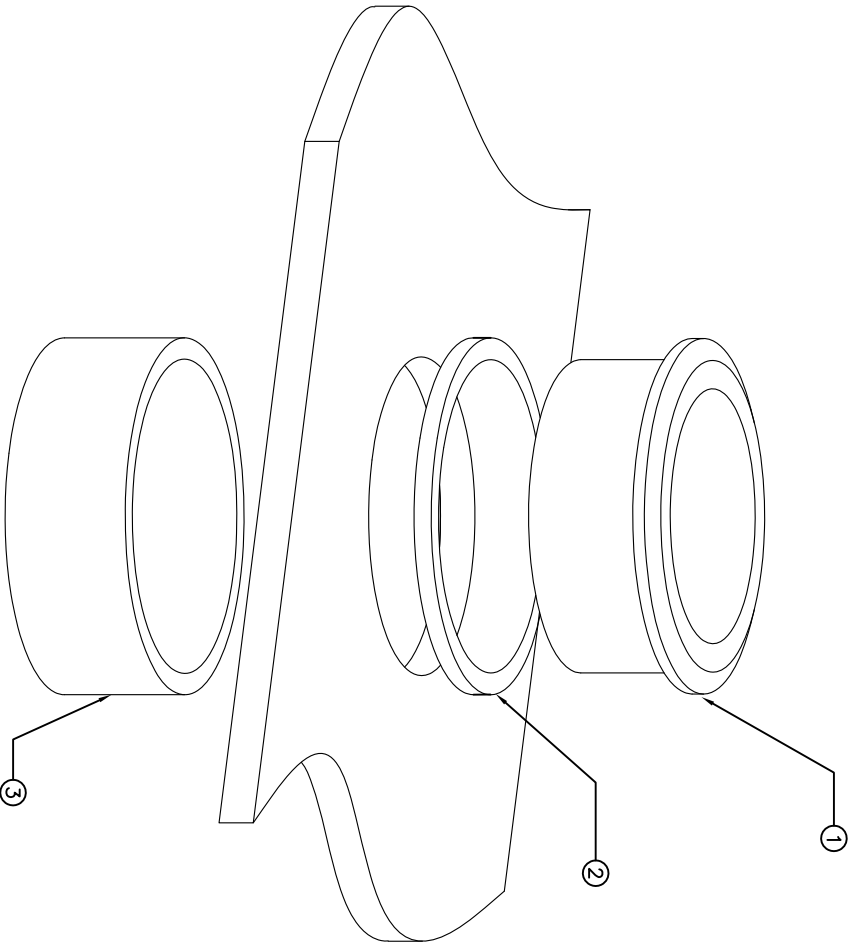


THIS DOCUMENT IS THE PROPERTY OF APEM COMPONENTS AND SHALL NOT BE COPIED, REPRODUCED, DISCLOSED OR USED AS THE BASIS FOR MANUFACTURING OR SALE WITHOUT PERMISSION OF A DULY AUTHORIZED REPRESENTATIVE OF APEM COMPONENTS INC.



HP\*\*  
 COLOR:  
 00= CLEAR ANODIZED  
 02= BLACK ANODIZED  
 03= GREEN ANODIZED  
 06= RED ANODIZED

DATE	SYM	REVISION RECORD	DWNL	CK
3/09	B	ECO# 833	CD	PD

NUMBER	QTY.	DESCRIPTION	PART NUMBER
1	1	RECESSED SWITCH BEZEL	E0139P1
2	1	SEALING GASKET	26-0036
3	1	RECESSED SWITCH COLLAR	E0139P2

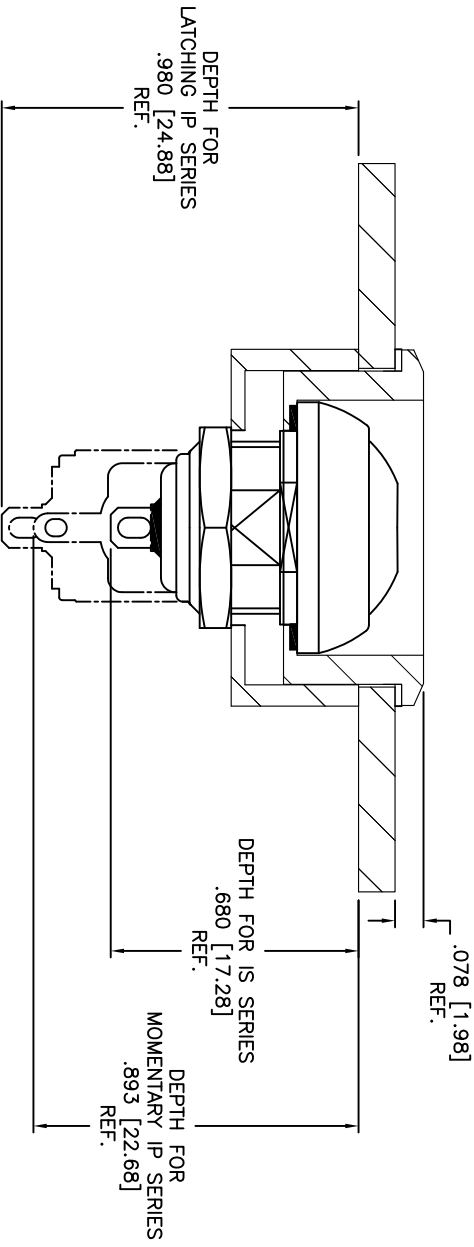
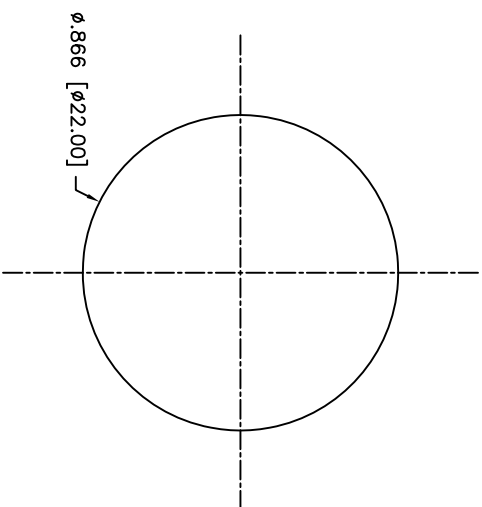
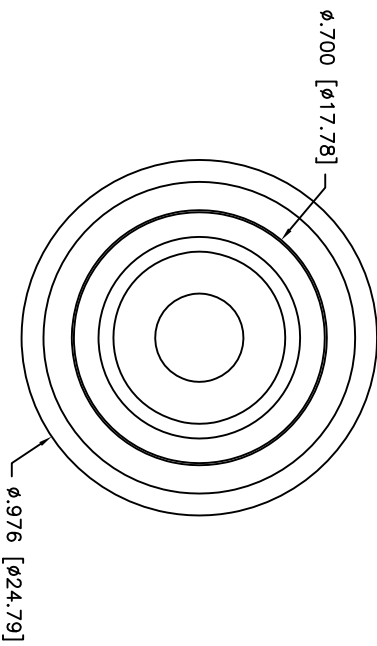
  

<b>Q.A. INSPECT:</b> Δ		<b>APEM</b> <small>APERM COMPONENTS</small>		P.N.: CJD B.R.: PJD
DESIGNATES CRITICAL DIMENSION		63 Neck RD. 01835 Horizontal 372-3534 Form 372-3534	THIRD ANGLE PROJECTION	
TOLERANCES (UNLESS OTHERWISE SPECIFIED) .XX = ±.02(0.5) .XXX = ±.008(0.20) .XXXX = ±.0008(0.02)		INCH SHEET SIZE SCALE 1 OF 2 B 3:1	TITLE RECESSED PUSHBUTTON BEZEL	
ANGLE = 40.5°		DATE: 2/17/09	DRAWING NO. HP**	REV B

1 2 3 4 5 6 7 8

A B C D E

THIS DOCUMENT IS THE PROPERTY OF APEM COMPONENTS AND SHALL NOT BE COPIED, REPRODUCED, DISCLOSED OR USED AS THE BASIS FOR MANUFACTURING OR SALE WITHOUT PERMISSION OF A DULY AUTHORIZED REPRESENTATIVE OF APEM COMPONENTS INC.



NOTE:  
MATERIAL: MACHINED ALUMINIUM

DATE	SYM	REVISION RECORD	DWN.	CK.

<b>Q.A. INSPECT:</b> Δ DESIGNATES CRITICAL DIMENSION				63 Neck Rd. 01835 Holyoke, MA Phone: 413-752-3554		DRN. CJD BR. OR. PJD	
<b>TOLERANCES</b> (UNLESS OTHERWISE SPECIFIED) .XX = ±.02 [0.5] .XXX = ±.008 [0.20] .XXXX = ±.0008 [0.02] ANGLE = 30.5°		TITLE <b>RECESSED PUSHBUTTON BEZEL</b>		SHEET SIZE SCALE 2 OF 2 B 3:1		THIRD ANGLE PROJECTION 	
DO NOT SCALE DIMENSIONS		DATE 2/17/09		DRAWING NO. HP**		REV B	

# Mouser Electronics

Authorized Distributor

Click to View Pricing, Inventory, Delivery & Lifecycle Information:

[Apem:](#)

[HP02](#) [HP00](#)