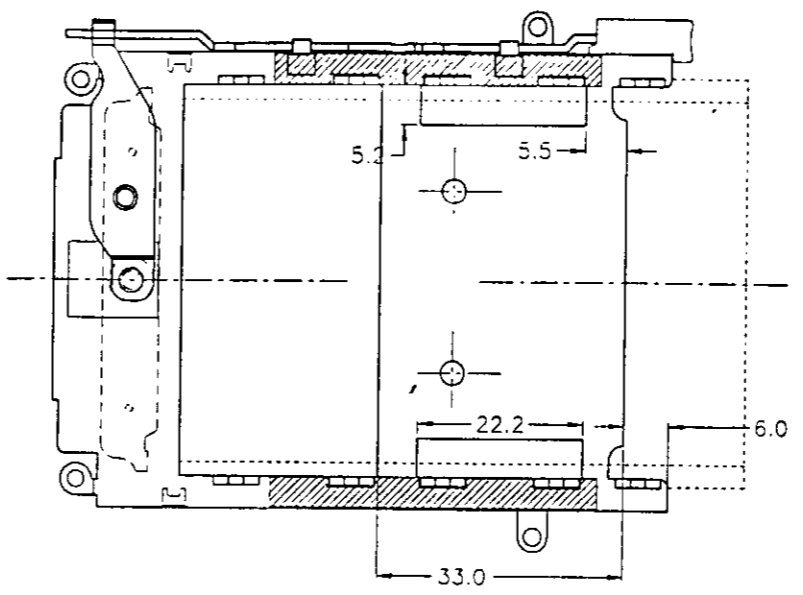
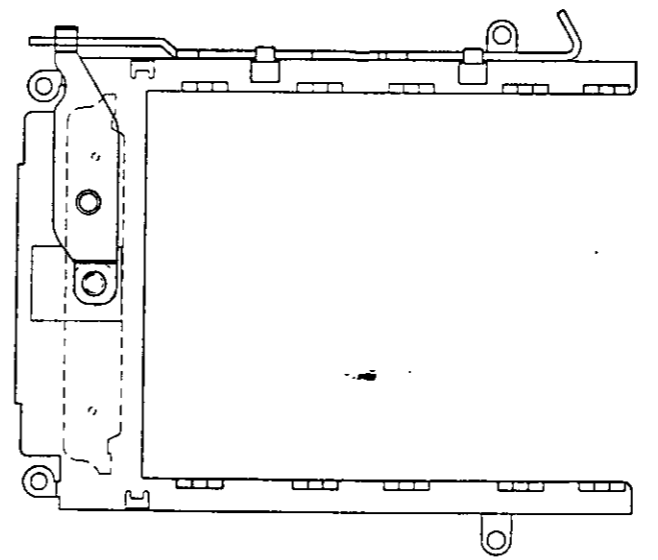


APPLIED FOR 3-11404-X & 4-11404-X SERIES.



APPLIED FOR 2-11404-1.



APPLIED FOR 0-11404-7. $\triangle 10$
WITHOUT KNOB; WITH HOOK; NO PLASTIC GUIDE INSERTED.

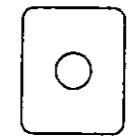


FIG-2

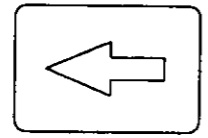
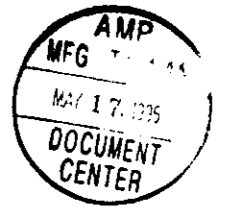


FIG-1

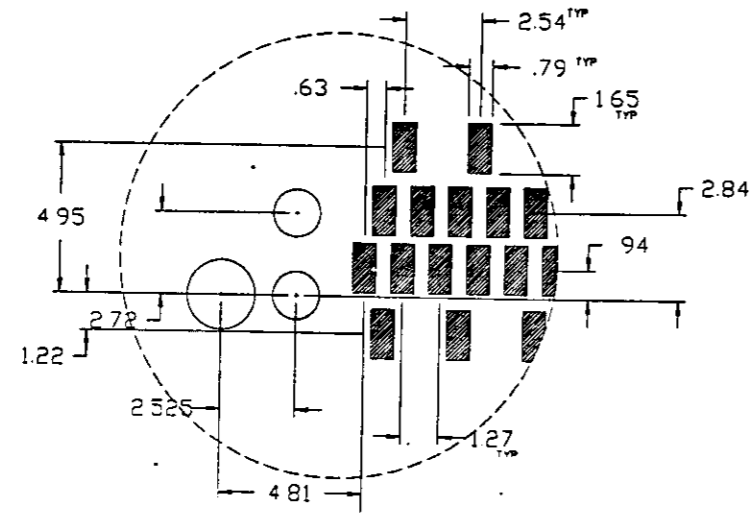
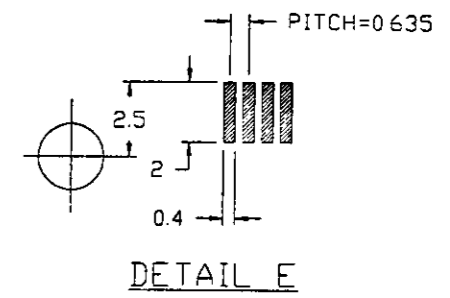
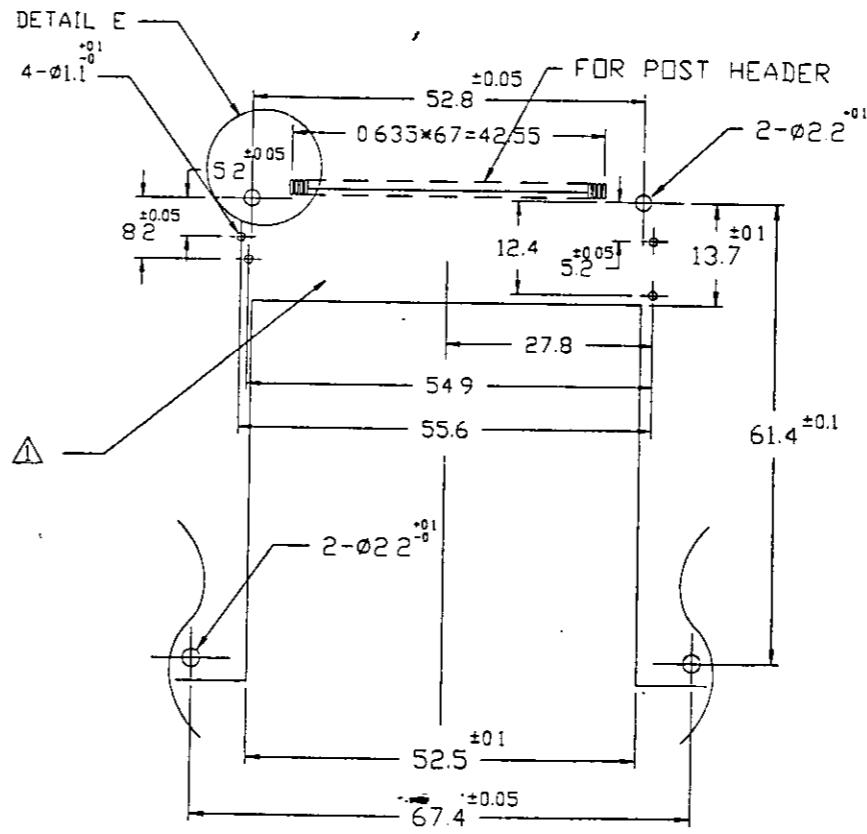
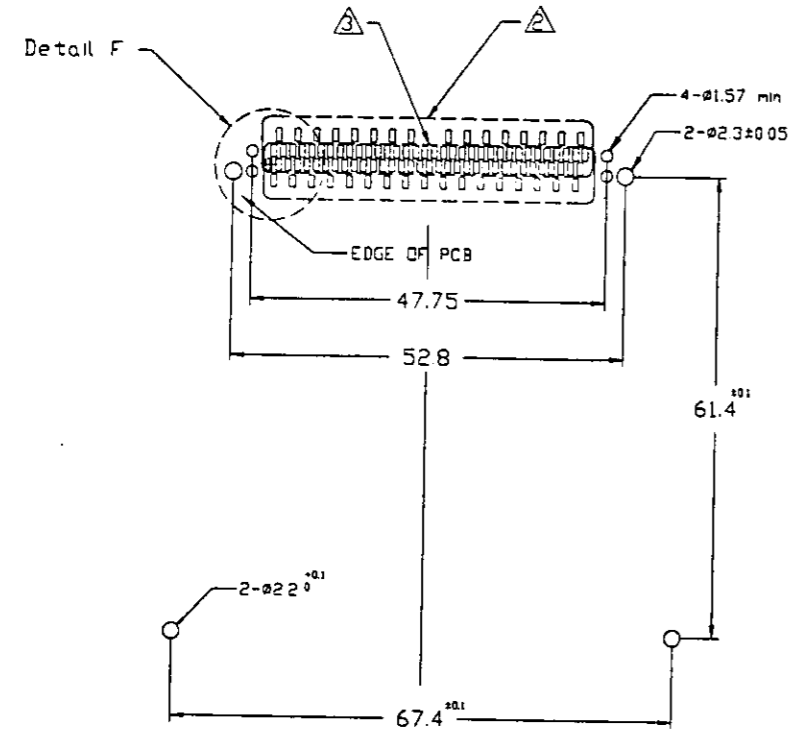


DIMENSIONS IN mm. DO NOT SCALE PRINT.

© 1993 BY AMP MANUFACTURING TAIWAN LTD. ALL RIGHTS RESERVED. PRODUCTS ARE COVERED BY PATENTS AND/OR PATENTS PENDING.				AMP AMP MANUFACTURING TAIWAN LTD.			
				(WIRE RANGE)		(INSULATION DIA.)	
(MATERIAL)		(FINISH)		PCMCIA			
DR. ALBERT YU		RE. JACK CHANG		SINGLE EJECTOR ASSY F KNOB R			
CHK. ROBERT CHEN		APP. JACK CHANG		GENERAL TOLERANCE	SIZE LOC (NO.)		
LTR		REVISION RECORD		DECIMAL: ± 0.5	A3 DW C-11404		
DATE				ANGULAR: ± 2'	(SCALE) REV SHEET		
				1:1	F1 2/3		

(CUSTOMER DRAWING) 2.0628 2.114048

△ FOR JPN PCMCIA HDR, REFER PCB LAYOUT OF C-179034 OR C-179035
 △ FOR USA CARDBUS HDR, REFER PCB LAYOUT OF C-146739-1
 △ FOR USA CARDBUS HDR, REFER PCB LAYOUT OF C-146740-1



AMP
MFG. TAIWAN
MAY 17, 1996
DOCUMENT
CENTER

DIMENSIONS IN mm DO NOT SCALE PRINT.

© 1993 BY AMP MANUFACTURING TAIWAN LTD. ALL RIGHTS RESERVED. PRODUCTS ARE COVERED BY PATENTS AND/OR PATENTS PENDING.				AMP AMP MANUFACTURING TAIWAN LTD	
DR. RE.		GENERAL TOLERANCE SIZE LDC (QTY) DECIMAL: ± 0.5 A3 DW C-11404			
LTR. REVISION RECORD DR. CHK. DATE		(SCALE) (REV) SHEET 1:1 F1 3/3			
(CUSTOMER DRAWING) 3 OF 3 C11404C					

SEE 1ST PAGE

Mouser Electronics

Authorized Distributor

Click to View Pricing, Inventory, Delivery & Lifecycle Information:

[TE Connectivity:](#)

[4-11404-2](#)