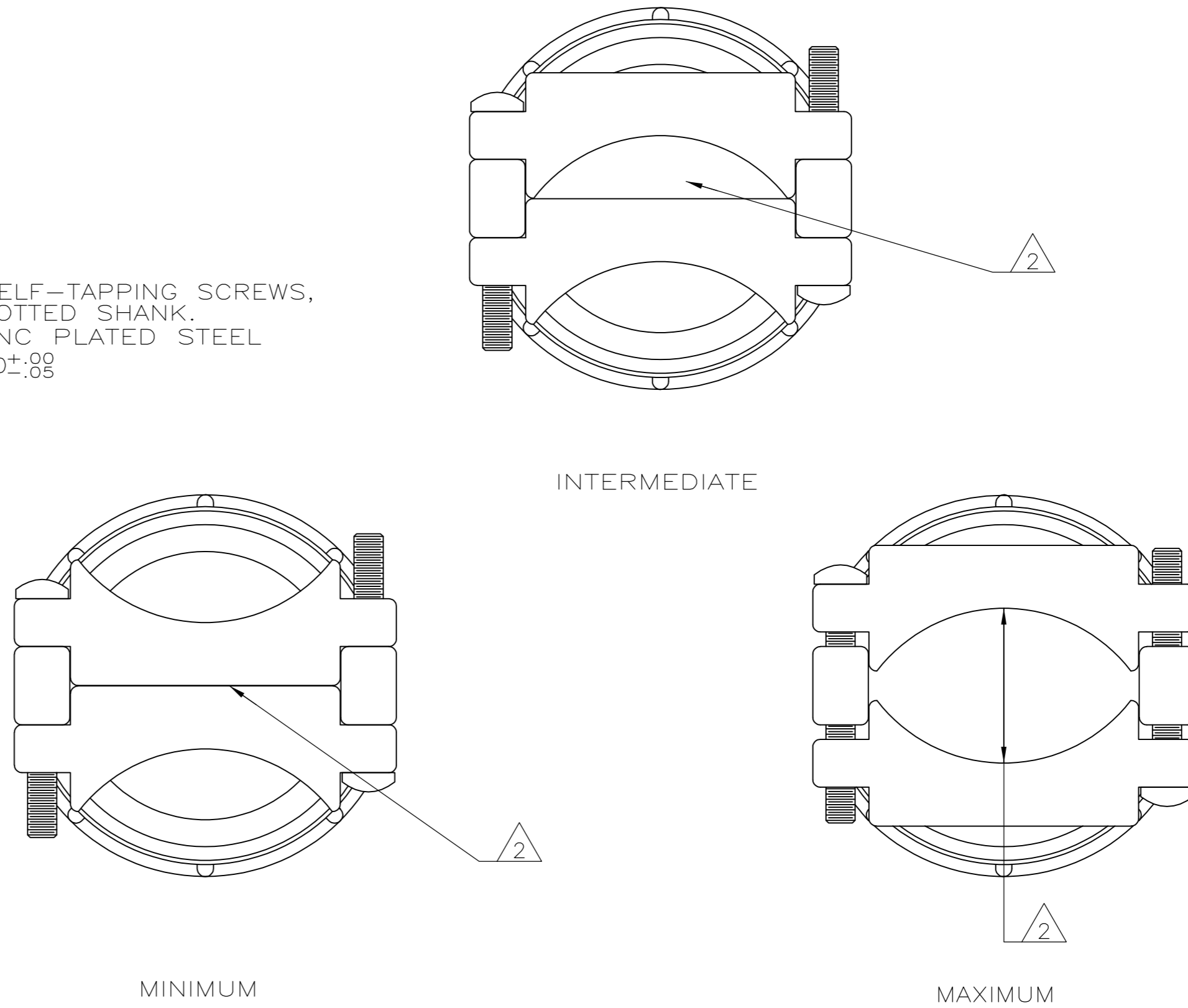
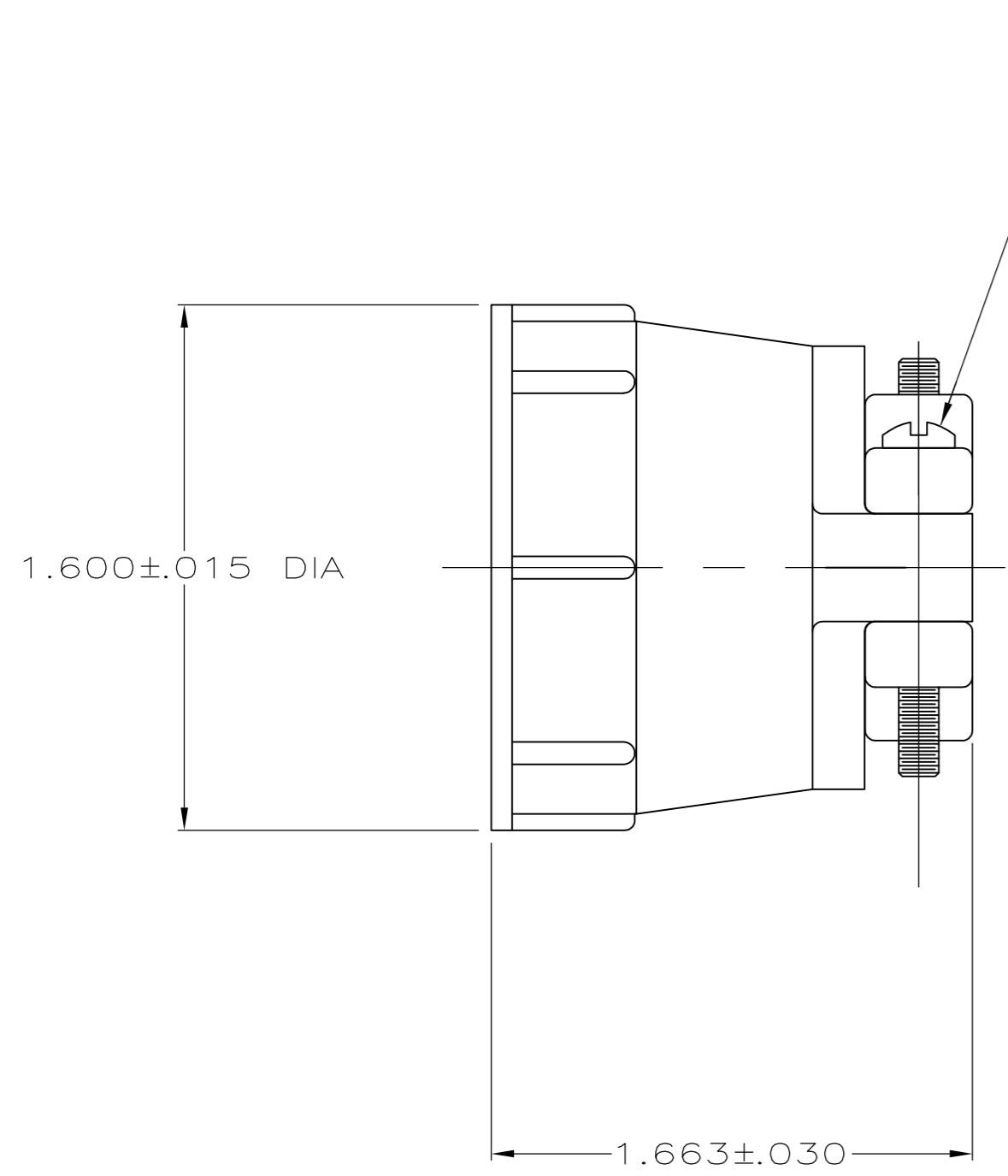


THIS DRAWING IS UNPUBLISHED. RELEASED FOR PUBLICATION  
 © COPYRIGHT - By - ALL RIGHTS RESERVED.

LOC	DIST	REVISIONS			
P	LTR	DESCRIPTION	DATE	DWN	APVD
BD	0	E1	REVISED PER ECO-11-004820	11MAR11	RK HMR



- 1 PARTS PACKAGED UNASSEMBLED.
- 2 CABLE CLAMPING AREA ADJUSTABLE FROM .000 TO .652 SQ IN, MAX CABLE DIA = 1.125 INCHES. TWO CLAMPING INSERTS SUPPLIED WITH ASSEMBLY, CLAMPING SREA DETERMINED BY POSITION OF INSERTS AS SHOWN AT RIGHT.
- 3 BULK PACKAGED KITS TO BE ORDERED IN MULTIPLES OF 250 ONLY.
- 4 SCREWS NON-HEXAVALENT CHROMATE COATED.

4	3	BULK	207774-4
4		INDIVIDUAL	207774-3
4	3	BULK	207774-2
4		INDIVIDUAL	207774-1
		PACKAGING	PART NUMBER

THIS DRAWING IS A CONTROLLED DOCUMENT.		DWN	4-3-91			
		CHK	7-23-92			
		A.STAUB BG		W.G.LENKER		<b>CABLE CLAMP KIT, SELF CENTERING, SHELL SIZE 23, CPC</b>
		W.G.LENKER		NAME		
		APVD		-		SIZE CAGE CODE DRAWING NO <b>A2 00779 C-207774</b>
		PRODUCT SPEC		108-10024		
		APPLICATION SPEC		-		RESTRICTED TO -
		MATERIAL		THERMOPLASTIC		
		FINISH		-		SCALE 2:1 SHEET 1 of 1 REV E1
		WEIGHT		-		CUSTOMER DRAWING

# Mouser Electronics

Authorized Distributor

Click to View Pricing, Inventory, Delivery & Lifecycle Information:

[TE Connectivity:](#)

[207774-3](#)