

THIS DRAWING IS UNPUBLISHED.

RELEASED FOR PUBLICATION

20

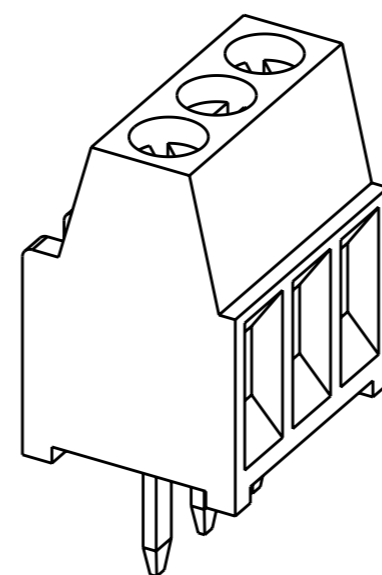
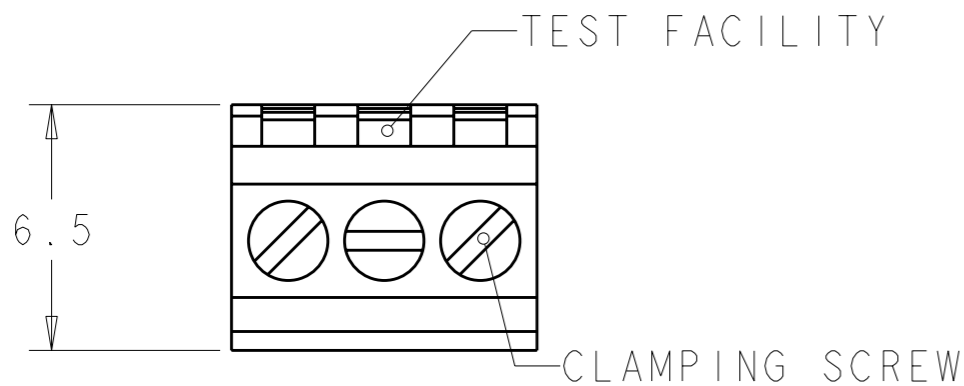
© COPYRIGHT 20

ALL RIGHTS RESERVED.

LOC FT DIST 0

REVISIONS

P	LTR	DESCRIPTION	DATE	DWN	APVD
	CI	REVISED PER ECO-11-007905	15APR2011	HMR	CR



282834-3 AS SHOWN

1 MATERIALS AND FINISH
 HOUSING: PA 6-6, UL 94-V0, COLOR GREEN.
 CLAMP: BRASS, NICKEL PLATED.
 TERMINAL: BRASS, TIN PLATED.
 CLAMPING SCREW: M1.6, STAINLESS STEEL.

2 SUITABLE FOR 1,6-2,4mm PC BOARD THICKNESS.

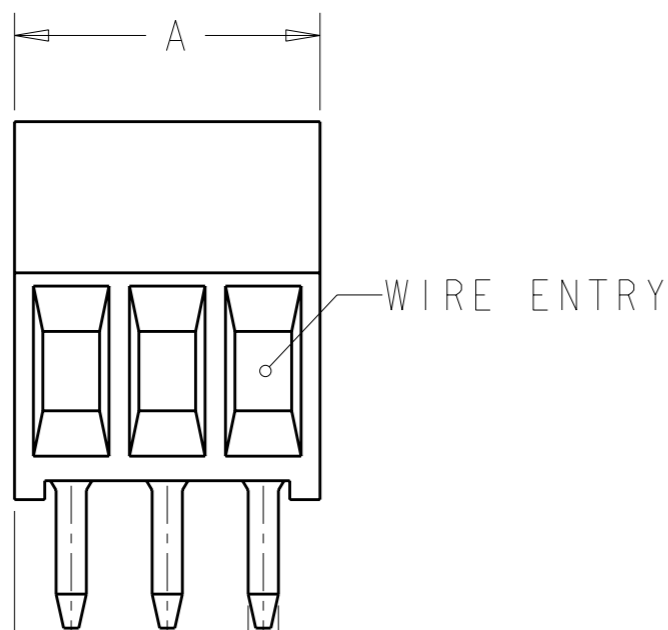
3 CONNECTION POWER
 SOLID WIRE: 0,03-1mm (17AWG).
 STRANDED WIRE: 0,03-0,75mm (18AWG)₂

4 RECOGNIZED UNDER THE COMPONENT PROGRAM OF UNDERWRITERS LABORATORIES INC. FILE N° E60677.

5 POSSIBILITY TO PUT TWO OR THREE TERMINAL BLOCKS SIDE BY SIDE BY INCREASING THE DIAMETER OF THE PCB HOLES TO MINIMUM 1,3mm.

6 NOT CUMULATIVE TOLERANCE.

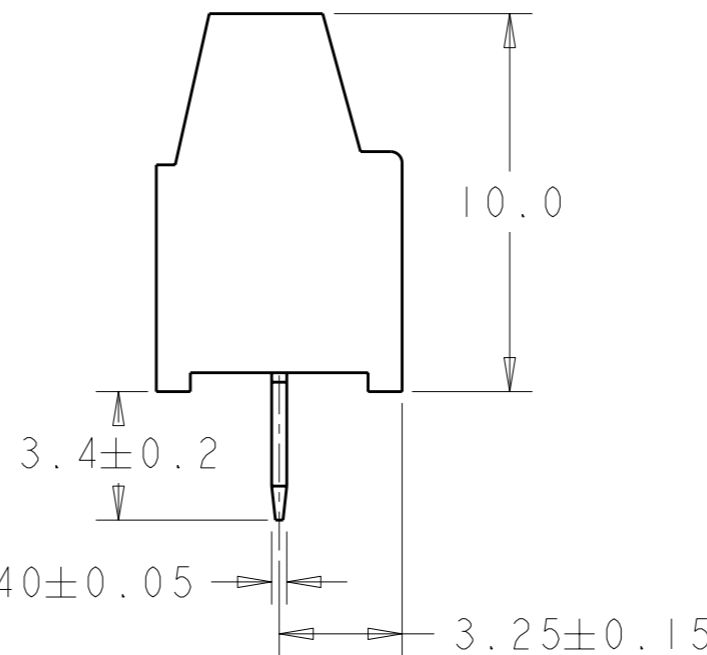
7 TORQUE: 1.73 in-lbs MAX



1.5 REF

6 2.54±0.05

0.80±0.05

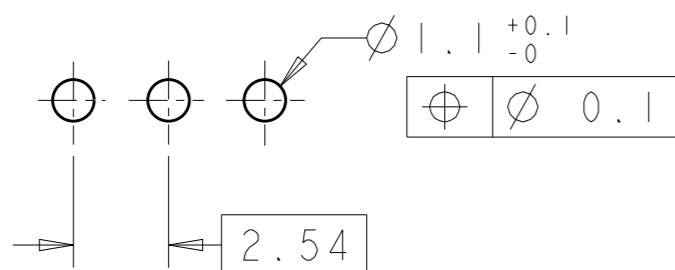


0.40±0.05

3.25±0.15

30.94	12	1-282834-2
28.40	11	1-282834-1
25.86	10	1-282834-0
23.32	9	282834-9
20.78	8	282834-8
18.24	7	282834-7
15.70	6	282834-6
13.16	5	282834-5
10.62	4	282834-4
8.08	3	282834-3
5.54	2	282834-2
DIM. A	N° OF POS.	PART NUMBER

RECOMMENDED PC BOARD LAYOUT



THIS DRAWING IS A CONTROLLED DOCUMENT.		DWN E. ZANOLINI 15AUG2001		TE Connectivity	
DIMENSIONS: mm		CHK D. BIEVENOUR 15AUG2001			
TOLERANCES UNLESS OTHERWISE SPECIFIED:		APVD D. BIEVENOUR 15AUG2001		NAME	
0 PLC ±-		PRODUCT SPEC		TERMINAL BLOCK PCB MOUNT SIDE WIRE ENTRY STACKING 2.54mm PITCH	
1 PLC ±.3		108-20166			
2 PLC ±.25		APPLICATION SPEC		SIZE	
3 PLC ±-		114-20079		CAGE CODE	
4 PLC ±-		WEIGHT		DRAWING NO	
ANGLES ±2		-		A300779	
MATERIAL		FINISH		C-282834	
1		1		RESTRICTED TO	
CUSTOMER DRAWING				SCALE 5:1	
				SHEET 1 OF 1	
				REV CI	

Mouser Electronics

Authorized Distributor

Click to View Pricing, Inventory, Delivery & Lifecycle Information:

[TE Connectivity:](#)

[282834-2](#)