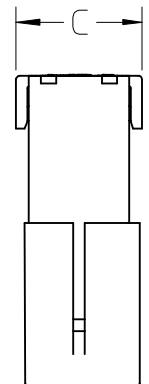


MATERIAL NUMBER	CKT SIZE	INSULATION DIA (MM)	SEAL COLOR	DIM A	DIM C
46065-0032	2	2.52 / 2.81	ORANGE	14.4	16.7
46065-0033 *	3	2.52 / 2.81	ORANGE	18.6	20.9
46065-0034 *	4	2.52 / 2.81	ORANGE	22.8	25.1

* = NOT TOOLED



NOTES:

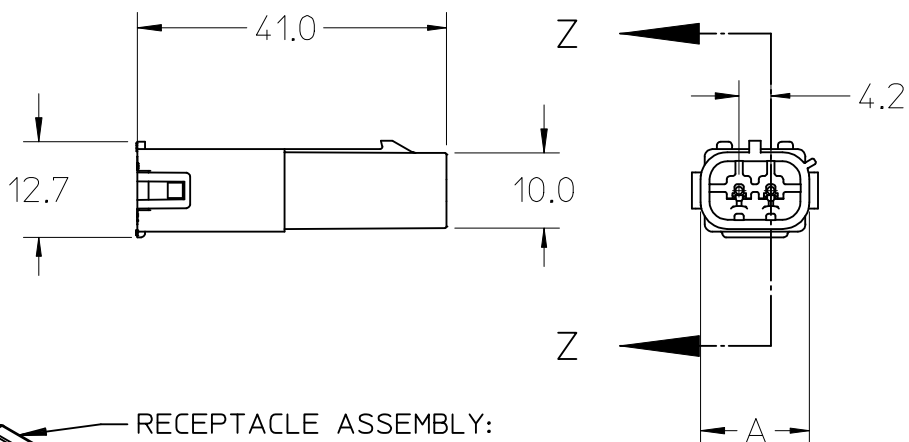
1. MATERIALS: PLUG HOUSING= POLYESTER: BLACK.
SEALS: SILICONE RUBBER - SEE CHART.
COVER: POLYESTER: BLACK
2. PRODUCT SPECIFICATION: PS-46064-001.
3. PACKAGING SPECIFICATION: PK-46065-001.
4. THIS ASSEMBLY ACCEPTS CRIMP TERMINALS:
46056-0002 (TIN)
46056-0003 (SELECTIVE GOLD)
5. SEE SHEET TWO FOR TERMINAL ORIENTATION.
6. MATES WITH RECEPTACLE ASSEMBLY NUMBER 46064-*

CRIMP ORIENTATION SYMBOL

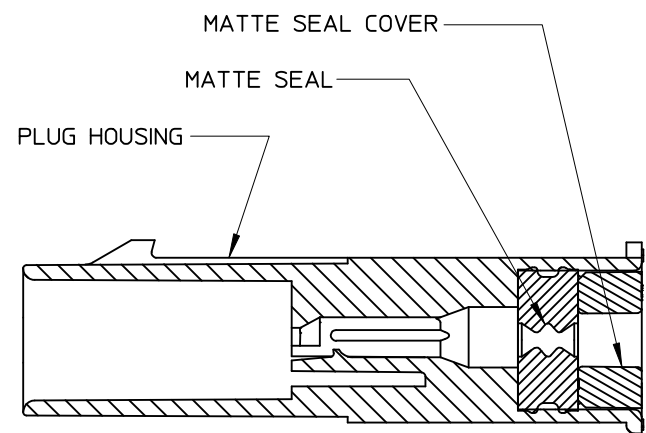
SEE SHEET 2



CIRCUIT NO. 1 IDENTIFICATION

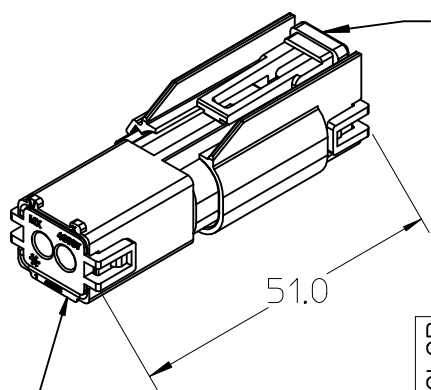


RECEPTACLE ASSEMBLY:
46064-*



SECTION Z-Z

SCALE 2:1



PLUG ASSEMBLY:
46065-*

MATED ASSEMBLIES

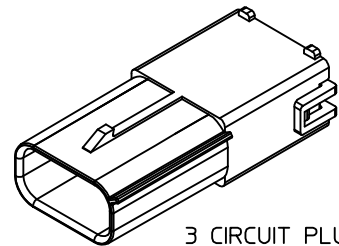
UPDATE SEAL COLOR EC NO: UCP2013-5066 DRWN: NGUYEN 2013/05/24 CHKD: JBELL 2013/05/24 APPR: FSM/TH 2013/07/09	QUALITY SYMBOLS ▽=0 ▽=0 ▽=0	DESCRIPTION	GENERAL TOLERANCES (UNLESS SPECIFIED)		DIMENSION STYLE		SCALE	DESIGN UNITS	THIRD ANGLE PROJECTION	
					MM ONLY		1:1	METRIC		
					mm	INCH	DRAWN BY	DATE	TITLE	
					4 PLACES	± ---	± ---	BBWILSON	SEALED MINIFIT H2O PLUG ASSEMBLY	
					3 PLACES	± ---	± ---	CHECKED BY	DATE	
		2 PLACES	± 0.25	± ---	APPROVED BY		DATE			
		1 PLACE	± 0.38	± ---	MATERIAL NO.		DOCUMENT NO.			
		0 PLACE	±	±	SEE CHART		SD-46065-001			
		ANGULAR ± 1/2°		DRAFT WHERE APPLICABLE MUST REMAIN WITHIN DIMENSIONS		SHEET NO.		1 OF 2		
E2	REV	THIS DRAWING CONTAINS INFORMATION THAT IS PROPRIETARY TO MOLEX INCORPORATED AND SHOULD NOT BE USED WITHOUT WRITTEN PERMISSION								

CRIMP ORIENTATION SYMBOL
SEE DETAIL1

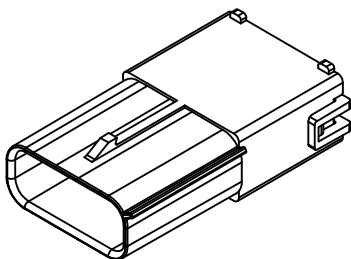
MATTE SEAL

MATTE SEAL COVER

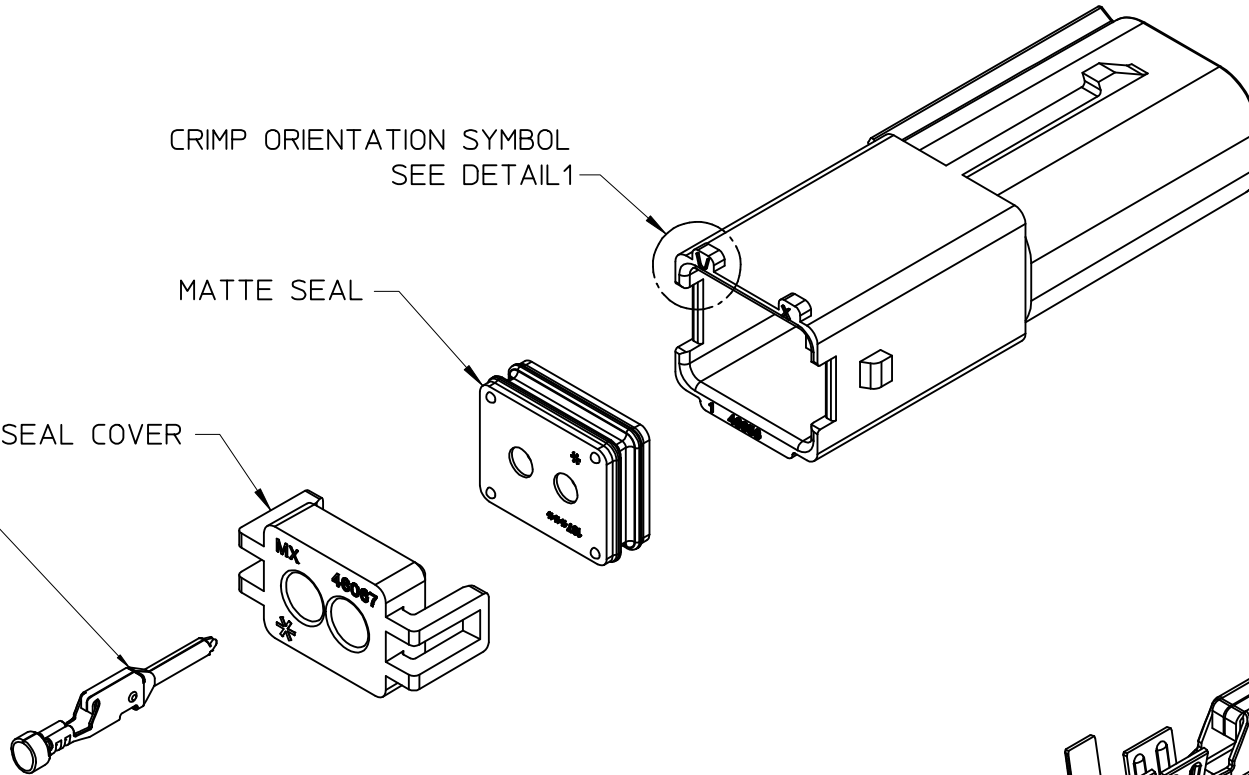
PLUG TERMINAL
46056



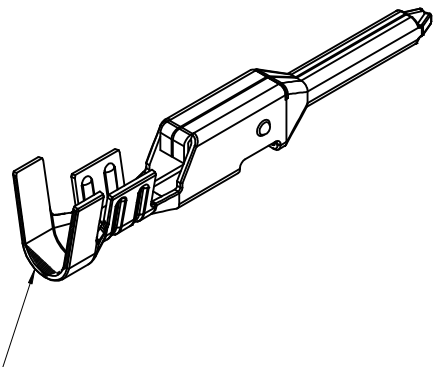
3 CIRCUIT PLUG ASSY.



4 CIRCUIT PLUG ASSY.



DETAIL1
SCALE 4:1

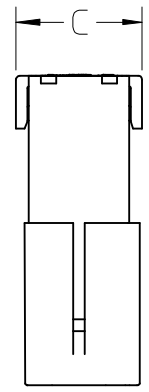


TERMINALS TO BE INSERTED INTO
HOUSING WITH THE CRIMP SECTION
MATCHING THE CRIMP ORIENTATION
SYMBOL ON THE HOUSING.

SEE SHEET 1 EC NO: UCP2013-5066 DRWN:NGUYEN 2013/05/24 CHKD:JBELL 2013/05/24 APPR:FSM:TH 2013/07/09	QUALITY SYMBOLS ▽=0 ▽=0 ▽=0	GENERAL TOLERANCES (UNLESS SPECIFIED)		DIMENSION STYLE MM ONLY		SCALE 1:1	DESIGN UNITS METRIC	THIRD ANGLE PROJECTION	
			mm	INCH	DRAWN BY BBWILSON	DATE	TITLE SEALED MINIFIT H20 PLUG ASSEMBLY		
		4 PLACES	± ---	± ---	CHECKED BY	DATE	molex		
		3 PLACES	± ---	± ---	APPROVED BY	DATE			
		2 PLACES	± 0.25	± ---	MATERIAL NO.		DOCUMENT NO.	SHEET NO.	
1 PLACE	± 0.38	± ---	SEE CHART		SD-46065-001	2 OF 2			
0 PLACE	±	±	DRAFT WHERE APPLICABLE MUST REMAIN WITHIN DIMENSIONS		THIS DRAWING CONTAINS INFORMATION THAT IS PROPRIETARY TO MOLEX INCORPORATED AND SHOULD NOT BE USED WITHOUT WRITTEN PERMISSION				

MATERIAL NUMBER	CKT SIZE	INSULATION DIA (MM)	SEAL COLOR	DIM A	DIM C
46065-0032	2	2.52 / 2.81	ORANGE	14.4	16.7
46065-0033 *	3	2.52 / 2.81	ORANGE	18.6	20.9
46065-0034 *	4	2.52 / 2.81	ORANGE	22.8	25.1

* = NOT TOOLED



NOTES:

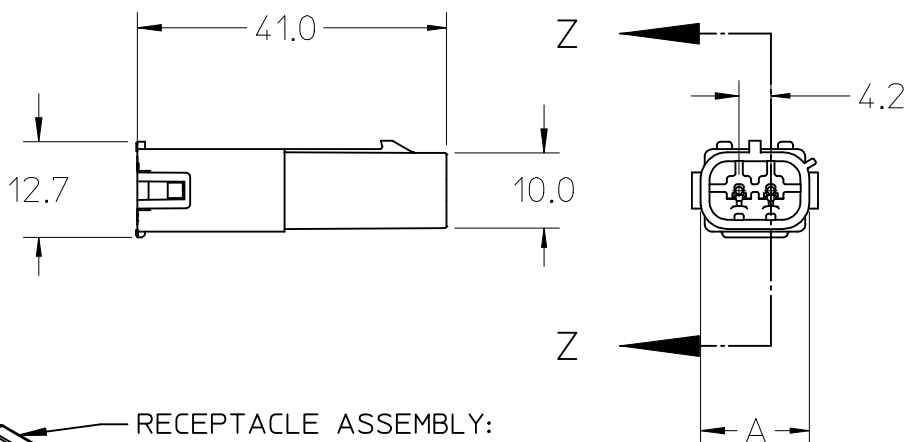
1. MATERIALS: PLUG HOUSING= POLYESTER: BLACK.
SEALS: SILICONE RUBBER - SEE CHART.
COVER: POLYESTER: BLACK
2. PRODUCT SPECIFICATION: PS-46064-001.
3. PACKAGING SPECIFICATION: PK-46065-001.
4. THIS ASSEMBLY ACCEPTS CRIMP TERMINALS:
46056-0002 (TIN)
46056-0003 (SELECTIVE GOLD)
5. SEE SHEET TWO FOR TERMINAL ORIENTATION.
6. MATES WITH RECEPTACLE ASSEMBLY NUMBER 46064-.*.

CRIMP ORIENTATION SYMBOL

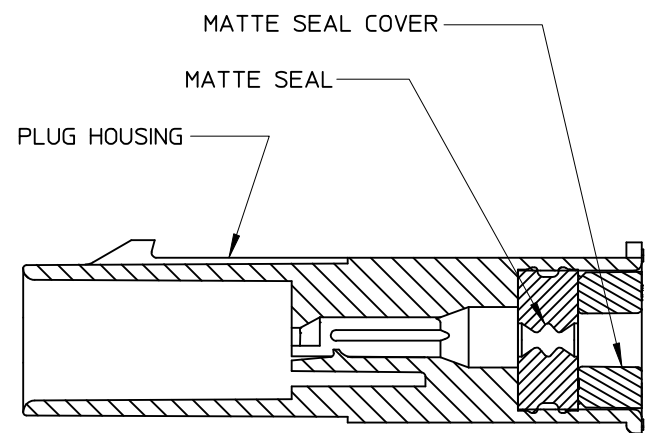
SEE SHEET 2



CIRCUIT NO. 1 IDENTIFICATION

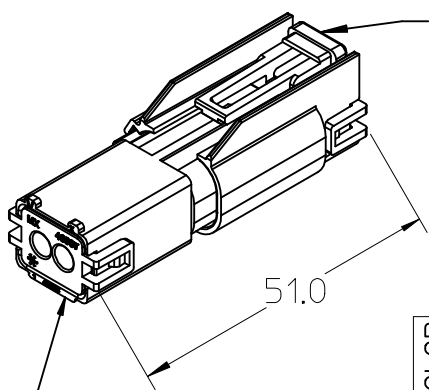


RECEPTACLE ASSEMBLY:
46064-.*



SECTION Z-Z

SCALE 2:1



PLUG ASSEMBLY:
46065-.*

MATED ASSEMBLIES

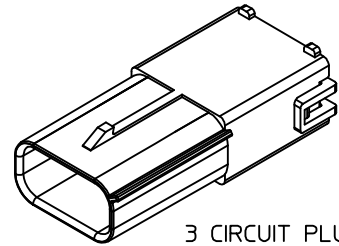
UPDATE SEAL COLOR EC NO: UCP2013-5066 DRWN: NGUYEN 2013/05/24 CHKD: JBELL 2013/05/24 APPR: FSM/TH 2013/07/09	QUALITY SYMBOLS ▽=0 ▽=0 ▽=0	DESCRIPTION	GENERAL TOLERANCES (UNLESS SPECIFIED)		DIMENSION STYLE		SCALE	DESIGN UNITS	THIRD ANGLE PROJECTION	
					MM ONLY		1:1	METRIC		
					DRAWN BY DATE		TITLE		SEALED MINIFIT H20 PLUG ASSEMBLY	
					BBWILSON					
		CHECKED BY DATE		APPROVED BY DATE		MATERIAL NO.		DOCUMENT NO.	SHEET NO.	
		ANGULAR ±1/2°		SEE CHART		SD-46065-001		1 OF 2		
		DRAFT WHERE APPLICABLE MUST REMAIN WITHIN DIMENSIONS		SIZE A		THIS DRAWING CONTAINS INFORMATION THAT IS PROPRIETARY TO MOLEX INCORPORATED AND SHOULD NOT BE USED WITHOUT WRITTEN PERMISSION				
E2	REV									

CRIMP ORIENTATION SYMBOL
SEE DETAIL1

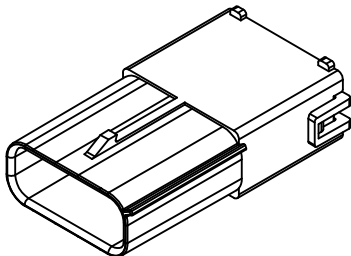
MATTE SEAL

MATTE SEAL COVER

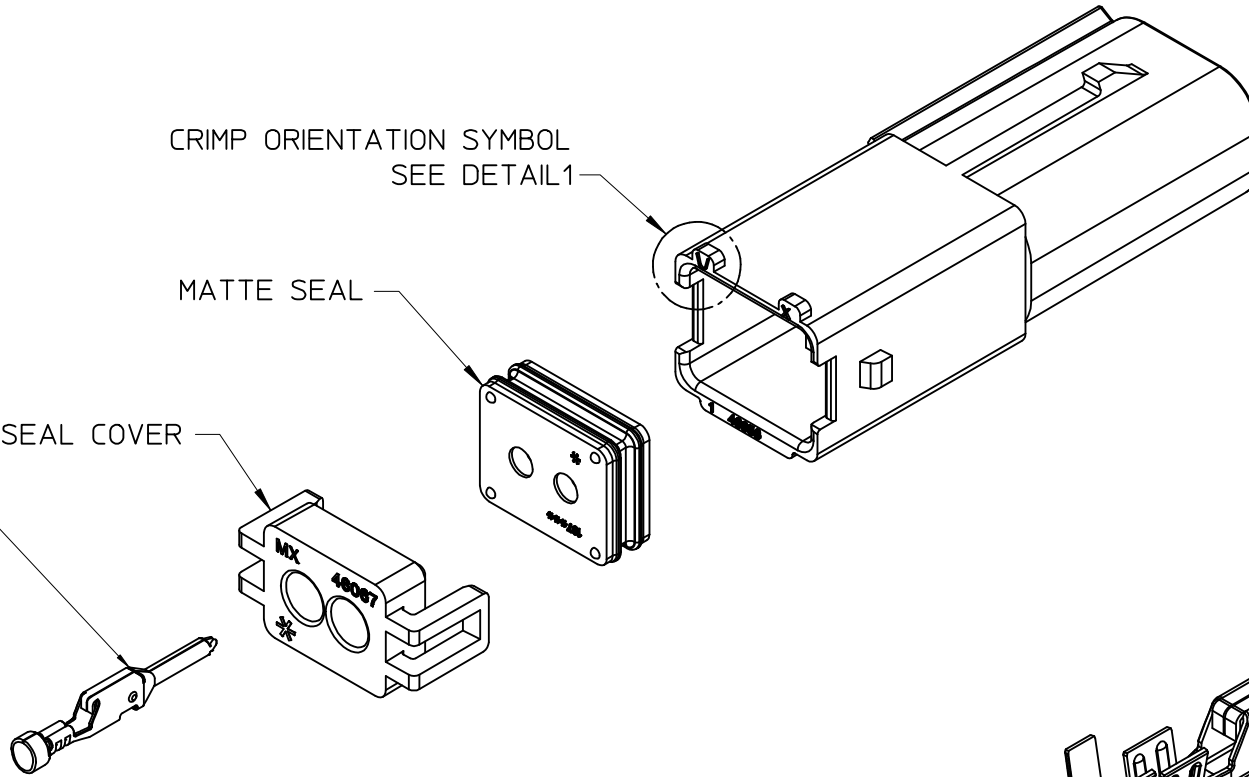
PLUG TERMINAL
46056



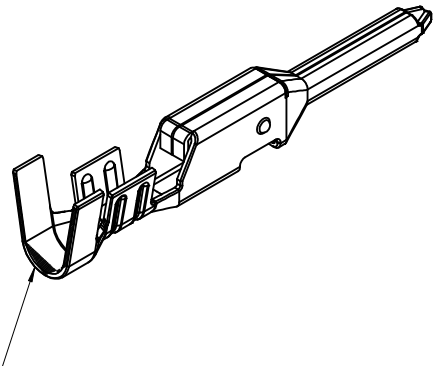
3 CIRCUIT PLUG ASSY.



4 CIRCUIT PLUG ASSY.



DETAIL1
SCALE 4:1



TERMINALS TO BE INSERTED INTO
HOUSING WITH THE CRIMP SECTION
MATCHING THE CRIMP ORIENTATION
SYMBOL ON THE HOUSING.

SEE SHEET 1 EC NO: UCP2013-5066 DRWN:NGUYEN 2013/05/24 CHKD:JBELL 2013/05/24 APPR:FSM:TH 2013/07/09	QUALITY SYMBOLS ▽=0 ▽=0 ▽=0	GENERAL TOLERANCES (UNLESS SPECIFIED)		DIMENSION STYLE MM ONLY		SCALE 1:1	DESIGN UNITS METRIC	THIRD ANGLE PROJECTION		
			mm	INCH	DRAWN BY BBWILSON	DATE	TITLE SEALED MINIFIT H20 PLUG ASSEMBLY			
		4 PLACES	± ---	± ---	CHECKED BY	DATE	molex			
		3 PLACES	± ---	± ---	APPROVED BY	DATE				
		2 PLACES	± 0.25	± ---	MATERIAL NO.		DOCUMENT NO.	SHEET NO.		
1 PLACE	± 0.38	± ---	SEE CHART		SD-46065-001	2 OF 2				
0 PLACE	±	±	DRAFT WHERE APPLICABLE MUST REMAIN WITHIN DIMENSIONS							
E2	REV	ANGULAR ±1/2°		THIS DRAWING CONTAINS INFORMATION THAT IS PROPRIETARY TO MOLEX INCORPORATED AND SHOULD NOT BE USED WITHOUT WRITTEN PERMISSION						