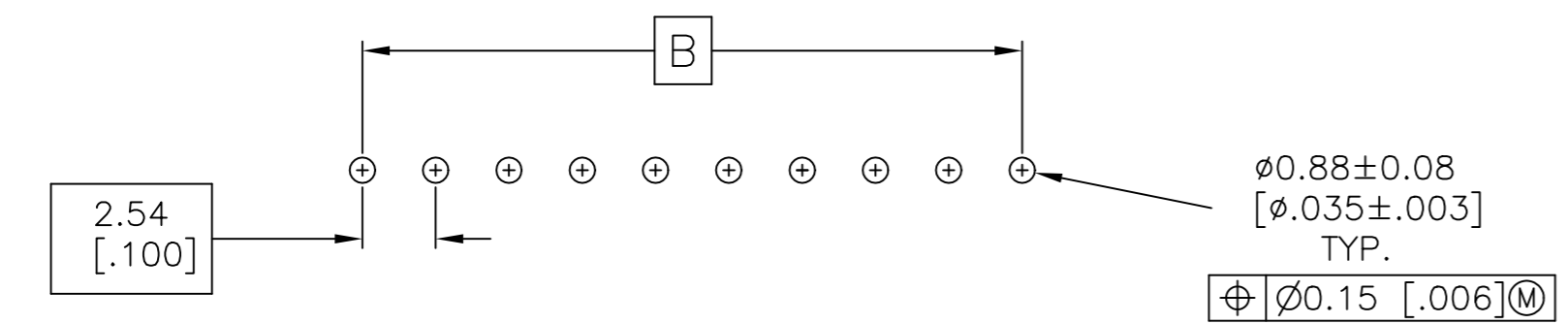
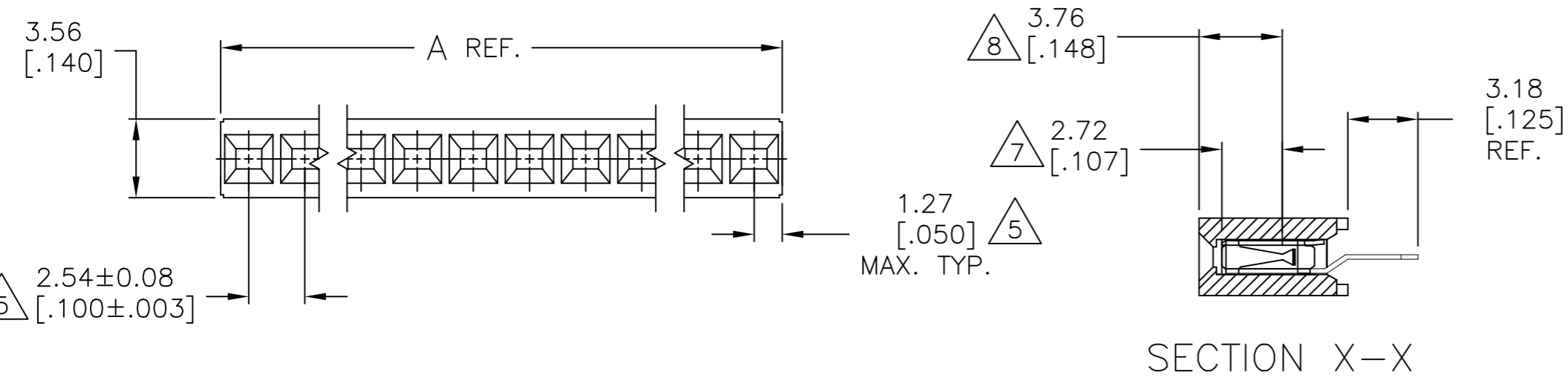
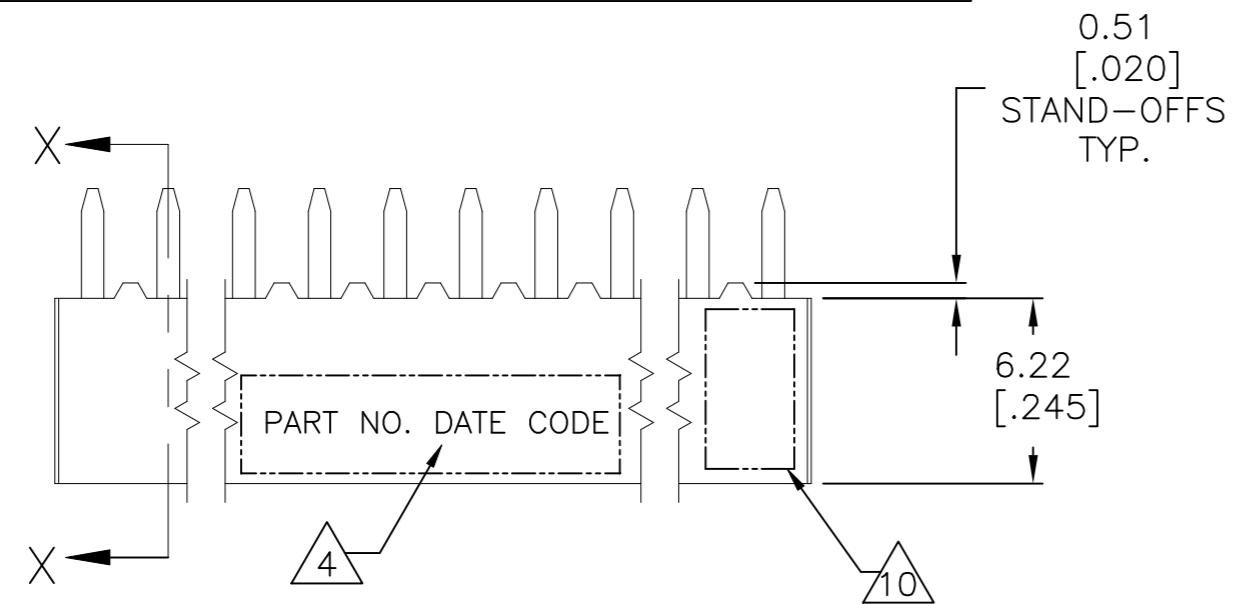


THIS DRAWING IS UNPUBLISHED.
 RELEASED FOR PUBLICATION
 ALL RIGHTS RESERVED.

REVISIONS					
P	LTR	DESCRIPTION	DATE	DWN	APVD
	L6	ECR-16-016231	12JAN2018	SD	PS



OBSOLETE	2.54 [.100]	5.08 [.200]	2	2	6	9	3-146138-9
	96.52 [3.800]	99.06 [3.900]	39	2	2	2	3-146138-8
	93.98 [3.700]	96.52 [3.800]	38	2	2	2	3-146138-7
	91.44 [3.600]	93.98 [3.700]	37	2	2	2	3-146138-6
	88.90 [3.500]	91.44 [3.600]	36	2	2	2	3-146138-5
	86.36 [3.400]	88.90 [3.500]	35	2	2	2	3-146138-4
	83.82 [3.300]	86.36 [3.400]	34	2	2	2	3-146138-3
	81.28 [3.200]	83.82 [3.300]	33	2	2	2	3-146138-2
	78.74 [3.100]	81.28 [3.200]	32	2	2	2	3-146138-1
	71.12 [2.800]	73.66 [2.900]	29	2	2	2	3-146138-0
	68.58 [2.700]	71.12 [2.800]	28	2	2	2	2-146138-9
	66.04 [2.600]	68.58 [2.700]	27	2	2	2	2-146138-8
	63.50 [2.500]	66.04 [2.600]	26	2	2	2	2-146138-7
	60.96 [2.400]	63.50 [2.500]	25	2	2	2	2-146138-6
	58.42 [2.300]	60.96 [2.400]	24	2	2	2	2-146138-5
	55.88 [2.200]	58.42 [2.300]	23	2	2	2	2-146138-4
	53.34 [2.100]	55.88 [2.200]	22	2	2	2	2-146138-3
	50.80 [2.000]	53.34 [2.100]	21	2	2	2	2-146138-2
OBSOLETE	76.20 [3.000]	78.74 [3.100]	31	2	2	2	2-146138-1
	99.06 [3.900]	101.60 [4.000]	40	2	2	2	2-146138-0
	73.66 [2.900]	76.20 [3.000]	30	2	2	2	1-146138-9
	48.26 [1.900]	50.80 [2.000]	20	2	2	2	1-146138-8
	45.72 [1.800]	48.26 [1.900]	19	2	2	2	1-146138-7
	43.18 [1.700]	45.72 [1.800]	18	2	2	2	1-146138-6
	40.64 [1.600]	43.18 [1.700]	17	2	2	2	1-146138-5
	38.10 [1.500]	40.64 [1.600]	16	2	2	2	1-146138-4
	35.56 [1.400]	38.10 [1.500]	15	2	2	2	1-146138-3
	33.02 [1.300]	35.56 [1.400]	14	2	2	2	1-146138-2
	30.48 [1.200]	33.02 [1.300]	13	2	2	2	1-146138-1
	27.94 [1.100]	30.48 [1.200]	12	2	2	2	1-146138-0
	25.40 [1.000]	27.94 [1.100]	11	2	2	2	146138-9
	22.86 [.900]	25.40 [1.000]	10	2	2	2	146138-8
	20.32 [.800]	22.86 [.900]	9	2	2	2	146138-7
	17.78 [.700]	20.32 [.800]	8	2	2	2	146138-6
	15.24 [.600]	17.78 [.700]	7	2	2	2	146138-5
	12.70 [.500]	15.24 [.600]	6	2	2	2	146138-4
	10.16 [.400]	12.70 [.500]	5	2	2	2	146138-3
	7.62 [.300]	10.16 [.400]	4	2	2	2	146138-2
	5.08 [.200]	7.62 [.300]	3	2	2	2	146138-1

- 1 HOUSING: FLAME RETARDANT, GLASS FILLED, POLYESTER, COLOR: BLACK. CONTACT: PHOSPHOR BRONZE
- 2 CONTACT: DUPLEX PLATED 0.25µm[.000010] MIN GOLD IN CONTACT AREA, 3.81-7.62µm[.000150-.000300] BRIGHT TIN-LEAD ON LEADS ALL OVER 1.27µm[.000050] NICKEL
- 3 THESE DIMENSIONS PERTAIN TO CAVITY CENTERLINES ONLY - NOT TO CONTACT LOCATIONS
- 4 MARK PART NUMBER AND DATE CODE IN APPROXIMATE LOCATION SHOWN, EITHER SIDE.
- 5 TOLERANCE IS NON-CUMULATIVE.
- 6 2 POSITION DATE CODE IS MARKED OPPOSITE SIDE OF TE CONNECTIVITY LOGO.
- 7 POINT-OF-MEASUREMENT DIMENSION FOR PLATING THICKNESS (INSIDE CONTACT BEAM).
- 8 POINT-OF-CONTACT DIMENSION.
- 9 NO PART NUMBER MARKING REQUIRED FOR THIS PART.
- 10 TE CONNECTIVITY LOGO AND CSA LOGO ARE MOLDED INTO HOUSING.
- 11 CONTACT: DUPLEX PLATED 0.25µm[.000010] MIN GOLD IN CONTACT AREA, 3.81-7.62µm[.000150-.000300] MATTE TIN ON LEADS, ALL OVER 1.27µm[.000050] MIN. NICKEL.
- 12 ROHS 2002/95/EC COMPLIANT

THIS DRAWING IS A CONTROLLED DOCUMENT.

DIMENSIONS: mm [INCHES]	TOLERANCES UNLESS OTHERWISE SPECIFIED:	DWN M.BINNER 05NOV02	CHK J.OLSON 05NOV02	APVD J.OLSON 05NOV02	NAME
0 PLC ± -	1 PLC ± -	2 PLC ± 0.25[.010]	3 PLC ± 0.13[.005]	4 PLC ± -	ANGLES ± -
MATERIAL 1	FINISH 2 11	108-25022		114-25018	
CUSTOMER DRAWING		SIZE A2	CAGE CODE 00779	DRAWING NO C=146138	RESTRICTED TO -
		SCALE 4:1	SHEET 1 of 2	REV L6	


TE Connectivity Ltd. REC ASSY, MOD IV, SR, .100 CL VRT BOARD MOUNT, CLOSED, TE SHORT PNT. OF CONTACT

THIS DRAWING IS UNPUBLISHED. RELEASED FOR PUBLICATION
 © COPYRIGHT - By - ALL RIGHTS RESERVED.

REVISIONS				
P	LTR	DESCRIPTION	DATE	APVD
-		SEE SHEET 1	-	-

FINISH	B	A	NO OF POSN	PART NUMBER
OBSOLETE	2.54 [.100]	5.08 [.200]	2	8-146138-9
	96.52 [3.800]	99.06 [3.900]	39	8-146138-8
	93.98 [3.700]	96.52 [3.800]	38	8-146138-7
	91.44 [3.600]	93.98 [3.700]	37	8-146138-6
	88.90 [3.500]	91.44 [3.600]	36	8-146138-5
	86.36 [3.400]	88.90 [3.500]	35	8-146138-4
	83.82 [3.300]	86.36 [3.400]	34	8-146138-3
	81.28 [3.200]	83.82 [3.300]	33	8-146138-2
	78.74 [3.100]	81.28 [3.200]	32	8-146138-1
	71.12 [2.800]	73.66 [2.900]	29	8-146138-0
	68.58 [2.700]	71.12 [2.800]	28	7-146138-9
	66.04 [2.600]	68.58 [2.700]	27	7-146138-8
	63.50 [2.500]	66.04 [2.600]	26	7-146138-7
	60.96 [2.400]	63.50 [2.500]	25	7-146138-6
	58.42 [2.300]	60.96 [2.400]	24	7-146138-5
	55.88 [2.200]	58.42 [2.300]	23	7-146138-4
	53.34 [2.100]	55.88 [2.200]	22	7-146138-3
	50.80 [2.000]	53.34 [2.100]	21	7-146138-2
	76.20 [3.000]	78.74 [3.100]	31	7-146138-1
	99.06 [3.900]	101.60 [4.000]	40	7-146138-0
	73.66 [2.900]	76.20 [3.000]	30	6-146138-9
	48.26 [1.900]	50.80 [2.000]	20	6-146138-8
	45.72 [1.800]	48.26 [1.900]	19	6-146138-7
	43.18 [1.700]	45.72 [1.800]	18	6-146138-6
	40.64 [1.600]	43.18 [1.700]	17	6-146138-5
	38.10 [1.500]	40.64 [1.600]	16	6-146138-4
	35.56 [1.400]	38.10 [1.500]	15	6-146138-3
	33.02 [1.300]	35.56 [1.400]	14	6-146138-2
	30.48 [1.200]	33.02 [1.300]	13	6-146138-1
	27.94 [1.100]	30.48 [1.200]	12	6-146138-0
	25.40 [1.000]	27.94 [1.100]	11	5-146138-9
	22.86 [.900]	25.40 [1.000]	10	5-146138-8
	20.32 [.800]	22.86 [.900]	9	5-146138-7
	17.78 [.700]	20.32 [.800]	8	5-146138-6
	15.24 [.600]	17.78 [.700]	7	5-146138-5
	12.70 [.500]	15.24 [.600]	6	5-146138-4
	10.16 [.400]	12.70 [.500]	5	5-146138-3
	7.62 [.300]	10.16 [.400]	4	5-146138-2
	5.08 [.200]	7.62 [.300]	3	5-146138-1

THIS DRAWING IS A CONTROLLED DOCUMENT.

DWN M.BINNER OSNOV02	 TE Connectivity Ltd.
CHK J.OLSON OSNOV02	
APVD J.OLSON OSNOV02	NAME
PRODUCT SPEC 108-25022	REC ASSY, MOD IV, SR, .100 CL VRT BOARD MOUNT, CLOSED, TE SHORT PNT. OF CONTACT
APPLICATION SPEC 114-25018	SIZE A2
MATERIAL 1	CAGE CODE 00779
WEIGHT -	DRAWING NO C=146138
FINISH 2 11	RESTRICTED TO -
CUSTOMER DRAWING	SCALE 4:1
	SHEET 2 of 2
	REV L6

Mouser Electronics

Authorized Distributor

Click to View Pricing, Inventory, Delivery & Lifecycle Information:

[TE Connectivity:](#)

[146138-3](#)