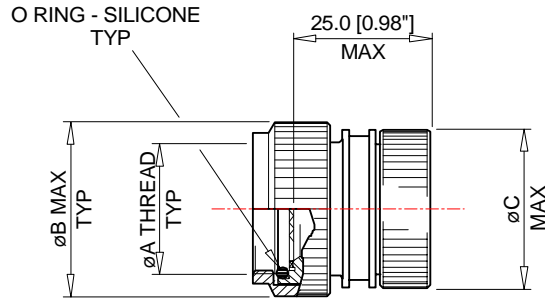


# CUSTOMER DRAWING

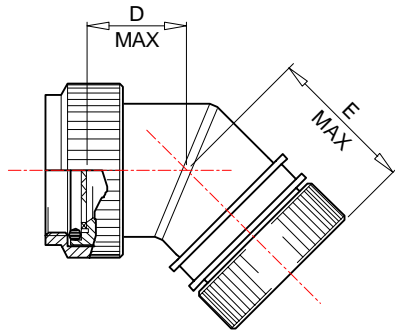
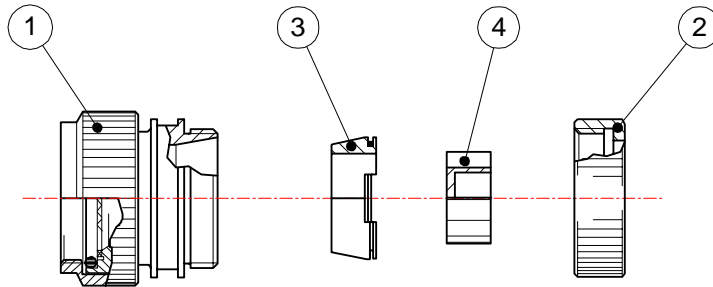
REV:  
**A**

DATE:  
Aug 21, 2008



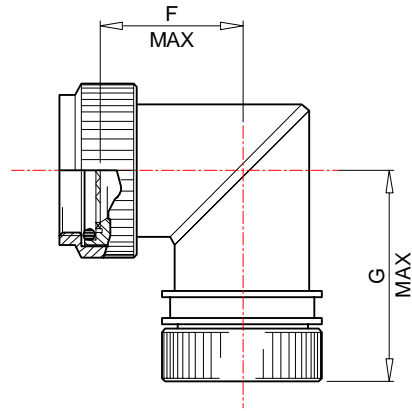
### STRAIGHT ADAPTOR

-00



### 45° ADAPTOR

-45



### 90° ADAPTOR

-90

© 2008 Tyco Electronics. All rights reserved.

|  |                 |   |                        |
|--|-----------------|---|------------------------|
| <div style="display: inline-block; vertical-align: middle; margin-left: 10px;"> <p><b>Raychem</b><br/>Wire and Harnessing Products<br/>300 Constitution Drive<br/>Menlo Park, CA 94025, USA</p> </div> |                 | <p>TITLE:<br/><b>HEXASHIELD ADAPTOR FOR<br/>CODE 40 CONNECTORS<br/>PLAIN CLAMPING NUT</b></p>   |                        |
| <p>UNLESS OTHERWISE SPECIFIED<br/>DIMENSIONS ARE IN MILLIMETERS.<br/>INCH DIMENSIONS ARE SHOWN IN<br/>BRACKETS</p>   |                 | <p>Tyco Electronics reserves the right to amend this drawing at<br/>any time. Users should evaluate the suitability of the<br/>product for their application.</p> |                        |
| DRAWN:<br>IRT  | DATE:<br>OCT 07 | CAGE CODE:<br>06090   | DCR #<br>ECO-08-019355 |
| DOCUMENT NO.<br><b>HEX40-KC-YY-YY-AYY-1-YY</b>   |                 | FILE:<br>87002/40-KC-1  | SCALE:<br>NONE         |
|  |                 | SHEET:<br>1 OF 4  |                        |

If this document is printed it becomes uncontrolled. Check for the latest revision.

# CUSTOMER DRAWING

REV:  
ADATE:  
Aug 21, 2008

## KIT DESCRIPTION


| ITEM | DESCRIPTION          | MATERIAL        |
|------|----------------------|-----------------|
| 1    | BODY ASSEMBLY        | STAINLESS STEEL |
| 2    | CLAMPING NUT - PLAIN | STAINLESS STEEL |
| 3    | CONIC RING           | STAINLESS STEEL |
| 4    | STAR - PLAIN         | STAINLESS STEEL |

## TABLE OF DIMENSIONS

| Order Number | Shell Size |      | ØA Thread<br>Class 6H | ØB<br>Max       | ØC<br>Max       | D<br>Max        | E<br>Max        | F<br>Max        | G<br>Max        | Ferrule Quantity |                |
|--------------|------------|------|-----------------------|-----------------|-----------------|-----------------|-----------------|-----------------|-----------------|------------------|----------------|
|              | Mil.       | Com. |                       |                 |                 |                 |                 |                 |                 | Std.             | Optional       |
| 09           | A          | 09   | M12 x 1               | 19.0<br>[0.75"] | 17.5<br>[0.69"] | 12.5<br>[0.49"] | 25.5<br>[1.00"] | 16.0<br>[0.63"] | 29.0<br>[1.14"] | 1                | -              |
| 11           | B          | 11   | M15 x 1               | 22.0<br>[0.87"] | 21.5<br>[0.85"] | 13.0<br>[0.51"] | 26.0<br>[1.02"] | 17.5<br>[0.69"] | 30.5<br>[1.20"] | 2                | -              |
| 13           | C          | 13   | M18 x 1               | 25.5<br>[1.00"] | 22.5<br>[0.89"] | 14.0<br>[0.55"] | 26.5<br>[1.04"] | 19.0<br>[0.75"] | 32.0<br>[1.26"] | 3                | -              |
| 15           | D          | 15   | M22 x 1               | 30.5<br>[1.20"] | 25.5<br>[1.00"] | 14.5<br>[0.57"] | 27.5<br>[1.08"] | 20.5<br>[0.81"] | 33.5<br>[1.32"] | 5                | -              |
| 17           | E          | 17   | M25 x 1               | 33.5<br>[1.32"] | 28.5<br>[1.12"] | 15.0<br>[0.59"] | 28.0<br>[1.10"] | 22.0<br>[0.87"] | 35.0<br>[1.38"] | 6                | 7              |
| 19           | F          | 19   | M28 x 1               | 37.0<br>[1.46"] | 31.5<br>[1.24"] | 15.5<br>[0.61"] | 28.5<br>[1.12"] | 23.5<br>[0.93"] | 36.5<br>[1.44"] | 7                | -              |
| 21           | G          | 21   | M31 x 1               | 38.5<br>[1.52"] | 35.0<br>[1.38"] | 16.5<br>[0.65"] | 29.0<br>[1.14"] | 25.5<br>[1.00"] | 38.5<br>[1.52"] | 9                | 11             |
| 23           | H          | 23   | M34 x 1               | 42.0<br>[1.65"] | 38.0<br>[1.50"] | 17.0<br>[0.67"] | 30.0<br>[1.18"] | 27.0<br>[1.06"] | 40.0<br>[1.57"] | 10               | 11/12/13/15    |
| 25           | J          | 25   | M37 x 1               | 46.5<br>[1.83"] | 41.0<br>[1.61"] | 18.0<br>[0.71"] | 31.0<br>[1.22"] | 28.5<br>[1.12"] | 41.5<br>[1.63"] | 12               | 13/14/15/17/18 |

## PART NUMBERING

© 2008 Tyco Electronics. All rights reserved.

|   |                 |  |   |  |                |                  |
|---|-----------------|--|---|--|----------------|------------------|
|  <b>Raychem</b><br>Wire and Harnessing Products<br>300 Constitution Drive<br>Menlo Park, CA 94025, USA |                 |  | TITLE:<br><b>HEXASHIELD ADAPTOR FOR<br/>CODE 40 CONNECTORS<br/>PLAIN CLAMPING NUT</b> |  |                |                  |
| UNLESS OTHERWISE SPECIFIED<br>DIMENSIONS ARE IN MILLIMETERS.<br>INCH DIMENSIONS ARE SHOWN IN<br>BRACKETS  |                 | Tyco Electronics reserves the right to amend this drawing at<br>any time. Users should evaluate the suitability of the<br>product for their application. |   | DOCUMENT NO.<br><b>HEX40-KC-YY-YY-AYY-1-YY</b> |                |                  |
| DRAWN:<br>IRT   | DATE:<br>OCT 07 | CAGE CODE:<br>06090  | DCR #<br>ECO-08-019355  | FILE:<br>87002/40-KC-1                         | SCALE:<br>NONE | SHEET:<br>2 OF 4 |

If this document is printed it becomes uncontrolled. Check for the latest revision.

# CUSTOMER DRAWING

REV:  
A

DATE:  
Aug 21, 2008

HEX40 - K C - 00 - 21 - A9 - 1 - DS

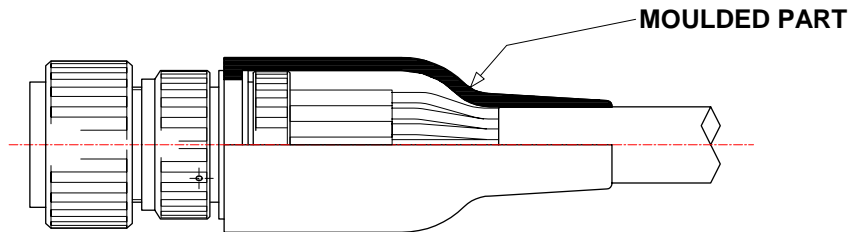
- CONNECTOR CODE NUMBER \_\_\_\_\_  
HEX40 = MIL-C-38999 SERIES III AND IV
- MATERIAL CODE: \_\_\_\_\_  
K = STAINLESS STEEL
- PLATING CODE: \_\_\_\_\_  
C = ELECTROLESS NICKEL TO SAE-AMS-C-26074
- BODY STYLE \_\_\_\_\_  
00 = STRAIGHT  
45 = 45°  
90 = 90°
- ORDER NUMBER \_\_\_\_\_
- FERRULE QUANTITY CODE \_\_\_\_\_
- 1 = PLAIN CLAMPING NUT \_\_\_\_\_
- DS = DRILLED STAR - SEE NOTE 1 \_\_\_\_\_

## APPLICATION

- These adaptors are designed to be mounted on the following connectors:

MIL-DTL-38999 Series III and IV

- They are qualified to the Raychem specification RB-114, when installed on metallic Mil-Specification circular connectors only.
- They are designed primarily for open wire bundle installation but are also designed to accept Raychem heat shrink moulded parts where strain relief is required – see illustration.




- Use in conjunction with ferrules HET-A-0XX, which are purchased separately. Refer to HET-A-0XX S.C.D. for relevant selection details.

## INSTALLATION

- See Installation Procedure RPIP-696-04 (straight bodies) or RPIP-696-07 (45° or 90° bodies) for assembly.
- See Installation Procedure RPIP-696-00 for cable termination.

## PACKAGING

© 2008 Tyco Electronics. All rights reserved.

|   |                 |  |   |  |                |                  |
|---|-----------------|--|---|--|----------------|------------------|
|  <b>Raychem</b><br>Wire and Harnessing Products<br>300 Constitution Drive<br>Menlo Park, CA 94025, USA |                 |  | TITLE:<br><b>HEXASHIELD ADAPTOR FOR<br/>         CODE 40 CONNECTORS<br/>         PLAIN CLAMPING NUT</b> |  |                |                  |
| UNLESS OTHERWISE SPECIFIED<br>DIMENSIONS ARE IN MILLIMETERS.<br>INCH DIMENSIONS ARE SHOWN IN<br>BRACKETS  |                 | Tyco Electronics reserves the right to amend this drawing at<br>any time. Users should evaluate the suitability of the<br>product for their application. |   | DOCUMENT NO.<br><b>HEX40-KC-YY-YY-AYY-1-YY</b> |                |                  |
| DRAWN:<br>IRT   | DATE:<br>OCT 07 | CAGE CODE:<br>06090  | DCR #<br>ECO-08-019355  | FILE:<br>87002/40-KC-1                         | SCALE:<br>NONE | SHEET:<br>3 OF 4 |

If this document is printed it becomes uncontrolled. Check for the latest revision.

# CUSTOMER DRAWING

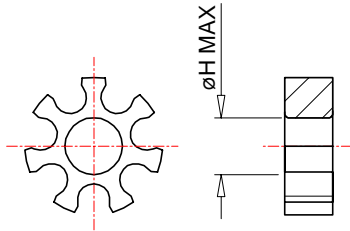
REV:  
A

DATE:  
Aug 21, 2008

- All components are supplied in a plastic bag.

## NOTES!

- Item 4 - Star - is **not** supplied with Hexashield Order Number 09.
- The DS option, illustrated below, is for a Drilled Star that is available on sizes 15 to 25 only. This option is to allow unshielded wires to pass through the assembly.

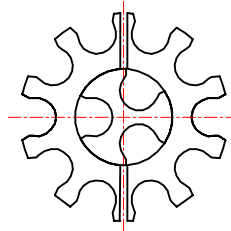


| STAR SIZE | 15             | 17             | 19             | 21              | 23              | 25              |
|-----------|----------------|----------------|----------------|-----------------|-----------------|-----------------|
| ØH MAX    | 3.0<br>[0.12"] | 6.0<br>[0.24"] | 9.0<br>[0.35"] | 12.0<br>[0.47"] | 15.0<br>[0.59"] | 18.0<br>[0.71"] |

- Where the ferrule quantities required are standard, the item 4 - Star - is also standard. If the optional quantity is selected then 2 items 4 will be supplied - one "split" and the other one standard. See below for illustration. Note: Star combination may vary from Order Number to Order Number.


EXAMPLE: FERRULE QUANTITY CODE -A13

-A13 = -A10 SPLIT STAR + -A3 STANDARD STAR



- Assembly is to be permanently marked with Code Identity Number and Part Number.  
(e.g. 06090 HEX40-KC-00-21-A9-1)

© 2008 Tyco Electronics. All rights reserved.

|   |                 |  |   |  |                |                  |
|---|-----------------|--|---|--|----------------|------------------|
|  <b>Raychem</b><br>Wire and Harnessing Products<br>300 Constitution Drive<br>Menlo Park, CA 94025, USA |                 |  | TITLE:<br><b>HEXASHIELD ADAPTOR FOR<br/>         CODE 40 CONNECTORS<br/>         PLAIN CLAMPING NUT</b> |  |                |                  |
| UNLESS OTHERWISE SPECIFIED<br>DIMENSIONS ARE IN MILLIMETERS.<br>INCH DIMENSIONS ARE SHOWN IN<br>BRACKETS  |                 | Tyco Electronics reserves the right to amend this drawing at<br>any time. Users should evaluate the suitability of the<br>product for their application. |   | DOCUMENT NO.<br><b>HEX40-KC-YY-YY-AYY-1-YY</b> |                |                  |
| DRAWN:<br>IRT   | DATE:<br>OCT 07 | CAGE CODE:<br>06090  | DCR #<br>ECO-08-019355  | FILE:<br>87002/40-KC-1                         | SCALE:<br>NONE | SHEET:<br>4 OF 4 |

If this document is printed it becomes uncontrolled. Check for the latest revision.

# Mouser Electronics

Authorized Distributor

Click to View Pricing, Inventory, Delivery & Lifecycle Information:

[TE Connectivity:](#)

[HEX40-KC-90-13-A3-1](#)