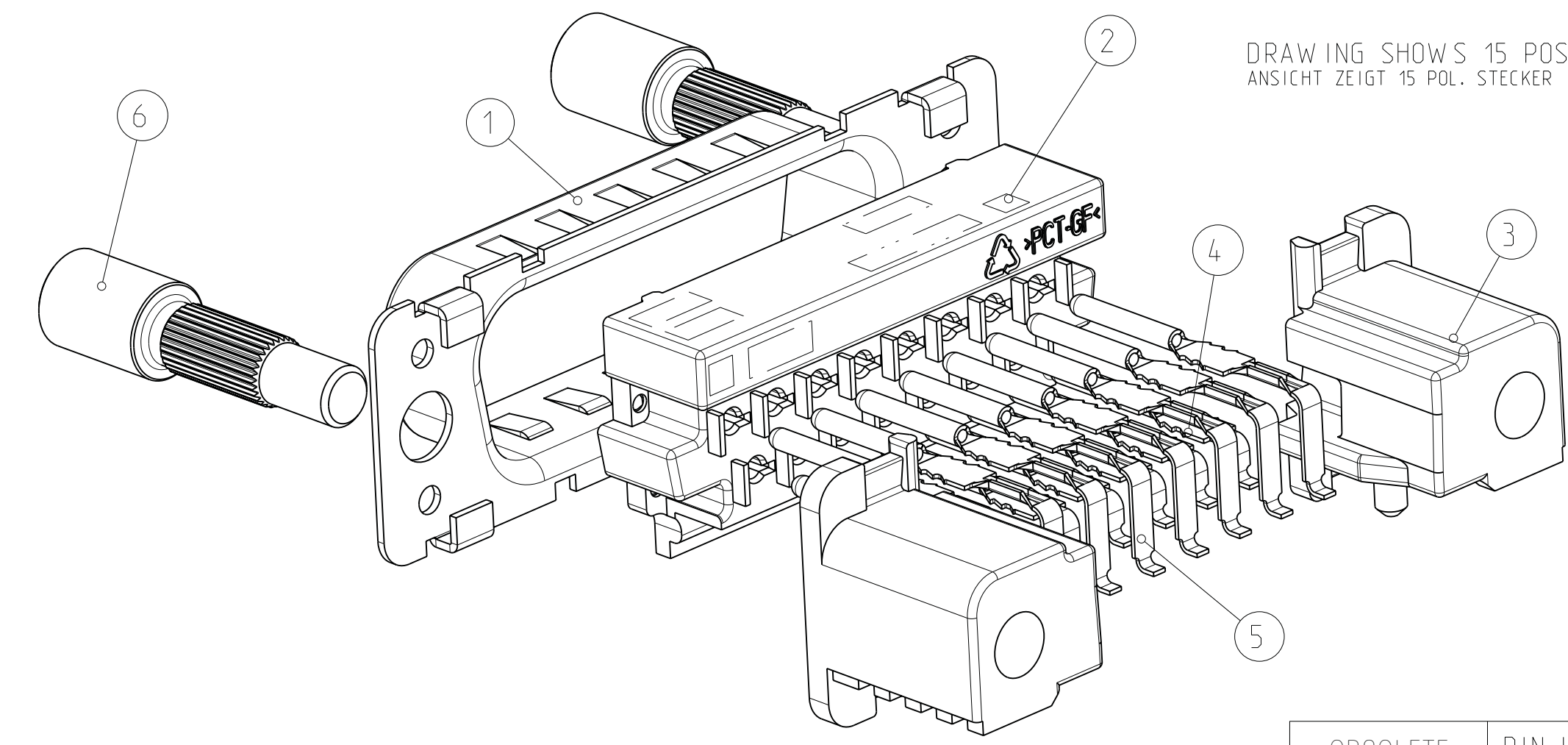
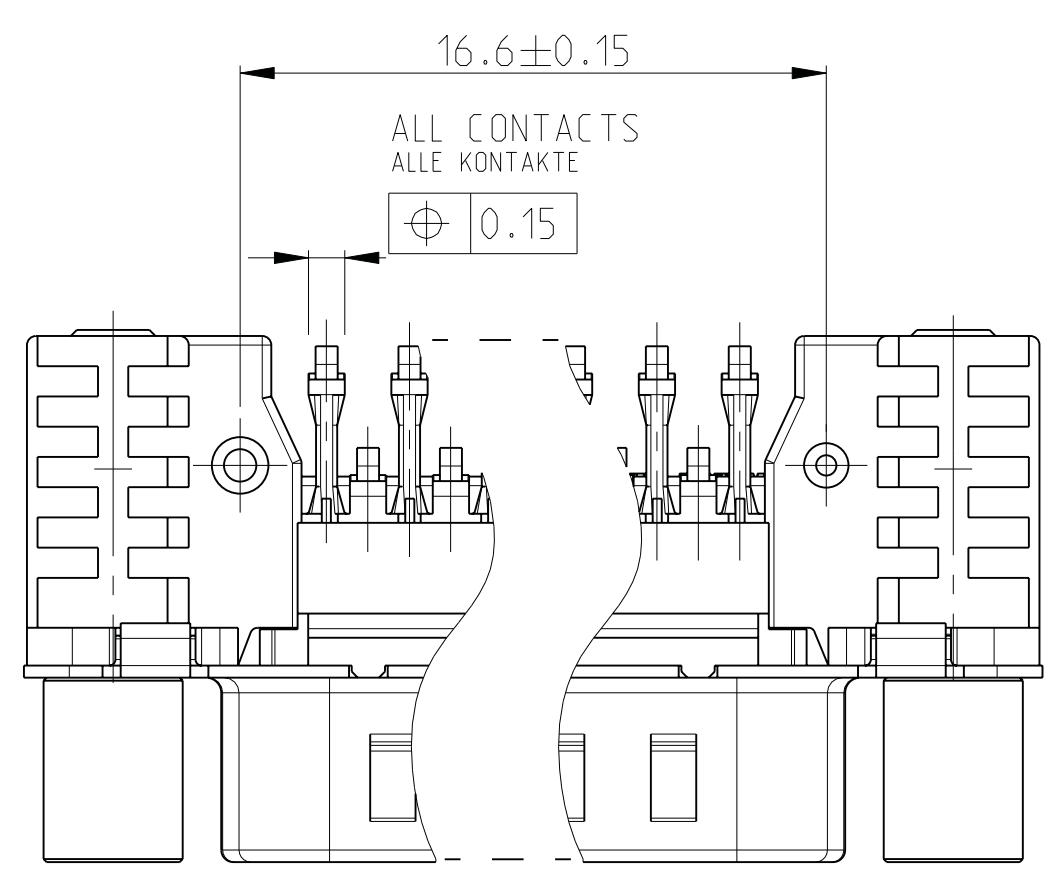
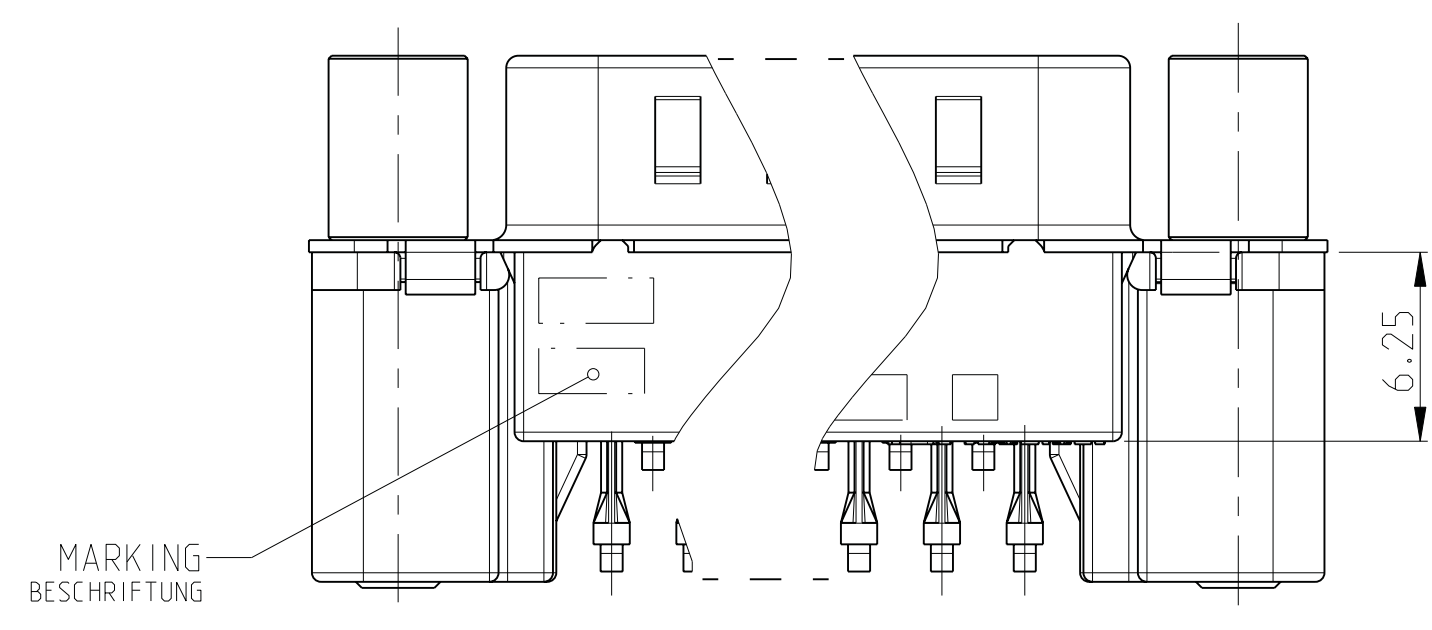
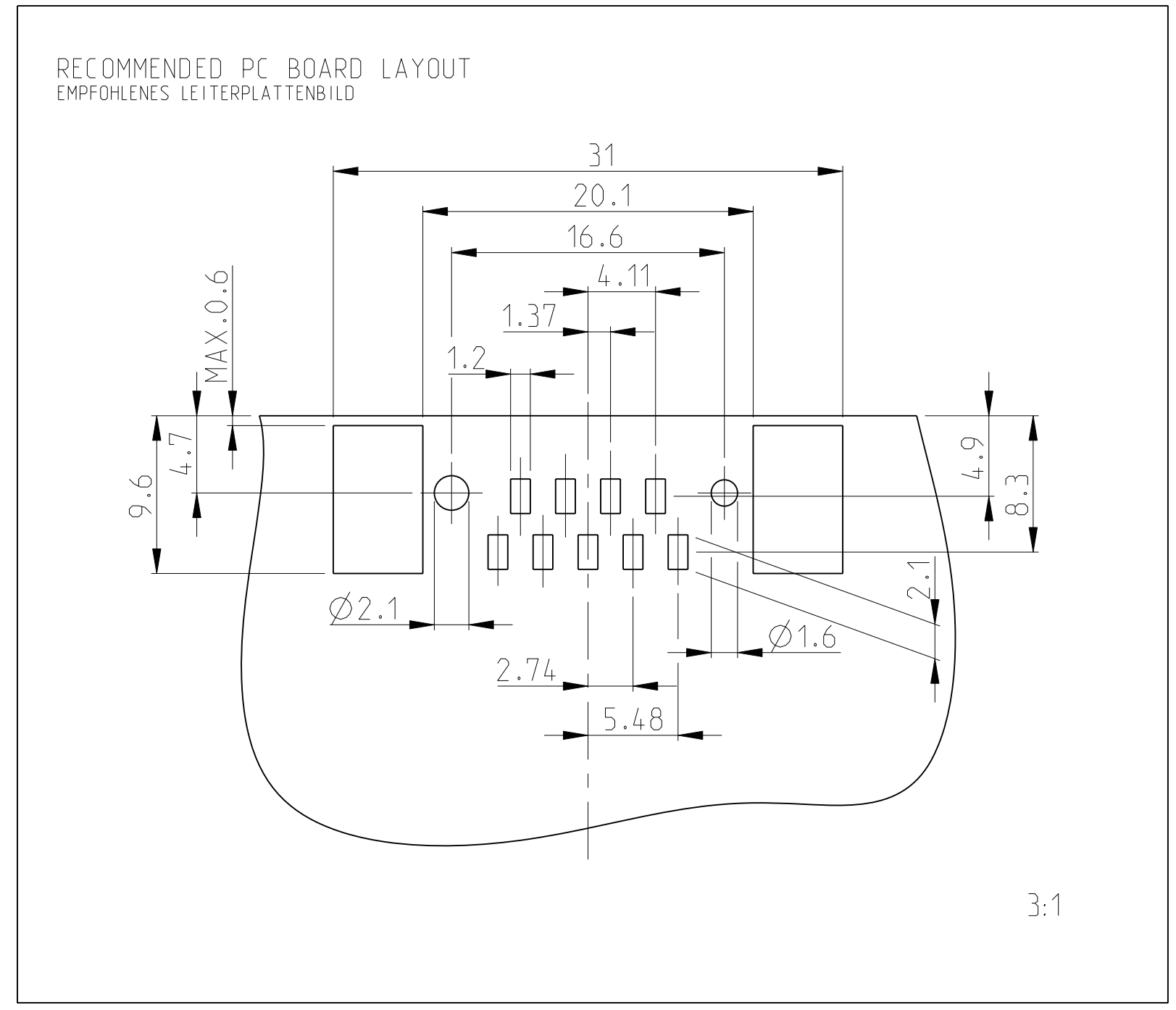
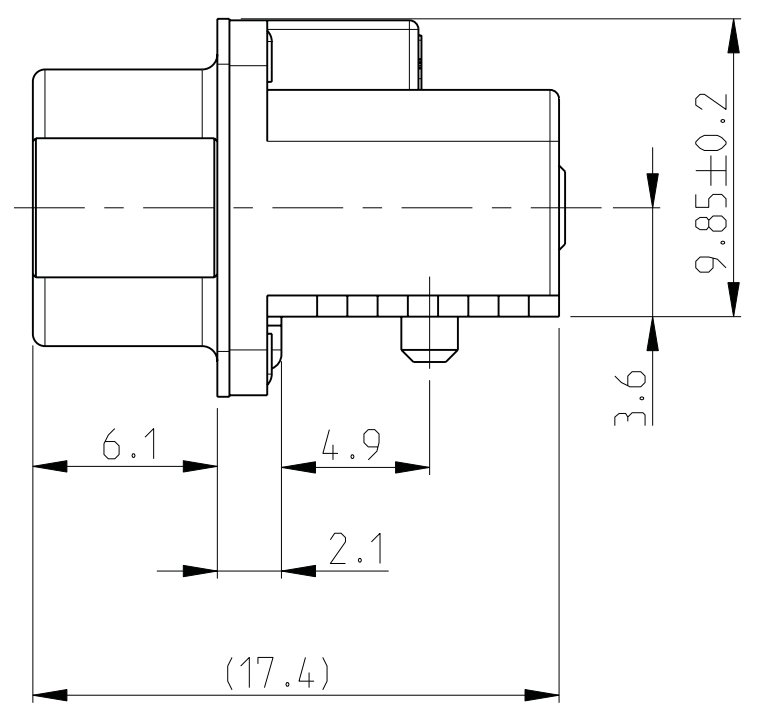
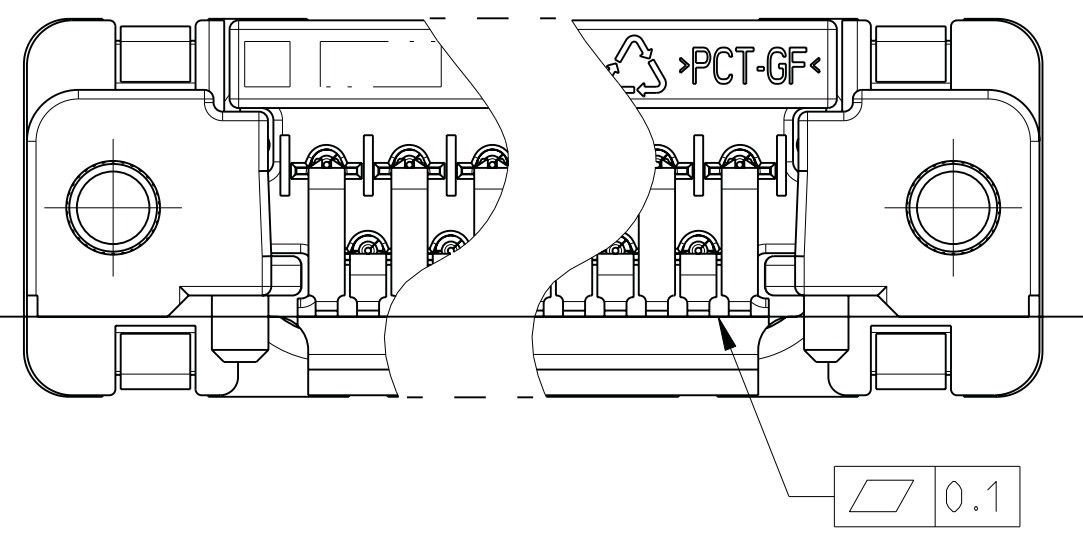


LOC	DIST	REVISIONS			
		REV.	DATE	BY	CHKD
A1	-	D1	22MAR2011	RK	HMR
		E	29FEB2012	CJV	SLB



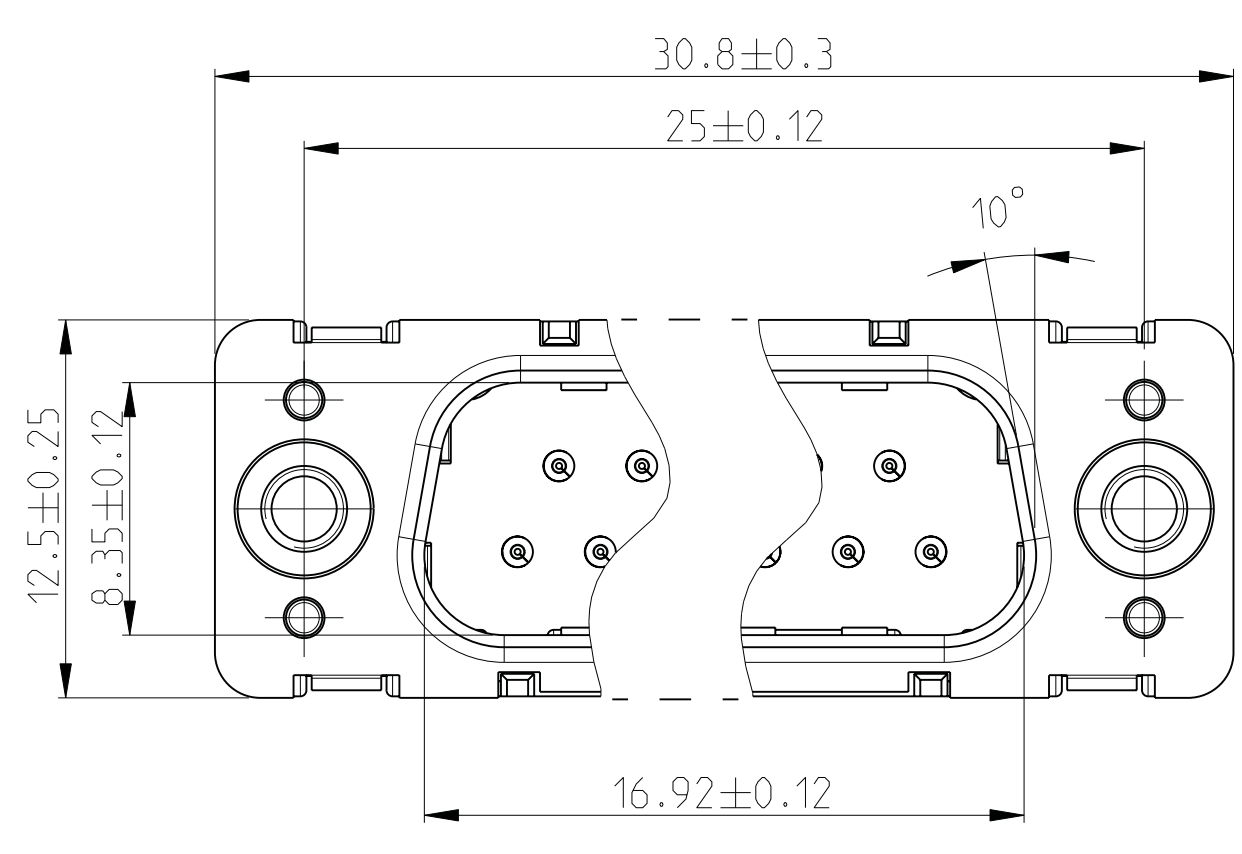
DRAWING SHOWS 15 POS. CONNECTOR
ANSICHT ZEIGT 15 POL. STECKER

DESCRIPTION	SHELL PLATING: TIN OVER Ni	SHELL PLATING: Ni
OBSOLETE PIN HEADER, 9 POS., STUD WITH THREAD M3	4-1740195-2	4-1740195-5
OBSOLETE PIN HEADER, 9 POS., BRACKET WITH THREAD M3	2-1740195-2	2-1740195-5
PIN HEADER, 9 POS., STUD WITH THREAD UNC 4/40	3-1740195-2	3-1740195-5
PIN HEADER, 9 POS., BRACKET WITH THREAD UNC 4-40	1-1740195-2	1-1740195-5
PIN HEADER, 9 POS., BRACKET WITH HOLE Ø3.1	0-1740195-2	0-1740195-5



- REMARKS:
- 1 CONTACT AREA: MIN. 0.8 µm Au OVER 1.27 µm Ni, SOLDER AREA: 3-5 µm Sn OVER MIN. 1.27 µm Ni
 - 2 PACKAGING SEE SHEET 2
 - 3 CONNECTOR SUITABLE TO LEAD-FREE SMT SOLDER PROCESS
 - 4 TIN OVER NICKEL

- BEMERKUNGEN:
- 1 KONTAKTBEREICH: MIN. 0.8 µm Au UEBER 1.27 µm Ni, LOETBEREICH: 3-5 µm Sn UEBER MIN. 1.27 µm Ni
 - 2 VERPACKUNGSART SIEHE BLATT 2
 - 3 STECKER GEEIGNET FUER BLEIFREIES LOETEN
 - 4 ZINN UEBER NICKEL



POS.	QTY.	DESCRIPTION BENENNUNG	SURFACE OBERFLAECHE COLOUR/FARBE	MATERIAL
6	2	THREAD STUD GEWINDEBOLZEN	NICKEL NICKEL	STEEL STAHL
5	5	PIN CONTACT, SMD, LONG STIFTKONTAKT, SMD, LANG	1	CuMg
4	4	PIN CONTACT, SMD, SHORT STIFTKONTAKT, SMD, KURZ	1	CuMg
3	2	BRACKET, SMD, LEFT/RIGHT WINKELSTUECK, SMD, LINKS/RECHTS	4	CAST METAL DRUCKGUSS
2	1	PIN HOUSING STIFTGEHAEUSE	BLACK SCHWARZ	PCT-GF
1	1	SHELL SCHIRMBLECH	SEE TABLE SIEHE TABELLE	STEEL STAHL

THIS DRAWING IS A CONTROLLED DOCUMENT. THIS IS CHANGING DOCUMENT AND SHOULD BE KEPT UNDER CONTROL. ANY CHANGES TO THIS DOCUMENT SHOULD BE APPROVED BY THE ORIGINAL AUTHOR AND THE APPROVED BY THE ORIGINAL AUTHOR.

DATE: 30NOV2004
 CHK: M. SCHAAERSCHMIDT
 APVD: G. FELDMEIER

PRODUCT SPEC: 108-94000
 APPLICATION SPEC: VERARBEITUNGSSPEZ.

SCALE: 5:1
 SHEET: 1 OF 2

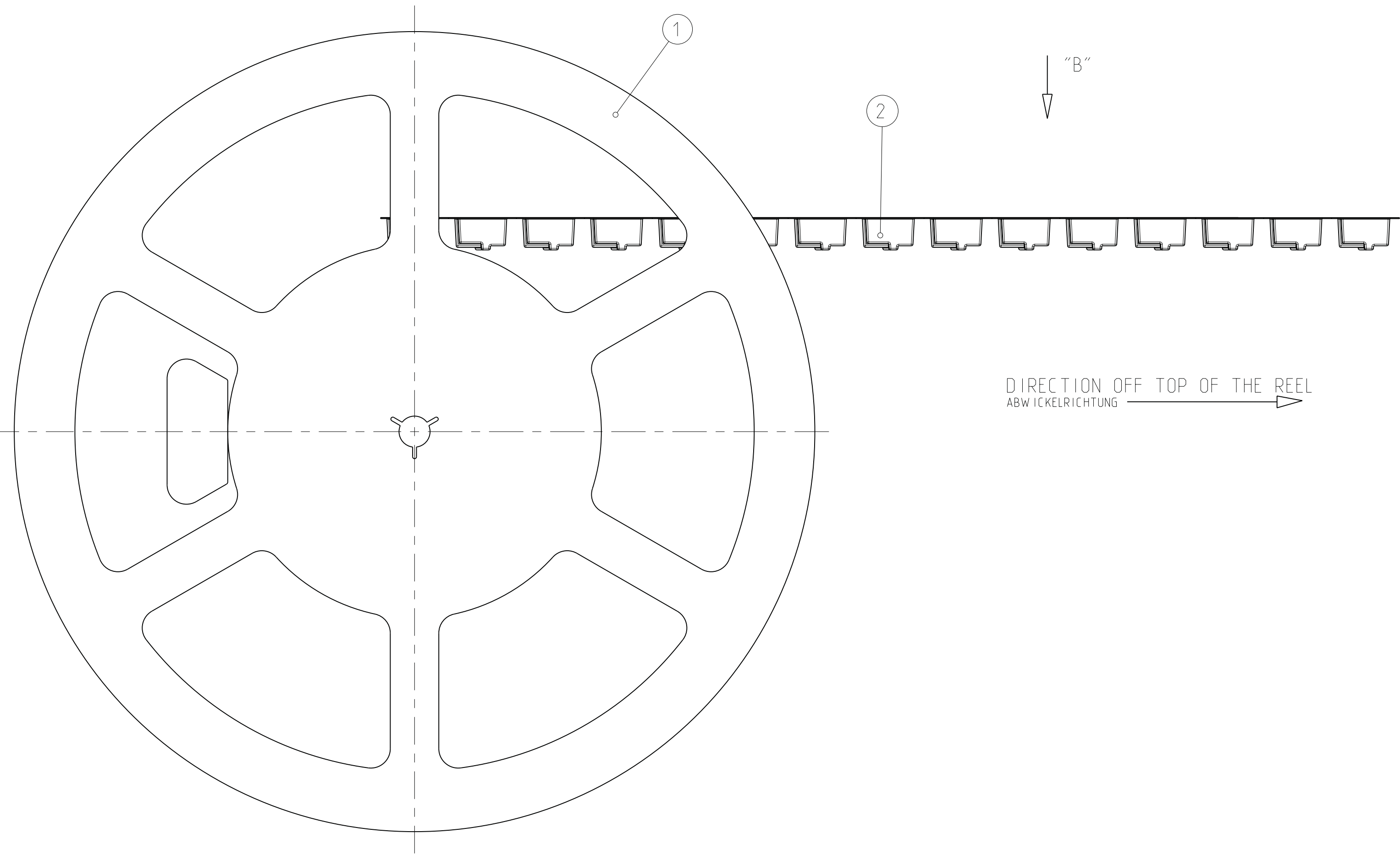
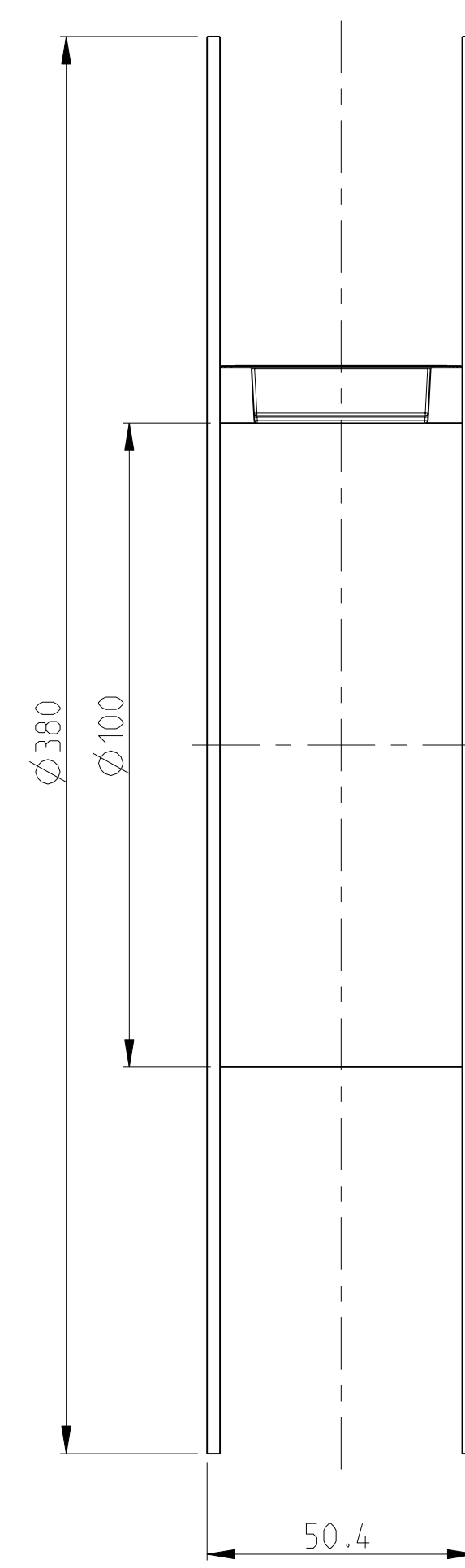
STE TE Connectivity
 HDP20 PIN HEADER, SMT, 9POS.
 HDP20 STIFTLISTE, SMT, 9POL.
 EUROSTYLE

SIZE: A1
 CAGE CODE: 00779
 DRAWING NO: 1740195

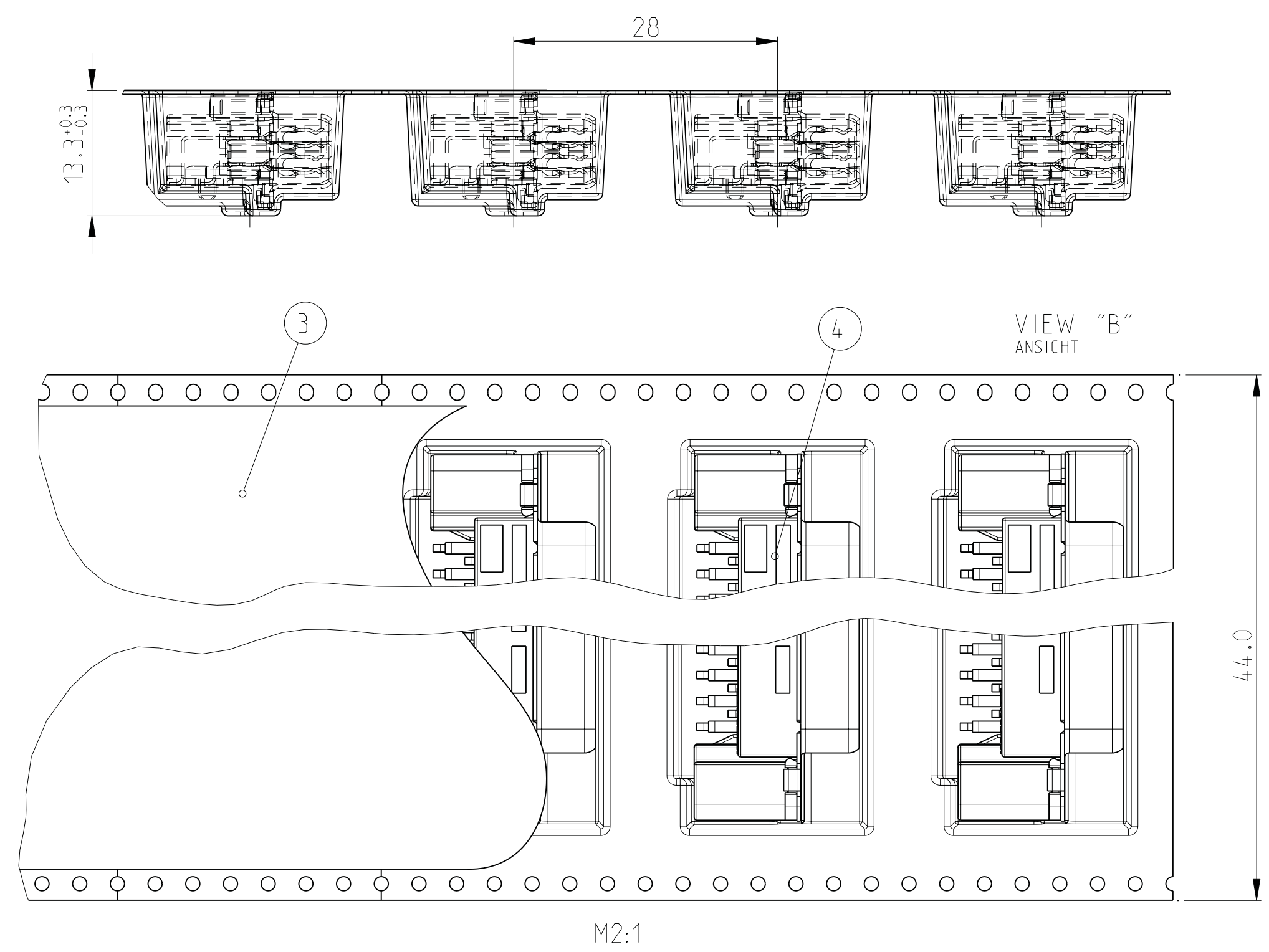
MATERIAL: SEE TABLE S-TABELLE
 FINISH/SCHLUESSELFARBE: SEE TABLE S-TABELLE
 WEIGHT/GEWICHT: -

CUSTOMER DRAWING
 /KUNDENZEICHNUNG

LOC		DIST		REVISIONS			
P	LTR	DESCRIPTION	DATE	DWN	APVD		
-	-	SEE SHEET 1	-	-	-		



DIRECTION OFF TOP OF THE REEL
ABWICKELRICHTUNG



REMARKS:

- 1 COVER TAPE WITH BLISTER BELT WELDED OR PASTED
- 2 BLISTER BELT, COVER AND TAPE ACC. TO DIN/IEC 286 PART 3
- 3 FIRST AND LAST RUNNING OF THE CARRIER TAPE ACC. TO DIN/IEC 286 PART 3
- 4 7m BLISTERBELT AND 7.1m COVER TAPE, 225 LOOSE PIECE PARTS

BEMERKUNGEN:

- 1 ABDECKBAND MIT BLISTERGURT VERSCHWEISST ODER VERKLEBT
- 2 BLISTERGURT, ABDECKBAND UND REEL NACH DIN/IEC 286 TEIL 3
- 3 VOR- UND NACHLAUF AM BLISTERGURT NACH DIN/IEC 286 TEIL 3
- 4 7m BLISTERGURT UND 7.1m ABDECKBAND, 225 EINZELTEILE

1740195	POS.	PARTS LIST					DESCRIPTION BENENNUNG	SURFACE OBERFLAECHE COLOUR/FARBE	MATERIAL
		4-1740195-2	3-1740195-2	2-1740195-2	1-1740195-2	0-1740195-2			
4	225	-	-	-	-	SUB-D PIN HEADER, 9 POS., STUD M3 SUB-D STIFTSTECKER, 9 POL., BOLZEN M3	-	-	
4	-	225	-	-	-	SUB-D PIN HEADER, 9 POS., STUD UNC4-40 SUB-D STIFTSTECKER, 9 POL., BOLZEN UNC4-40	-	-	
4	-	-	225	-	-	SUB-D PIN HEADER, 9 POS., M3 SUB-D STIFTSTECKER, 9 POL., M3	-	-	
4	-	-	-	225	-	SUB-D PIN HEADER, 9 POS., UNC4-40 SUB-D STIFTSTECKER, 9POL., UNC4-40	-	-	
4	-	-	-	-	225	SUB-D PIN HEADER, 9 POS. SUB-D STIFTSTECKER, 9POL.	-	-	
3	7.1m	7.1m	7.1m	7.1m	7.1m	COVER BELT FOR BLISTER BELT ABDECKBAND FUER BLISTERGURT	TRANSPARENT	PET	
2	7m	7m	7m	7m	7m	BLISTER BELT BLISTERGURT	GREY/BLACK GRAU/SCHWARZ	PS	
1	1	1	1	1	1	REEL SPULE	GREY GRAU	PS	

THIS DRAWING IS A CONTROLLED DOCUMENT.

APPROVED: M. SCHAARSCHMIDT, DATE: 01DEC2004, DRAWING NO: 1740195

TE Connectivity

HDP20 PIN HEADER, SMT, 9POS. HDP20 STIFTELEISTE, SMT, 9POL. EUROSTYLE

SIZE: A1, CAGE CODE: 00779, DRAWING NO: 1740195, SHEET: 2 OF 2

Mouser Electronics

Authorized Distributor

Click to View Pricing, Inventory, Delivery & Lifecycle Information:

[TE Connectivity:](#)

[3-1740195-2](#)