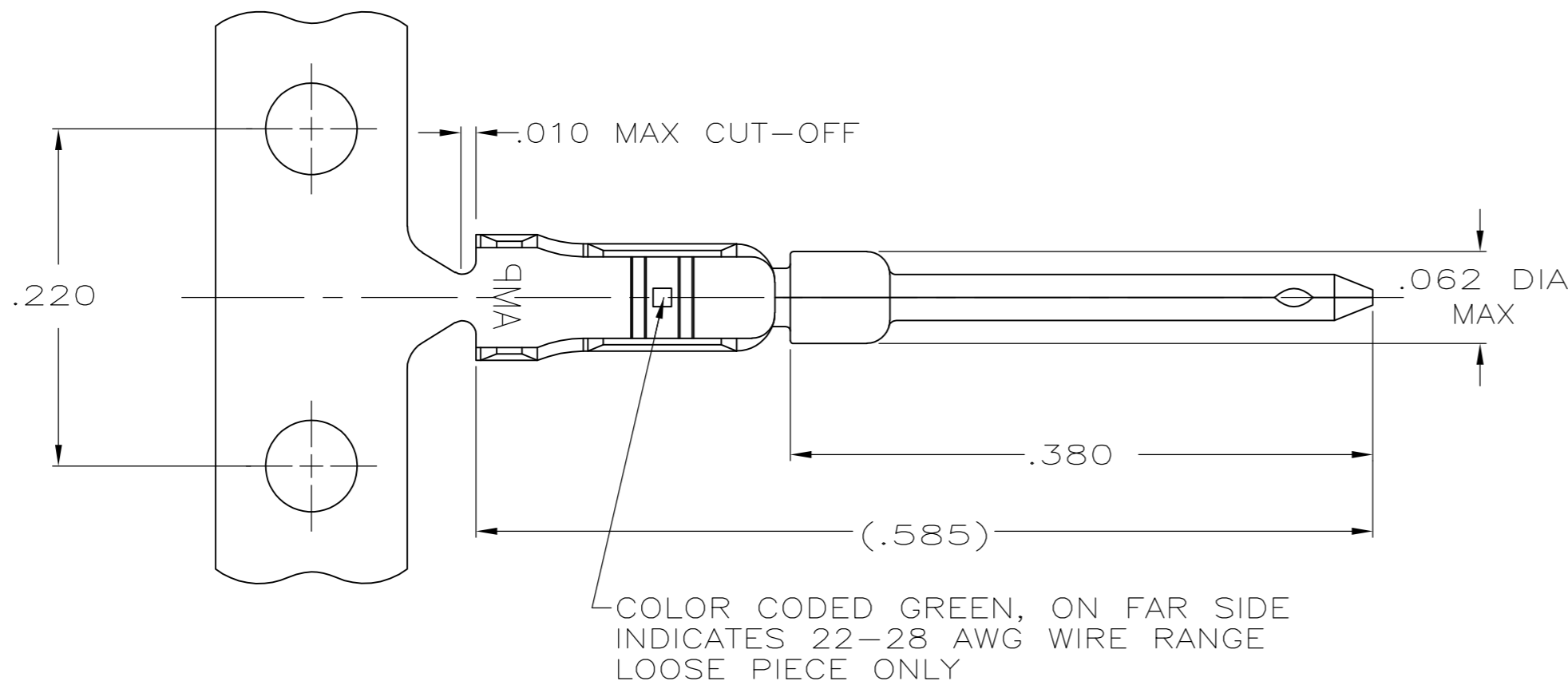
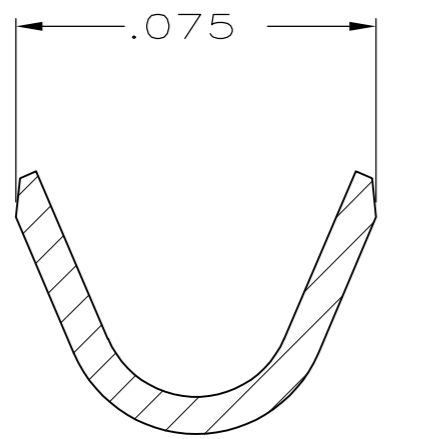
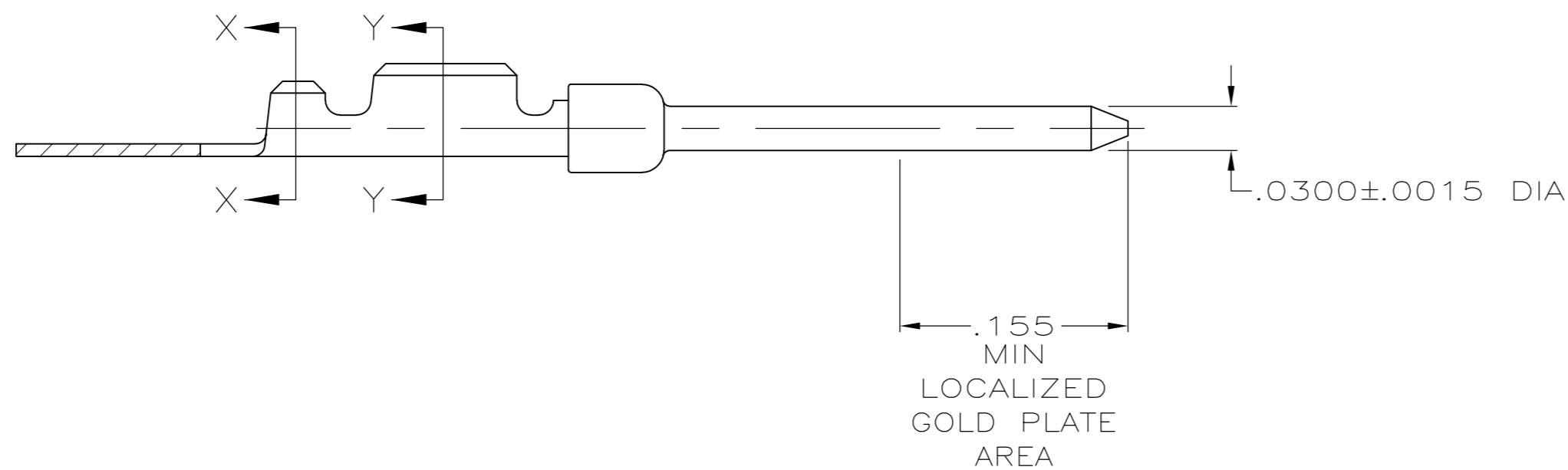


THIS DRAWING IS UNPUBLISHED. RELEASED FOR PUBLICATION  
 © COPYRIGHT - By - ALL RIGHTS RESERVED.

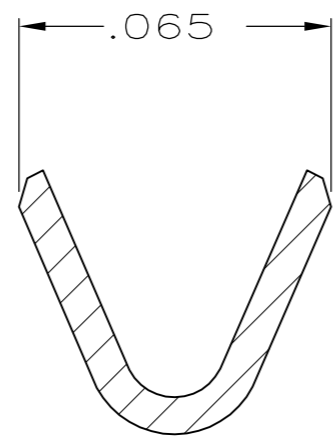
LOC	DIST	REVISIONS					
GP	00	P	LTR	DESCRIPTION	DATE	DWN	APVD
		C1		REVISED PER ECO-11-004835	11MAR11	RK	HMR



- 1 FOR MINI APPLICATOR.
- 2 FOR HAND TOOL USE ONLY.
- 3. WIRE RANGE OF 22-28, INSULATION RANGE OF .030-.040.
- 4 .000050 MIN NICKEL UNDERPLATE ON ENTIRE CONTACT. .000100 MIN TIN ON WIRE AND INSULATION BARRELS, .000030 MIN GOLD ON LOCALIZED GOLD PLATE AREA.  
OR  
.000050 MIN NICKEL UNDERPLATE ON ENTIRE CONTACT. .000100 MIN TIN ON WIRE AND INSULATION BARRELS, GOLD FLASH OVER PALLADIUM-NICKEL, .000030 MIN TOTAL IN LOCALIZED GOLD PLATE AREA.
- 5 GOLD FLASH IN LOCALIZED GOLD PLATE AREA, .000100 MIN TIN IN WIRE & INSULATION BARRELS, BOTH OVER .000050 MIN NICKEL UNDERPLATE.
- 6 SMALL PACK PACKAGING.



SECTION X-X  
INSULATION BARREL  
SCALE 25:1



SECTION Y-Y  
WIRE BARREL  
SCALE 25:1

FINISH	USE	TYPE	PART NUMBER
4	2	LOOSE PIECE	1658670-5
5	2	LOOSE PIECE	1658670-4
5	1	STRIP	1658670-3
4	2	LOOSE PIECE	1658670-2
4	1	STRIP	1658670-1

THIS DRAWING IS A CONTROLLED DOCUMENT.		DWN L. VARELA - DOCK5 11-17-04	<b>TE</b> TE Connectivity	
DIMENSIONS: INCHES		CHK J. GERACE 11-17-04		
TOLERANCES UNLESS OTHERWISE SPECIFIED:		APVD M. WALMSLEY 11-17-04	NAME PIN CONTACT, 22-28 AWG, 22 DF, AMPLIMITE	
0 PLC ± -		PRODUCT SPEC 108-1268	SIZE CAGE CODE DRAWING NO RESTRICTED TO	
1 PLC ± -		APPLICATION SPEC 114-10001	A2 00779 C=1658670	
2 PLC ± -		WEIGHT -	SCALE 10:1 SHEET 1 OF 1 REV C1	
3 PLC ± .005		MATERIAL BRASS	CUSTOMER DRAWING	
4 PLC ± -		FINISH SEE TABLE		
ANGLES ± 2°				

# Mouser Electronics

Authorized Distributor

Click to View Pricing, Inventory, Delivery & Lifecycle Information:

[TE Connectivity:](#)

[1658670-5](#)