

Adapter plate - HC-B 6-ADP/1 DSUB 9 - 1775457


Please be informed that the data shown in this PDF Document is generated from our Online Catalog. Please find the complete data in the user's documentation. Our General Terms of Use for Downloads are valid (<http://phoenixcontact.com/download>)



D-SUB adapter plate, for one D-SUB connector, no. of positions 9, housing series HC-B 6...



Key Commercial Data

Packing unit	1 pc
Minimum order quantity	2 pc
GTIN	 4 017918 038052
Weight per Piece (excluding packing)	14.6 g
Custom tariff number	85472000
Country of origin	Germany

Technical data

Dimensions

Length	51.5 mm
Height	34.5 mm
Hole diameter	3.2 mm
Drill hole distance, vertical	27 mm

General

Note	For housing HC-B6
Material	PA
Flammability rating according to UL 94	HB
Color	gray
Number of positions	9
Type	B6

Adapter plate - HC-B 6-ADP/1 DSUB 9 - 1775457

Technical data

Standards and Regulations

Flammability rating according to UL 94	HB
--	----

Classifications

eCl@ss

eCl@ss 4.0	27140816
eCl@ss 4.1	27140816
eCl@ss 5.0	27143424
eCl@ss 5.1	27143424
eCl@ss 6.0	27143424
eCl@ss 7.0	27440209
eCl@ss 8.0	27440201

ETIM

ETIM 3.0	EC002309
ETIM 4.0	EC002309
ETIM 5.0	EC002309

UNSPSC

UNSPSC 6.01	30211808
UNSPSC 7.0901	39121408
UNSPSC 11	39121408
UNSPSC 12.01	39121408
UNSPSC 13.2	39121408

Approvals

Approvals

Approvals

EAC

Ex Approvals

Approvals submitted

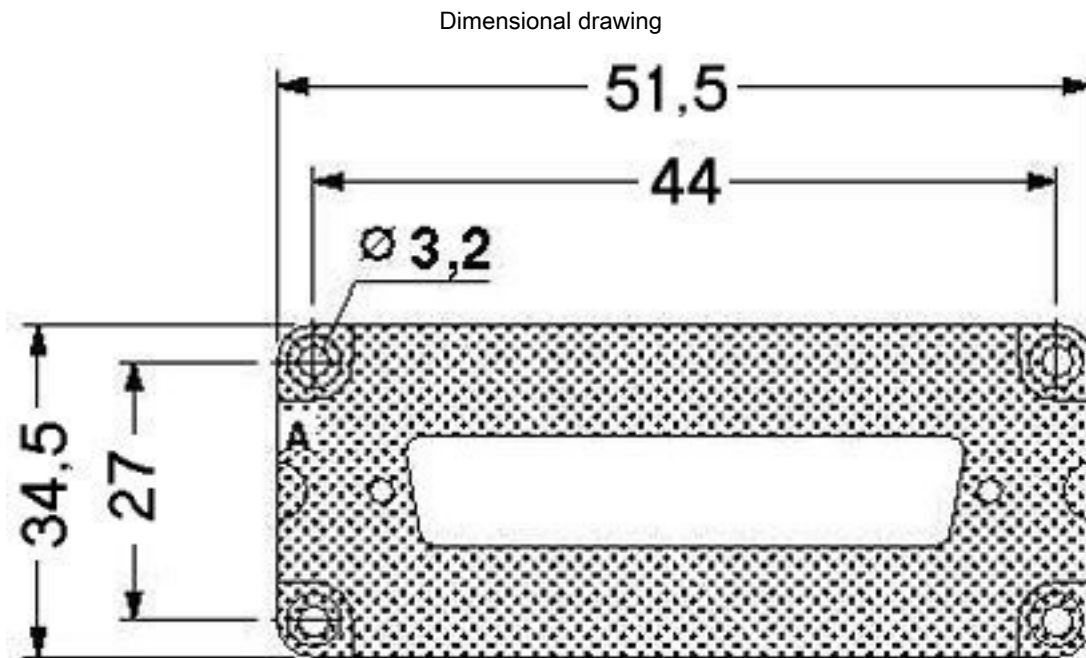
Adapter plate - HC-B 6-ADP/1 DSUB 9 - 1775457

Approvals

Approval details

EAC

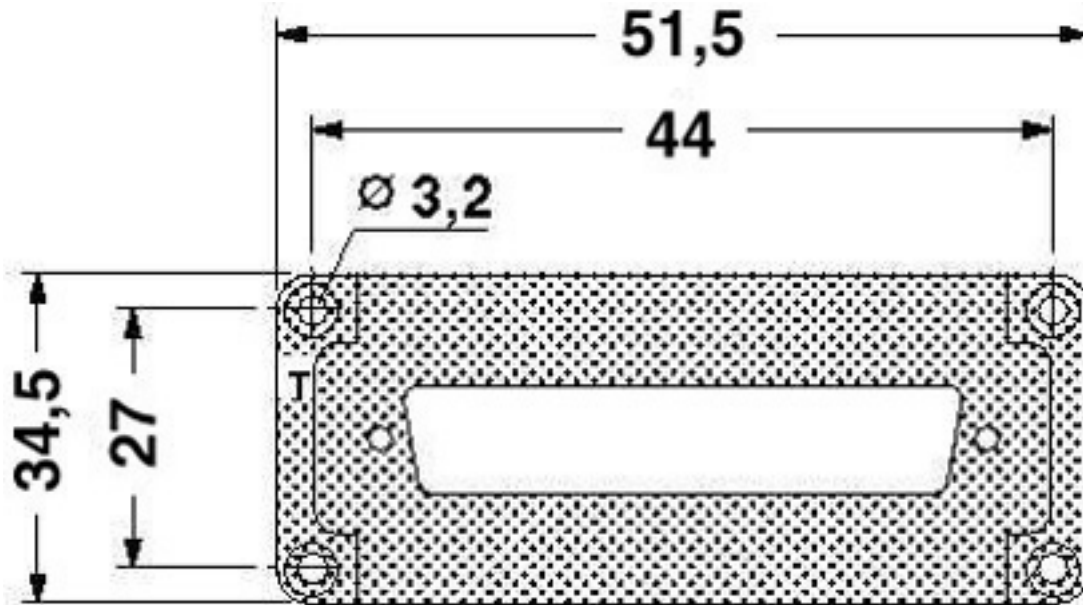
Drawings



See assembly instruction

Adapter plate - HC-B 6-ADP/1 DSUB 9 - 1775457

Dimensional drawing



See assembly instruction

Mouser Electronics

Authorized Distributor

Click to View Pricing, Inventory, Delivery & Lifecycle Information:

[Phoenix Contact:](#)

[1775457](#)