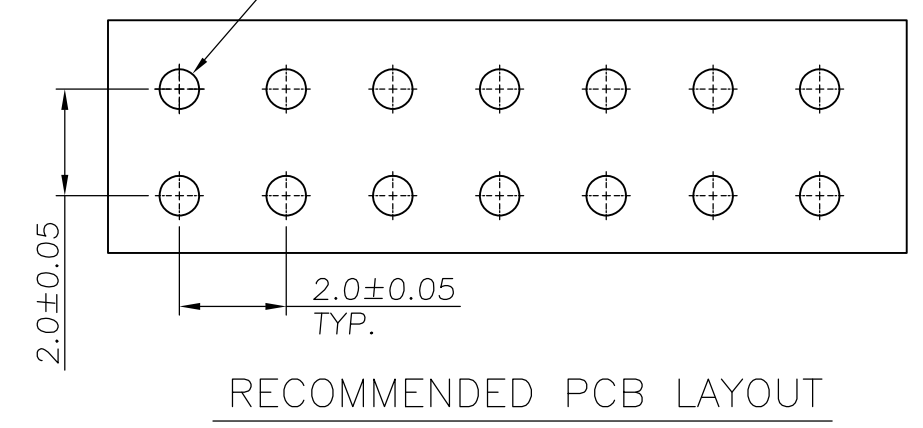
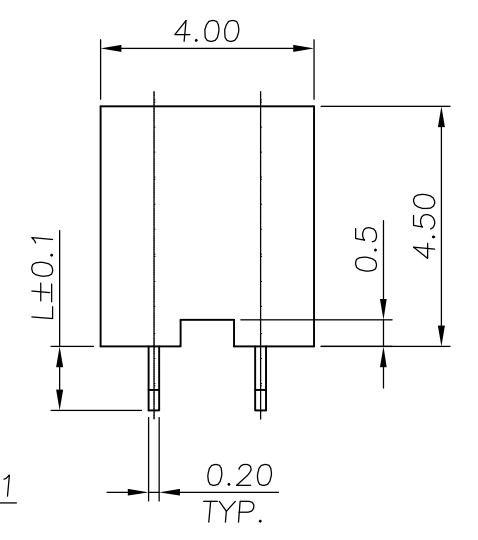
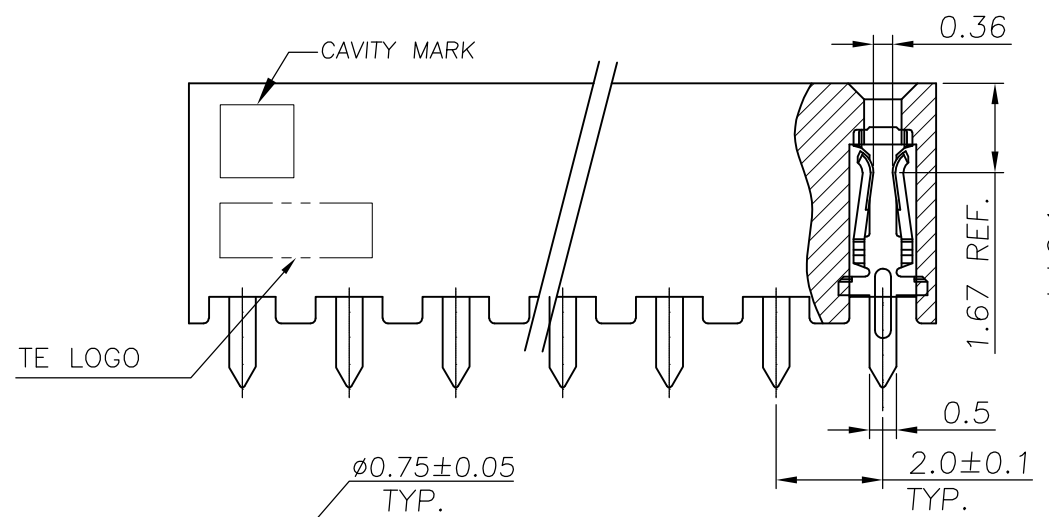
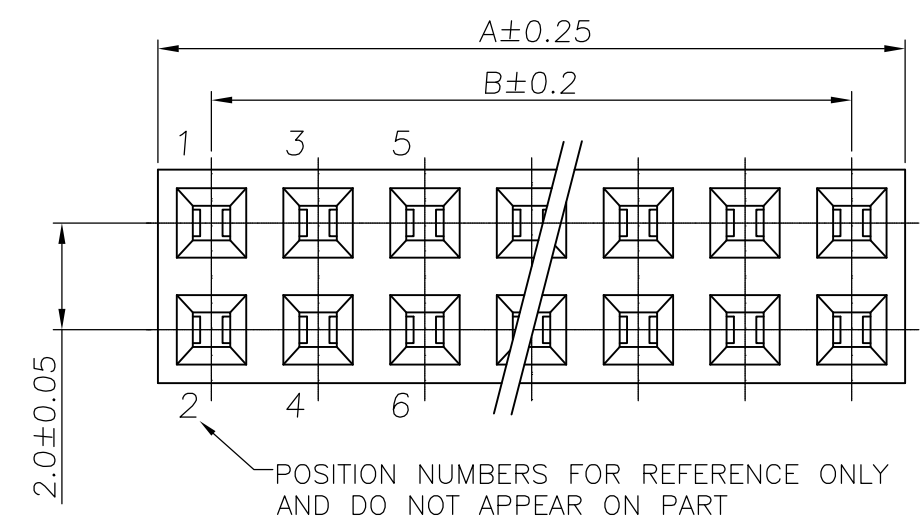
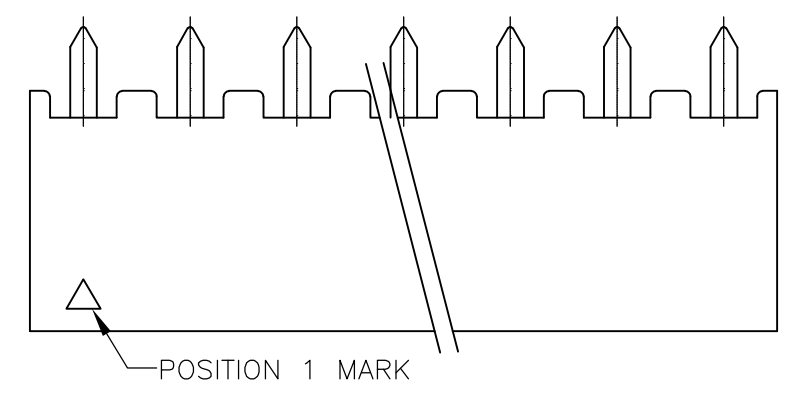


THIS DRAWING IS UNPUBLISHED  
 RELEASED FOR PUBLICATION NOV, 2001.  
 ALL RIGHTS RESERVED.  
 © COPYRIGHT 2009 By -

| LOC | DIST | REVISIONS   |               |         |        |
|-----|------|-------------|---------------|---------|--------|
| P   | LTR  | DESCRIPTION | DATE          | DWN     | APVD   |
| IR  | -    | E3          | ECR-10-026537 | 27JUN11 | KK HMR |

- NOTE:
- 1 MATERIAL :  
HOUSING : NYLON 66 OR EQUIVALENT, UL94V-0, BLACK COLOUR.  
CONTACT : COPPER ALLOY
  - 2 FINISH:  
CONTACT : GOLD PLATED (SEE TABLE) ON CONTACT AREA  
80μ" MIN. TIN PLATED ON SOLDER TAIL,  
50μ" MIN. NICKEL UNDERPLATED ALL OVER.
3. APPLICATION :  
SOLDERTAIL LENGTH 2.6 FOR PCB THICKNESS 1.6±0.1  
1.2 FOR PCB THICKNESS 0.3 MAX.
  4. KEYING POS. : HOUSING CAVITY MOLDED SHUT
  5. QUALIFICATION TEST REPORT: 501-57197



| OBsolete | 6 | 40 | 38 | 40 | 9 | 9 | OBsolete | 6 | 40 | 38 | 40 | 4 | 4 | 9 |
|----------|---|----|----|----|---|---|----------|---|----|----|----|---|---|---|
| OBsolete |   | 50 | 48 | 50 | 9 | 8 |          |   | 50 | 48 | 50 | 4 | 4 | 8 |
| OBsolete |   | 48 | 46 | 48 | 9 | 7 |          |   | 48 | 46 | 48 | 4 | 4 | 7 |
| OBsolete |   | 46 | 44 | 46 | 9 | 6 |          |   | 46 | 44 | 46 | 4 | 4 | 6 |
| OBsolete |   | 44 | 42 | 44 | 9 | 5 |          |   | 44 | 42 | 44 | 4 | 4 | 5 |
| OBsolete |   | 42 | 40 | 42 | 9 | 4 |          |   | 42 | 40 | 42 | 4 | 4 | 4 |
| OBsolete |   | 40 | 38 | 40 | 9 | 3 |          |   | 40 | 38 | 40 | 4 | 4 | 3 |
| OBsolete |   | 38 | 36 | 38 | 9 | 2 |          |   | 38 | 36 | 38 | 4 | 4 | 2 |
| OBsolete |   | 36 | 34 | 36 | 9 | 1 |          |   | 36 | 34 | 36 | 4 | 4 | 1 |
| OBsolete |   | 34 | 32 | 34 | 9 | 0 |          |   | 34 | 32 | 34 | 4 | 4 | 0 |
| OBsolete |   | 32 | 30 | 32 | 8 | 9 |          |   | 32 | 30 | 32 | 3 | 3 | 9 |
| OBsolete |   | 30 | 28 | 30 | 8 | 8 |          |   | 30 | 28 | 30 | 3 | 3 | 8 |
| OBsolete |   | 28 | 26 | 28 | 8 | 7 |          |   | 28 | 26 | 28 | 3 | 3 | 7 |
| OBsolete |   | 26 | 24 | 26 | 8 | 6 |          |   | 26 | 24 | 26 | 3 | 3 | 6 |
| OBsolete |   | 24 | 22 | 24 | 8 | 5 |          |   | 24 | 22 | 24 | 3 | 3 | 5 |
| OBsolete |   | 22 | 20 | 22 | 8 | 4 |          |   | 22 | 20 | 22 | 3 | 3 | 4 |
| OBsolete |   | 20 | 18 | 20 | 8 | 3 |          |   | 20 | 18 | 20 | 3 | 3 | 3 |
| OBsolete |   | 18 | 16 | 18 | 8 | 2 |          |   | 18 | 16 | 18 | 3 | 3 | 2 |
| OBsolete |   | 16 | 14 | 16 | 8 | 1 |          |   | 16 | 14 | 16 | 3 | 3 | 1 |
| OBsolete |   | 14 | 12 | 14 | 8 | 0 |          |   | 14 | 12 | 14 | 3 | 3 | 0 |
| OBsolete |   | 12 | 10 | 12 | 7 | 9 |          |   | 12 | 10 | 12 | 2 | 2 | 9 |
| OBsolete |   | 10 | 8  | 10 | 7 | 8 |          |   | 10 | 8  | 10 | 2 | 2 | 8 |
| OBsolete |   | 8  | 6  | 8  | 7 | 7 |          |   | 8  | 6  | 8  | 2 | 2 | 7 |
| OBsolete |   | 6  | 4  | 6  | 7 | 6 |          |   | 6  | 4  | 6  | 2 | 2 | 6 |
| OBsolete |   | 4  | 2  | 4  | 7 | 5 |          |   | 4  | 2  | 4  | 2 | 2 | 5 |
| OBsolete |   | 50 | 48 | 50 | 7 | 4 |          |   | 50 | 48 | 50 | 2 | 2 | 4 |
| OBsolete |   | 48 | 46 | 48 | 7 | 3 |          |   | 48 | 46 | 48 | 2 | 2 | 3 |
| OBsolete |   | 46 | 44 | 46 | 7 | 2 |          |   | 46 | 44 | 46 | 2 | 2 | 2 |
| OBsolete |   | 44 | 42 | 44 | 7 | 1 |          |   | 44 | 42 | 44 | 2 | 2 | 1 |
| OBsolete |   | 42 | 40 | 42 | 7 | 0 |          |   | 42 | 40 | 42 | 2 | 2 | 0 |
| OBsolete |   | 40 | 38 | 40 | 6 | 9 |          |   | 40 | 38 | 40 | 1 | 1 | 9 |
| OBsolete |   | 38 | 36 | 38 | 6 | 8 |          |   | 38 | 36 | 38 | 1 | 1 | 8 |
| OBsolete |   | 36 | 34 | 36 | 6 | 7 |          |   | 36 | 34 | 36 | 1 | 1 | 7 |
| OBsolete |   | 34 | 32 | 34 | 6 | 6 |          |   | 34 | 32 | 34 | 1 | 1 | 6 |
| OBsolete |   | 32 | 30 | 32 | 6 | 5 |          |   | 32 | 30 | 32 | 1 | 1 | 5 |
| OBsolete |   | 30 | 28 | 30 | 6 | 4 |          |   | 30 | 28 | 30 | 1 | 1 | 4 |
| OBsolete |   | 28 | 26 | 28 | 6 | 3 |          |   | 28 | 26 | 28 | 1 | 1 | 3 |
| OBsolete |   | 26 | 24 | 26 | 6 | 2 |          |   | 26 | 24 | 26 | 1 | 1 | 2 |
| OBsolete |   | 24 | 22 | 24 | 6 | 1 |          |   | 24 | 22 | 24 | 1 | 1 | 1 |
| OBsolete |   | 22 | 20 | 22 | 6 | 0 |          |   | 22 | 20 | 22 | 1 | 1 | 0 |
| OBsolete |   | 20 | 18 | 20 | 5 | 9 |          |   | 20 | 18 | 20 |   |   | 9 |
| OBsolete |   | 18 | 16 | 18 | 5 | 8 |          |   | 18 | 16 | 18 |   |   | 8 |
| OBsolete |   | 16 | 14 | 16 | 5 | 7 |          |   | 16 | 14 | 16 |   |   | 7 |
| OBsolete |   | 14 | 12 | 14 | 5 | 6 |          |   | 14 | 12 | 14 |   |   | 6 |
| OBsolete |   | 12 | 10 | 12 | 5 | 5 |          |   | 12 | 10 | 12 |   |   | 5 |
| OBsolete |   | 10 | 8  | 10 | 5 | 4 |          |   | 10 | 8  | 10 |   |   | 4 |
| OBsolete |   | 8  | 6  | 8  | 5 | 3 |          |   | 8  | 6  | 8  |   |   | 3 |
| OBsolete |   | 6  | 4  | 6  | 5 | 2 |          |   | 6  | 4  | 6  |   |   | 2 |
| OBsolete |   | 4  | 2  | 4  | 5 | 1 |          |   | 4  | 2  | 4  |   |   | 1 |

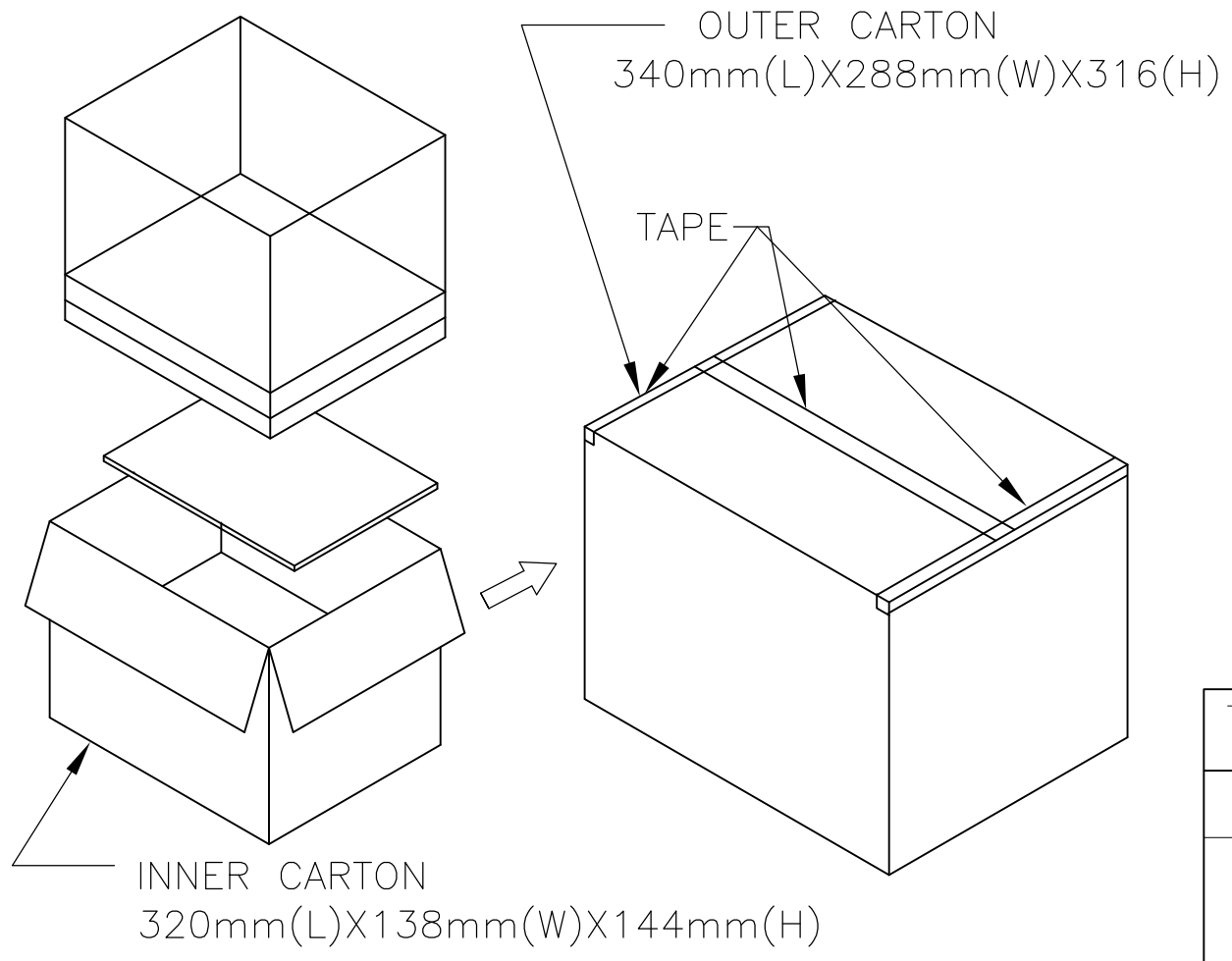
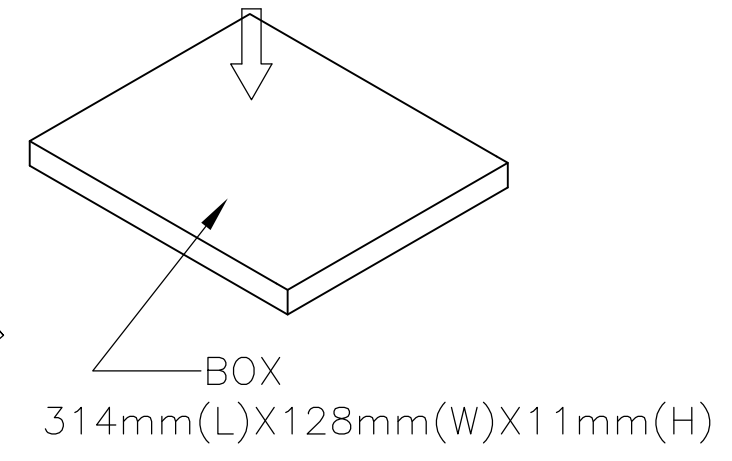
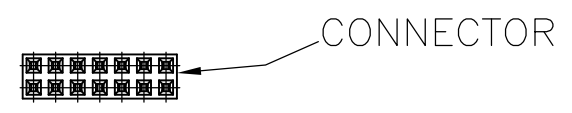
THIS DRAWING IS A CONTROLLED DOCUMENT.

|                  |           |              |  |
|------------------|-----------|--------------|--|
| DWN              | O.HU      | 30-NOV-2001  | TE Connectivity<br>AMPMODU 2.0mm PITCH REC<br>CONN,VERTICAL MOUNT TYPE |
| CHK              | J.CHENG   | 30-NOV-2001  |  |
| APVD             | J.WU      | 30-NOV-2001  |  |
| PRODUCT SPEC     | 108-57197 |              |  |
| APPLICATION SPEC | -         |              | RESTRICTED TO  |
| WEIGHT           | -         | A3           | SCALE 1:1  |
| CUSTOMER DRAWING |           | SHEET 1 OF 2 | REV E3   |

THIS DRAWING IS UNPUBLISHED  
 © COPYRIGHT 2009 By -  
 ALL RIGHTS RESERVED.

RELEASED FOR PUBLICATION  
 NOV , 2001.

| LOC | DIST | REVISIONS   |      |     |      |
|-----|------|-------------|------|-----|------|
| P   | LTR  | DESCRIPTION | DATE | DWN | APVD |
|     | -    | SEE SHEET 1 | -    | -   | -    |



| QTY      | DESCRIPTION | LOC   | DIST  | DATE | DWN | APVD      |    |
|----------|-------------|-------|-------|------|-----|-----------|----|
| OBSOLETE | 5040        | 1260  | 105   | 40   | 9-  | -9        |    |
|          | 4320        | 1080  | 90    | 50   | 9-  | -8        |    |
| OBSOLETE | 4320        | 1080  | 90    | 48   | 9-  | -7        |    |
| OBSOLETE | 4320        | 1080  | 90    | 46   | 9-  | -6        |    |
| OBSOLETE | 4320        | 1080  | 90    | 44   | 9-  | -5        |    |
| OBSOLETE | 5040        | 1260  | 105   | 42   | 9-  | -4        |    |
|          | 5040        | 1260  | 105   | 40   | 9-  | -3        |    |
| OBSOLETE | 5040        | 1260  | 105   | 38   | 9-  | -2        |    |
| OBSOLETE | 5760        | 1440  | 120   | 36   | 9-  | -1        |    |
| OBSOLETE | 5760        | 1440  | 120   | 34   | 9-  | 0         |    |
| OBSOLETE | 6480        | 1620  | 135   | 32   | 8-  | -9        |    |
|          | 7200        | 1800  | 150   | 30   | 8-  | -8        |    |
| OBSOLETE | 2.6±0.1     | 7200  | 1800  | 150  | 28  | 8-        | -7 |
| OBSOLETE |             | 7920  | 1980  | 165  | 26  | 8-        | -6 |
| OBSOLETE |             | 8640  | 2160  | 180  | 24  | 8-        | -5 |
| OBSOLETE |             | 9360  | 2340  | 195  | 22  | 8-        | -4 |
|          |             | 10080 | 2520  | 210  | 20  | 8-        | -3 |
| OBSOLETE |             | 11520 | 2880  | 240  | 18  | 8-        | -2 |
| OBSOLETE |             | 12960 | 3240  | 270  | 16  | 8-        | -1 |
| OBSOLETE |             | 15120 | 3780  | 315  | 14  | 8-        | 0  |
|          |             | 17280 | 4320  | 360  | 12  | 7-        | -9 |
|          |             | 20880 | 5220  | 435  | 10  | 7-        | -8 |
| OBSOLETE |             | 26640 | 6660  | 555  | 8   | 7-        | -7 |
|          |             | 35280 | 8820  | 735  | 6   | 7-        | -6 |
| OBSOLETE |             | 51840 | 12960 | 1080 | 4   | 7-1470209 | -5 |
|          |             | 4320  | 1080  | 90   | 50  | 7-        | -4 |
|          |             | 4320  | 1080  | 90   | 48  | 7-        | -3 |
|          |             | 4320  | 1080  | 90   | 46  | 7-        | -2 |
|          |             | 4320  | 1080  | 90   | 44  | 7-        | -1 |
|          |             | 5040  | 1260  | 105  | 42  | 7-        | 0  |
|          |             | 5040  | 1260  | 105  | 40  | 6-        | -9 |
|          |             | 5040  | 1260  | 105  | 38  | 6-        | -8 |
|          |             | 5760  | 1440  | 120  | 36  | 6-        | -7 |
|          |             | 5760  | 1440  | 120  | 34  | 6-        | -6 |
|          |             | 6480  | 1620  | 135  | 32  | 6-        | -5 |
|          |             | 7200  | 1800  | 150  | 30  | 6-        | -4 |
|          |             | 7200  | 1800  | 150  | 28  | 6-        | -3 |
|          |             | 7920  | 1980  | 165  | 26  | 6-        | -2 |
|          |             | 8640  | 2160  | 180  | 24  | 6-        | -1 |
|          |             | 9360  | 2340  | 195  | 22  | 6-        | 0  |
|          |             | 10080 | 2520  | 210  | 20  | 5-        | -9 |
|          |             | 11520 | 2880  | 240  | 18  | 5-        | -8 |
|          |             | 12960 | 3240  | 270  | 16  | 5-        | -7 |
|          |             | 15120 | 3780  | 315  | 14  | 5-        | -6 |
|          |             | 17280 | 4320  | 360  | 12  | 5-        | -5 |
|          |             | 20880 | 5220  | 435  | 10  | 5-        | -4 |
|          |             | 26640 | 6660  | 555  | 8   | 5-        | -3 |
|          |             | 35280 | 8820  | 735  | 6   | 5-        | -2 |
| OBSOLETE |             | 51840 | 12960 | 1080 | 4   | 5-1470209 | -1 |

| QTY      | DESCRIPTION | LOC   | DIST  | DATE | DWN | APVD      |    |
|----------|-------------|-------|-------|------|-----|-----------|----|
| OBSOLETE | 5040        | 1260  | 105   | 40   | 4-  | -9        |    |
|          | 4320        | 1080  | 90    | 50   | 4-  | -8        |    |
| OBSOLETE | 4320        | 1080  | 90    | 48   | 4-  | -7        |    |
| OBSOLETE | 4320        | 1080  | 90    | 46   | 4-  | -6        |    |
|          | 4320        | 1080  | 90    | 44   | 4-  | -5        |    |
| OBSOLETE | 5040        | 1260  | 105   | 42   | 4-  | -4        |    |
|          | 5040        | 1260  | 105   | 40   | 4-  | -3        |    |
| OBSOLETE | 5040        | 1260  | 105   | 38   | 4-  | -2        |    |
| OBSOLETE | 5760        | 1440  | 120   | 36   | 4-  | -1        |    |
| OBSOLETE | 5760        | 1440  | 120   | 34   | 4-  | 0         |    |
| OBSOLETE | 6480        | 1620  | 135   | 32   | 3-  | -9        |    |
|          | 7200        | 1800  | 150   | 30   | 3-  | -8        |    |
| OBSOLETE | 2.6±0.1     | 7200  | 1800  | 150  | 28  | 3-        | -7 |
| OBSOLETE |             | 7920  | 1980  | 165  | 26  | 3-        | -6 |
| OBSOLETE |             | 8640  | 2160  | 180  | 24  | 3-        | -5 |
| OBSOLETE |             | 9360  | 2340  | 195  | 22  | 3-        | -4 |
|          |             | 10080 | 2520  | 210  | 20  | 3-        | -3 |
| OBSOLETE |             | 11520 | 2880  | 240  | 18  | 3-        | -2 |
| OBSOLETE |             | 12960 | 3240  | 270  | 16  | 3-        | -1 |
| OBSOLETE |             | 15120 | 3780  | 315  | 14  | 3-        | 0  |
|          |             | 17280 | 4320  | 360  | 12  | 2-        | -9 |
|          |             | 20880 | 5220  | 435  | 10  | 2-        | -8 |
| OBSOLETE |             | 26640 | 6660  | 555  | 8   | 2-        | -7 |
|          |             | 35280 | 8820  | 735  | 6   | 2-        | -6 |
| OBSOLETE |             | 51840 | 12960 | 1080 | 4   | 2-1470209 | -5 |
|          |             | 4320  | 1080  | 90   | 50  | 2-        | -4 |
|          |             | 4320  | 1080  | 90   | 48  | 2-        | -3 |
|          |             | 4320  | 1080  | 90   | 46  | 2-        | -2 |
|          |             | 4320  | 1080  | 90   | 44  | 2-        | -1 |
|          |             | 5040  | 1260  | 105  | 42  | 2-        | 0  |
|          |             | 5040  | 1260  | 105  | 40  | 1-        | -9 |
|          |             | 5040  | 1260  | 105  | 38  | 1-        | -8 |
|          |             | 5760  | 1440  | 120  | 36  | 1-        | -7 |
|          |             | 5760  | 1440  | 120  | 34  | 1-        | -6 |
|          |             | 6480  | 1620  | 135  | 32  | 1-        | -5 |
|          |             | 7200  | 1800  | 150  | 30  | 1-        | -4 |
|          |             | 7200  | 1800  | 150  | 28  | 1-        | -3 |
|          |             | 7920  | 1980  | 165  | 26  | 1-        | -2 |
|          |             | 8640  | 2160  | 180  | 24  | 1-        | -1 |
|          |             | 9360  | 2340  | 195  | 22  | 1-        | 0  |
|          |             | 10080 | 2520  | 210  | 20  |           | -9 |
|          |             | 11520 | 2880  | 240  | 18  |           | -8 |
|          |             | 12960 | 3240  | 270  | 16  |           | -7 |
|          |             | 15120 | 3780  | 315  | 14  |           | -6 |
|          |             | 17280 | 4320  | 360  | 12  |           | -5 |
|          |             | 20880 | 5220  | 435  | 10  |           | -4 |
|          |             | 26640 | 6660  | 555  | 8   |           | -3 |
|          |             | 35280 | 8820  | 735  | 6   |           | -2 |
| OBSOLETE |             | 51840 | 12960 | 1080 | 4   | 1470209   | -1 |

|   |  |                               |  |                  |                         |
|---|--|-------------------------------|--|------------------|-------------------------|
| THIS DRAWING IS A CONTROLLED DOCUMENT.  |  | DWN<br>O.HU<br>30-NOV-2001    | TE Connectivity<br>AMPMODU 2.0mm PITCH REC<br>CONN,VERTICAL MOUNT TYPE |                  |                         |
| DIMENSIONS:<br>mm   |  | CHK<br>J.CHENG<br>30-NOV-2001 |  |                  |                         |
| TOLERANCES UNLESS OTHERWISE SPECIFIED:  |  | APVD<br>J.WU<br>30-NOV-2001   |  |                  |                         |
| 0 PLC ± -<br>1 PLC ± 0.15<br>2 PLC ± 0.10<br>3 PLC ± 0.05<br>4 PLC ± -<br>ANGLES ± 3' |  | NAME                          |  |                  |                         |
| MATERIAL<br>SEE SHEET 1   |  | FINISH<br>SEE SHEET 1         | PRODUCT SPEC<br>108-57197  | APPLICATION SPEC | RESTRICTED TO           |
|   |  | WEIGHT<br>-                   | SIZE<br>A3   | CAGE CODE<br>-   | DRAWING NO<br>C-1470209 |
| CUSTOMER DRAWING  |  |                               | SCALE<br>1:1   | SHEET<br>2 OF 2  | REV<br>E3               |

# Mouser Electronics

Authorized Distributor

Click to View Pricing, Inventory, Delivery & Lifecycle Information:

[TE Connectivity:](#)

[3-1470209-3](#)