

PLEASE CHECK WWW.MOLEX.COM FOR LATEST PART INFORMATION

Part Number: **0643181018**
Status: **Active**
Overview: CMC and CMX Sealed, Hybrid, Modular Connectors
Description: .635mm, 1.50mm, 2.80mm, Power CMC Connector, 28 Circuits, Left Wire Output, Gray Coding, Mat Sealed

Documents:

3D Model	Application Specification AS-98420-001-001 (PDF)
3D Model (PDF)	Application Specification AS-98420-001-CH-001 (PDF)
Drawing (PDF)	Application Specification AS-98420-001-FR-001 (PDF)
Product Specification PS-64321-001-001 (PDF)	Application Specification AS-98420-001-SP-001 (PDF)
Application Specification AS-64318-002-001 (PDF)	Packaging Specification PK-98994-001-001 (PDF)
Application Specification AS-64318-002-CH-001 (PDF)	Datasheet (PDF)
Application Specification AS-64318-002-FR-001 (PDF)	RoHS Certificate of Compliance (PDF)
Application Specification AS-64318-002-SP-001 (PDF)	

Application tooling part link

Application Tooling Part Link	63812-1100
Application Tooling Part Link	63824-1200

General

Product Family	Crimp Housings
Series	64318
Application	Automotive, Power, Wire-to-Board
Comments	* Current tested on a fully loaded connector, current for temperature increase of 40°C. Current max = 21.0A for 2.80mm Terminal (5.00mm ² wire), 12.0A for 1.50mm Terminal (2.00mm ² wire), 2.5A for 0.635mm Terminal(0.75mm ² wire) *

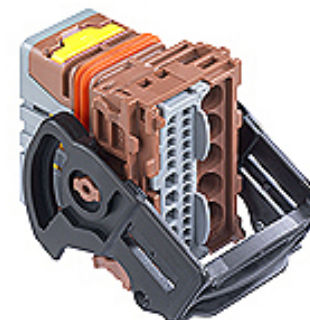
More Detailed Tech Information

Overview

Product Name	CMC and CMX Sealed, Hybrid, Modular Connectors
UPC	CMC 883906135119

Physical

Circuits (maximum)	28
Circuits Detail	5x 2.8mm, 5 x 1.5mm, 18 x 0.635mm terminals
Color - Resin	Gray
Gender	Receptacle
Glow-Wire Capable	No
Keying to Mating Part	Yes
Lock to Mating Part	Yes
Material - Resin	Polyester
Net Weight	35.290/g
Number of Rows	3
Packaging Type	Carton
Panel Mount	No
Pitch - Mating Interface	2.54mm, 3.50mm, 6.75mm
Polarized to Mating Part	Yes



Series image - Reference only

EU ELV

Compliant

EU RoHS

Compliant

REACH SVHC

Not Contained Per -
ECHA_01_2020 (16
January 2020

Halogen-Free

Status

Low-Halogen

For more information, please visit [Contact US](#)

China ROHS

ELV

RoHS Phthalates

China RoHS

Green Image

Compliant

Not Contained

Search Parts in this Series

[64318 Series](#)

Mates With

[47745](#) CMC Header Please Contact Molex for Details

Use With

Female Terminals [64322 CP 0.635](#), [64323 CP 1.5](#), [64324 CP 2.8](#) . Circuit Way Plugs, [643251010](#) , [643251023](#) , [643251091](#) . CMC Wire Cap, [643201301](#) , [643251162](#) , [643251175](#) , [643251188](#) , [643 251196](#)

Application Tooling | FAQ

Tooling specifications and manuals are found by selecting the products below. Crimp Height Specifications are then contained in the Application Tooling Specification document.

Global

Description

Product #

Continuity Test Pen Assembly	638121100
------------------------------	---------------------------

Stackable No
Temperature Range - Operating -40° to +125°C

Electrical

Current - Maximum per Contact 12.0A, 2.5A, 21.0A

Solder Process Data

Lead-free Process Capability N/A

Material Info

Reference - Drawing Numbers

Application Specification AS-64318-002-001, AS-64318-002-CH-001,
AS-64318-002-FR-001, AS-64318-002-SP-001,
AS-98420-001-001, AS-98420-001-CH-001,
AS-98420-001-FR-001, AS-98420-001-SP-001
Packaging Specification PK-98994-001-001
Product Specification PS-64321-001-001
Sales Drawing SD-64318-001

Unlocking Tool 638241200
for CMC and
CMX Receptacle
Connector

This document was generated on 04/16/2020

PLEASE CHECK WWW.MOLEX.COM FOR LATEST PART INFORMATION

Mouser Electronics

Authorized Distributor

Click to View Pricing, Inventory, Delivery & Lifecycle Information:

[Molex:](#)

[64318-1018](#)